

Sony CCD - BIPRO-E540VF



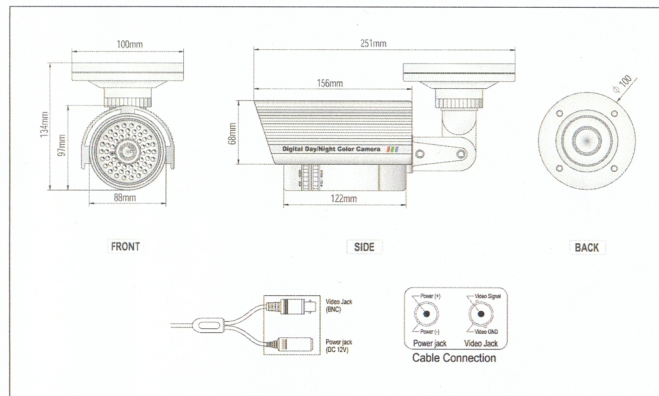
- ~ 1/3" Sony Super HAD CCD
- ~ 540 TVL Resolution
- ~ 2.8-12mm Auto Iris Lens
- ~ 56 IR LEDs Rated at 100 Feet
- ~ Dual Voltage - AC / DC

Specification

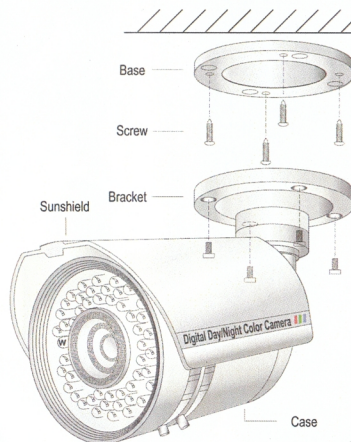
MODEL	BIPRO-E540VF
Image Pick-Up Device	1/3" SONY SUPER HAD CCD
TV System	NTSC,PAL
No of Pixels	NTSC=768(H) * 494(V) / PAL=752(H) * 582(V)
Scanning System	Z:1 Interlaca
Sync System	Internal Sync
Resolution	540TV Lines
Minimum Illumination	CDS OFF 0.1Lux / CDS ON 0Lux
S/N Ratio	More Than 46dB
CDS Sensor	Photoconductive Cells 10 Lux Resistance 5-10k ohm
Gamma Characteristic	0.45
Video Output	CVBS:1.0Vp-p75ohm
Electronic Shutter Time	NTSC=1/60 - 1/100,000 Sec / PAL=1/50 - 1/100,000 Sec
Power Supply	AC24V / DC12V Dual Voltage
Power Consumption	CDS ON:600mA Max
Lens	DC Auto Iris Varifocal Lens (2.8-12mm)
Operational Temp.	-10 Deg + 50 Deg C RH 95% Max.
Storage Temp.	-20 Deg + 60 Deg C RH 95% Max.
Dimension	100mm(W) * 134mm(H) * 251mm(D)
Weight	1500(g)

* INSTALLATION

Dimension & Cable Connection



* How to Install



* Camera Adjustment

- ① Connect Video & Power Line (AC24V / DC12V Dual Power)
- ② Please set the position where you want to connect the camera.
- ③ Loosen the locking screws and adjusting camera angle.
- ④ Combine each camera parts and lock & tight the each locking screws.