

# IR & NORMAL DOME

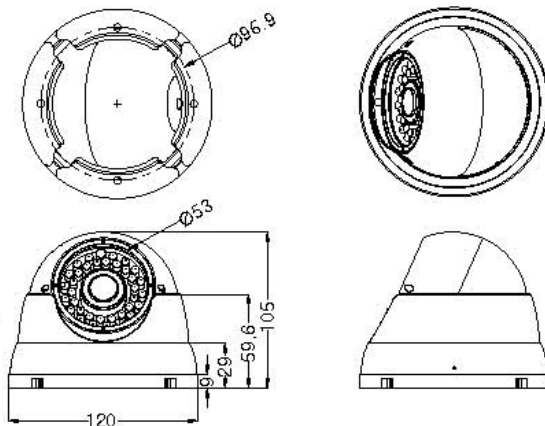
## DPRO-EC550VF2 IR Dome Camera



- 1/3" Sony Super HAD CCD II
- True Weatherproof
- Day and Night Function
- 600 TV Line Resolution
- 0 Lux at IR On
- External Zoom & Focus Control
- 2DDNR (2D Digital Noise Reduction)
- Electronic Shutter Control (ESC)



### DIMENSIONS



### SPECIFICATION

Model	DPRO-EC550VF2
Resolution	600 TV Lines
Sensor	1/3 inch SONY Super HAD CCD II
Total Pixels	811(H) × 508(V) 410K pixels (NTSC) 795(H) × 595(V) 470K pixels (PAL)
Effective Pixels	768(H) × 494(V) 380K pixels (NTSC) 752(H) × 582(V) 440K pixels (PAL)
Scanning System	2:1 Interlace
S/N (Y signal)	More than 50 dB (AGC off)
Frequency	Horizontal : 15.734KHz / Vertical : 59.94Hz (NTSC) Horizontal : 15.625KHz / Vertical : 50.00Hz (PAL)
Video Output	CVBS : 1.0Vp-p / 75ohm
Min. Illumination	0 Lux at IR On
White Balance	ATW
Electronic shutter speed	Auto (1/60 sec ~ 1/100,000 sec NTSC) (1/50 sec ~ 1/100,000 sec PAL)
O.S.D	N/A
2DDNR (2D Digital Noise Reduction)	ON
Day & Night	AUTO
Operating Temperature / Humidity	-10℃ ~ +50℃ / 30% ~ 80% RH
Storage Temperature / Humidity	-20℃ ~ +60℃ / 20% ~ 90% RH
Power	DC12V Only
LENS	Manual Varifocal Lens 2.8-12mm
LED	35 pcs