

# CCTV Camera Pros



## IP-V96112 PTZ Network Camera **PTZ X10 MPEG4/JPEG IP Camera**

---

### Quick Installation Guide

This guide describes the basic functions of  
Network Camera with Pan/Tilt/Zoom.

All detailed information is described in the user's manual.



## Warning Before Install

- ⦿ Power off the Network Camera as soon as it is found smoking or smelt unusual.



Contact your distributor when such cases happen.

- ⦿ Keep the Network Camera away from the water. If the Network Camera is wet, power off immediately.



Contact your distributor when such cases happen.

- ⦿ Do not place the Network Camera around the heat sources, such as television or oven.



- ⦿ Refer to your user's manual for the operating temperature.



- ⦿ Keep the Network Camera away from the direct sunlight.



- ⦿ Do not place the Network Camera in high humid environments.



- ⦿ Do not place the Network Camera on unsteady surfaces.



Do not touch the Network Camera when it's lightning.



© Do not disassemble the Network Camera.



© Do not drop the Network Camera.



© Do not manually pan and tilt the Network Camera when are power is on.



© Do not insert any object into the Network Camera, such as needles.



## 1. Check Package contents

- ⊙ The Network Camera (Wire or Wireless model)



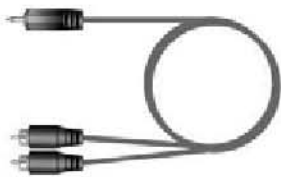
- ⊙ Power adapter



- ⊙ Camera stand



- ⊙ A/V cable



- ⊙ Antennas for wireless model only



- ⊙ Software CD

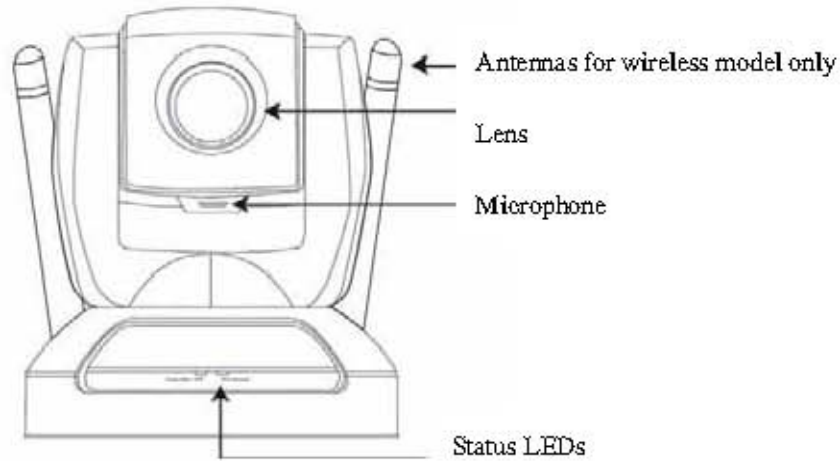


- ⊙ Remote controller

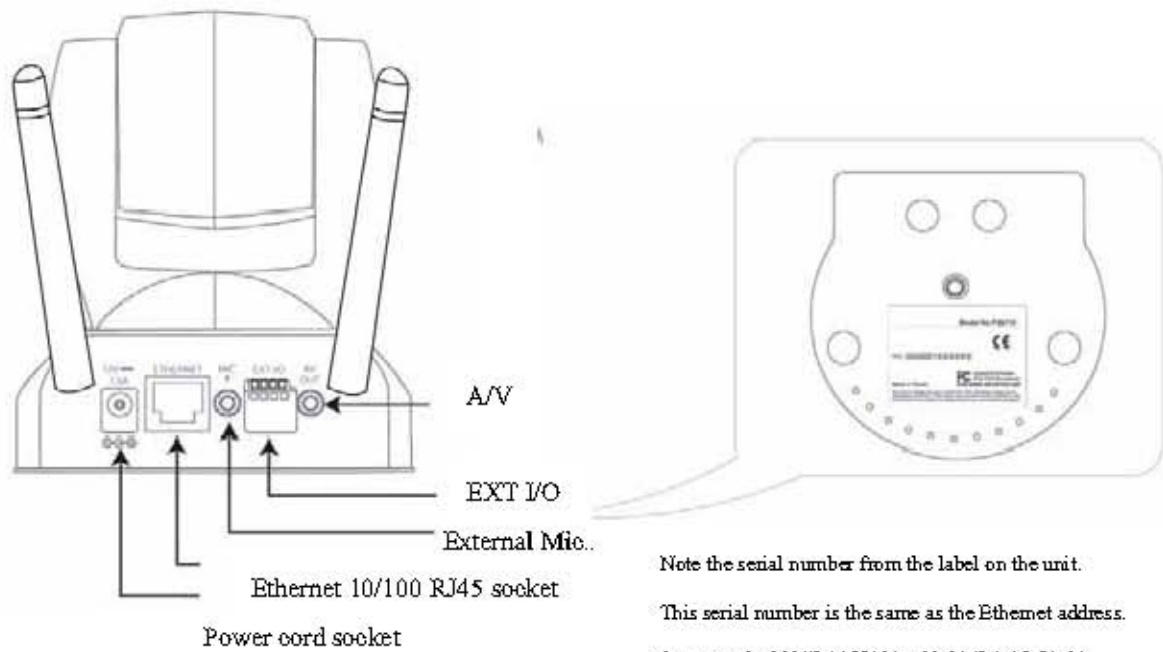


## 2. Physical description

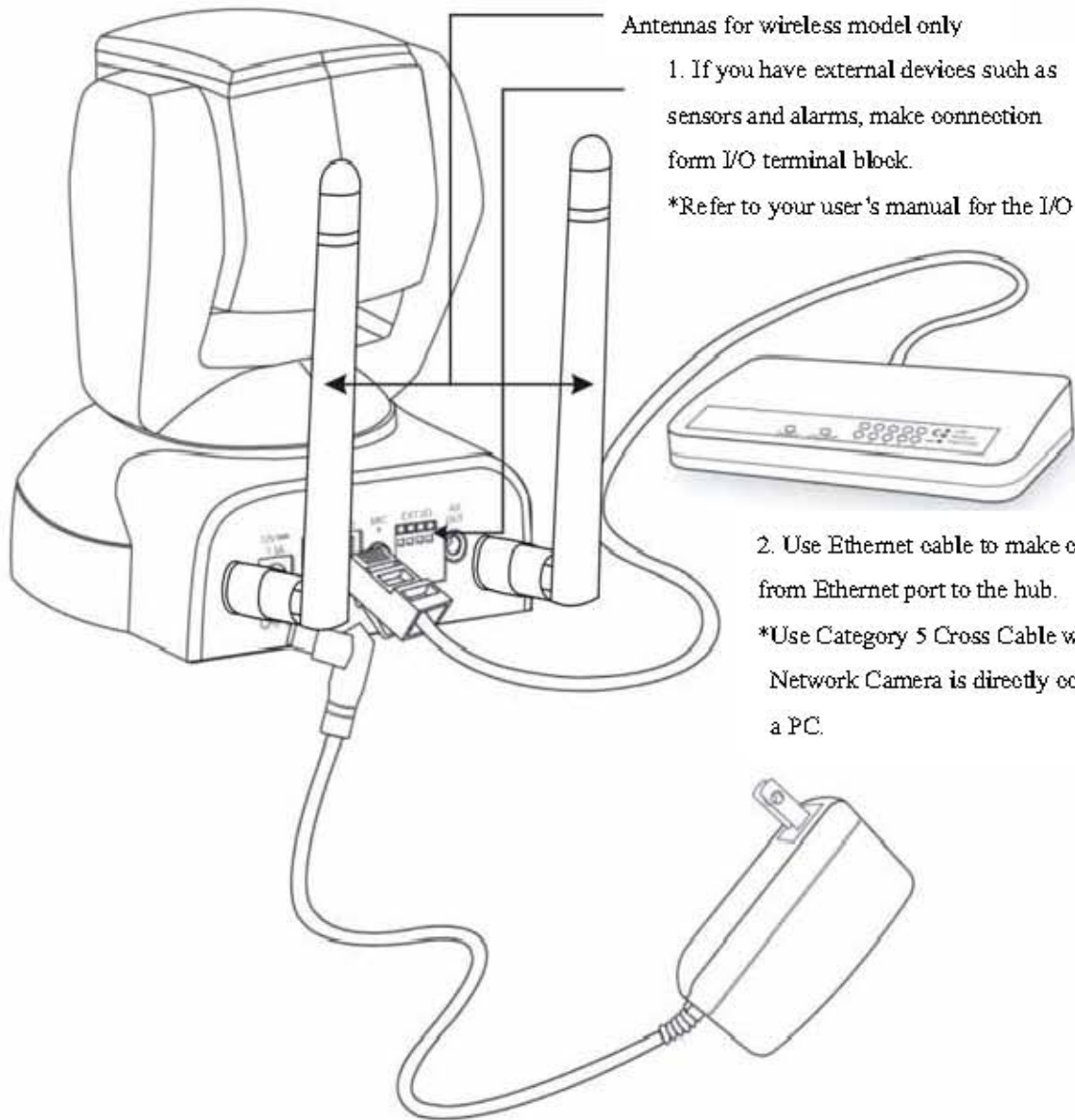
### ◎ Front panel



### ◎ Rear panel



### 3. Install your Network Camera in Ethernet network



## 4. Assign IP address

1. Run the “Installer Wizard” under the Software Utility directory from software CD.
2. The program will search the servers or cameras on the same LAN.

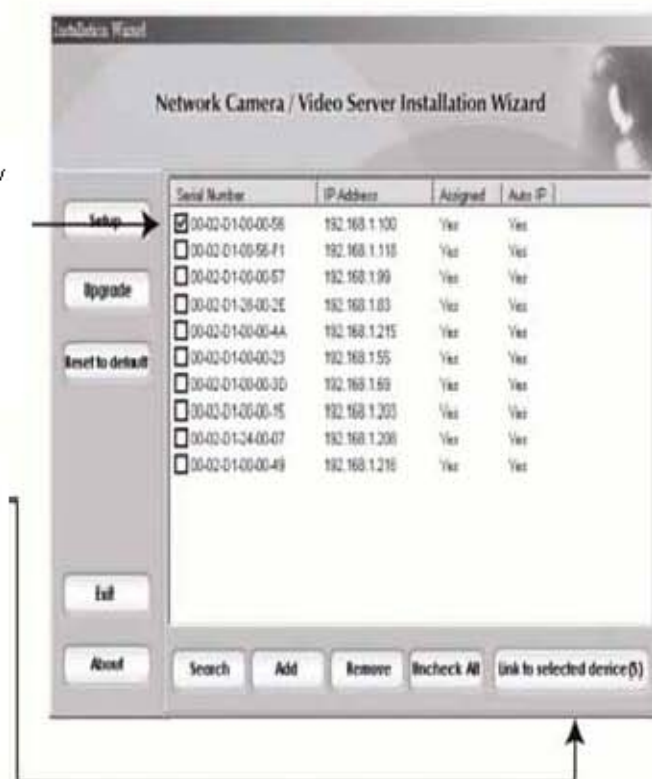


3. After searching, the main installer window will pop up. Click on serial number that matches the one you just note from

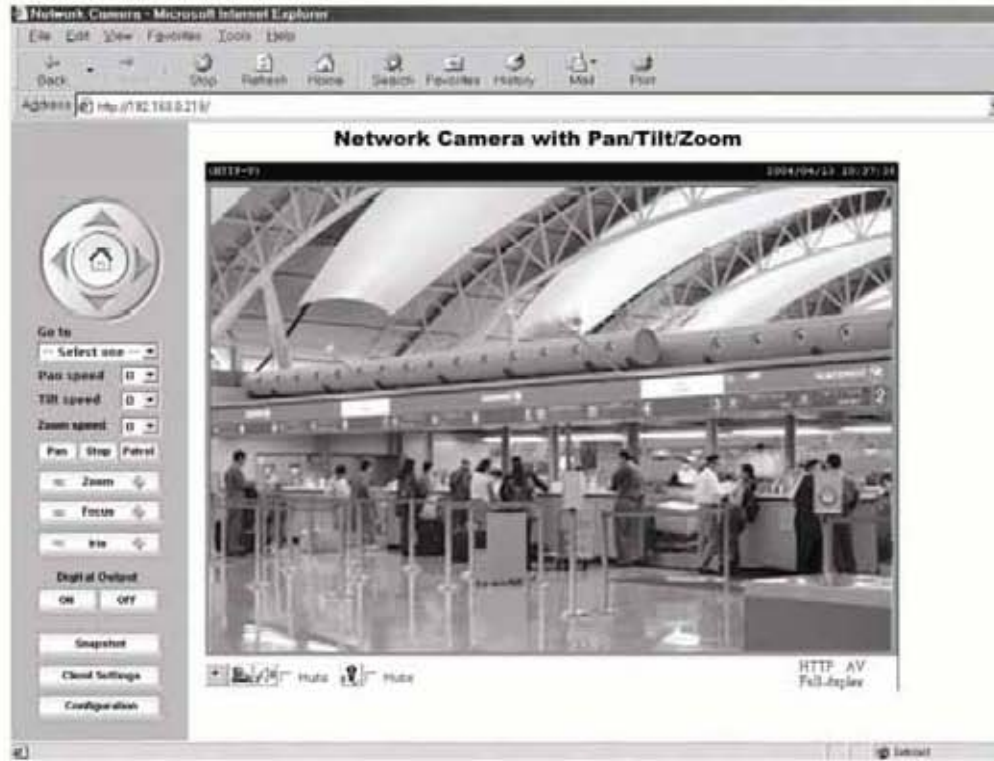
### 2. Physical description

4. Click “Link to selected device(s)” to connect the Internet Explorer to the Network Camera.

※If there is no DHCP server on the LAN, please refer to the user's manual for the methods of assigning an IP address.



## 5. The Internet Explorer Connects to the Network Camera



For setup further configuration, please check user's manual on the software CD.



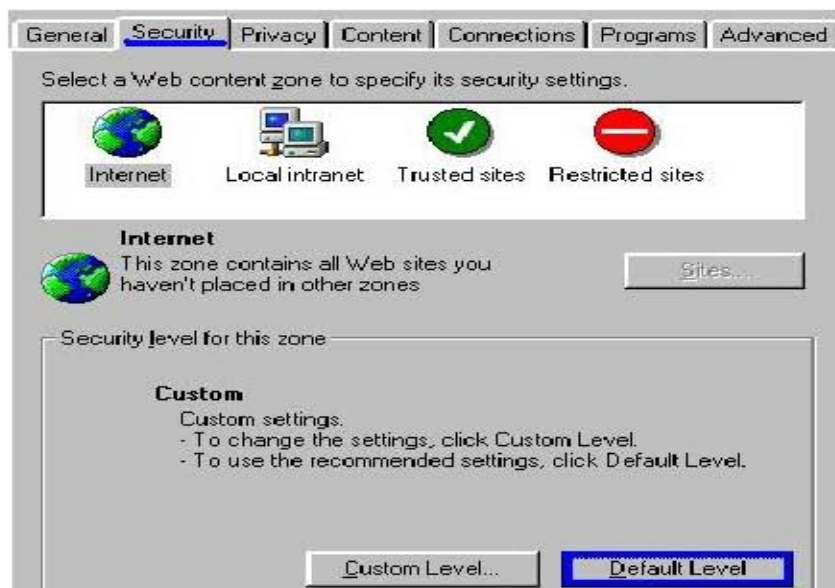
## 6. Client Settings (Windows XP/2000/Me/98SE)

At the initial access to the “Connection type” page in Windows, the web browser will ask for a new plug-in installation, the plug-in being the Network Camera. This plug-in has been registered for certification and can be used to change the parameters at the client’s site. The user may click on to install the plug-in. If the web browser does not allow the user to complete the installation, check the Internet security to lower the security level or contact your IT or networking supervisor.

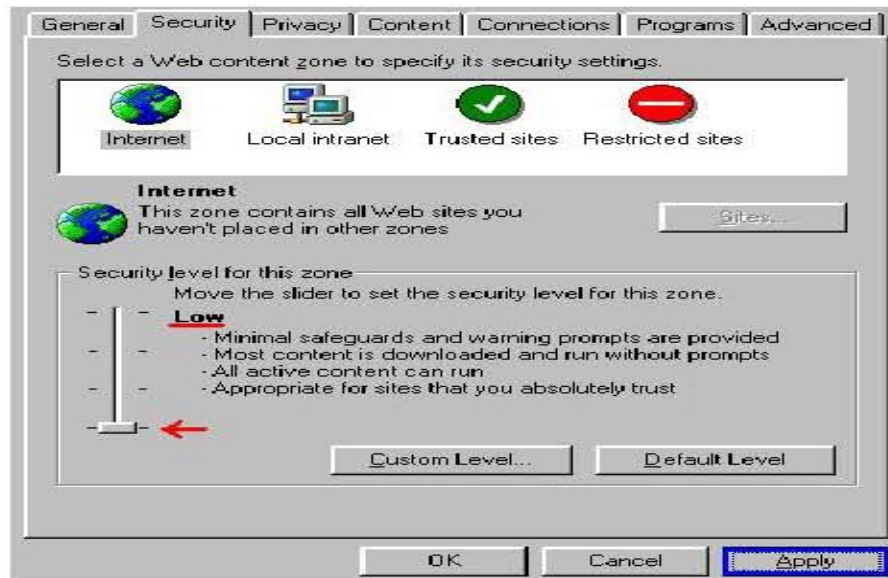
1. Initial IE browser, select function item “Tools”-> “Internet Options”



2. Security-> Default Level



3. Lower down the security level bar to "Low", and press "Apply"



4. Refresh IE Browser, a question frame will pop-up to ask for download Active-X. press "Yes".

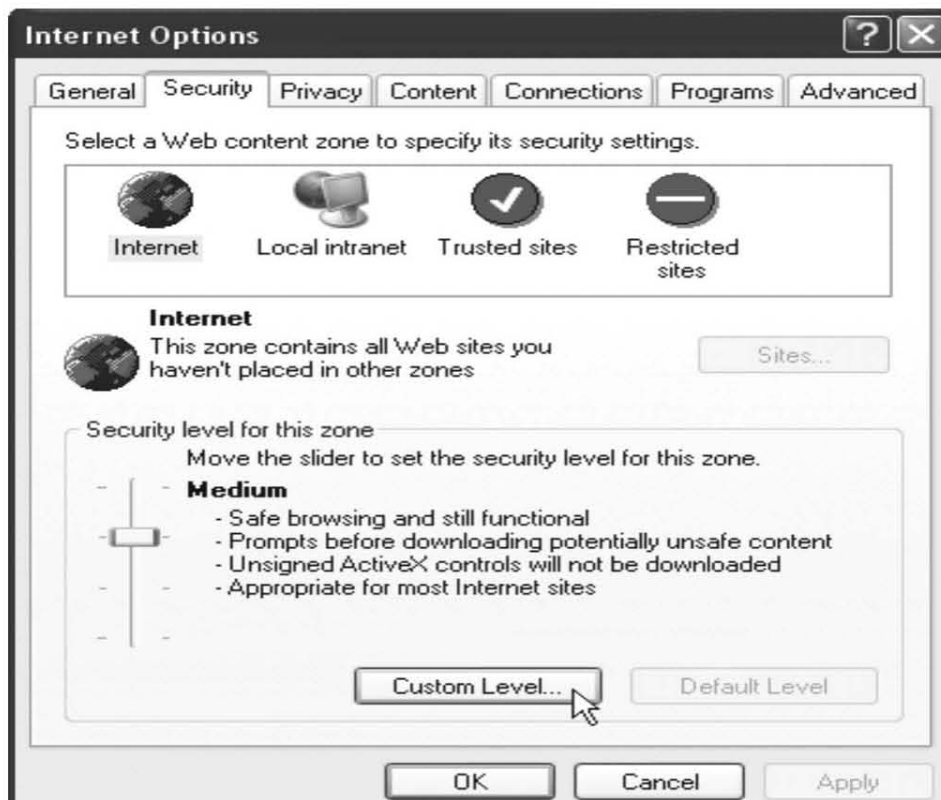


## 7. Client Settings (Windows XP SP2)

1. Initial IE browser, select function item “Tools”→ “Internet Options”



2. Security →”Custom Level”



3. Security Settings → Download unsigned ActiveX Controls set “Enable” and press “OK”



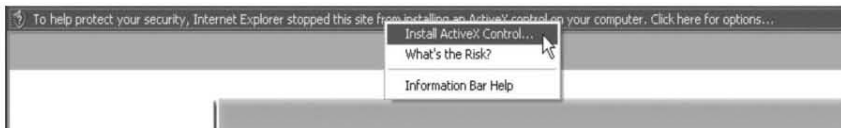
4. Press “Apply” and then “OK”



5. Key-In camera's IP address and press "OK" on Information Bar.



6. Click the blue bar under the Camera's IP address in the browser, then choose "Install ActiveX Control"



7. Recover security settings. Download unsigned ActiveX Controls set "Disable" and press "OK" and "Apply"

