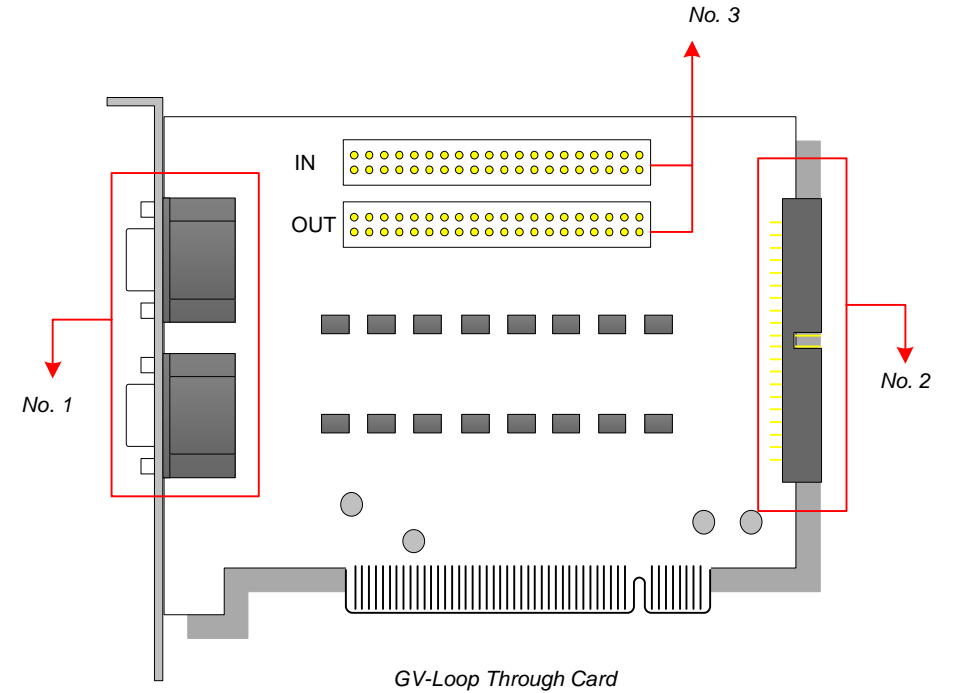
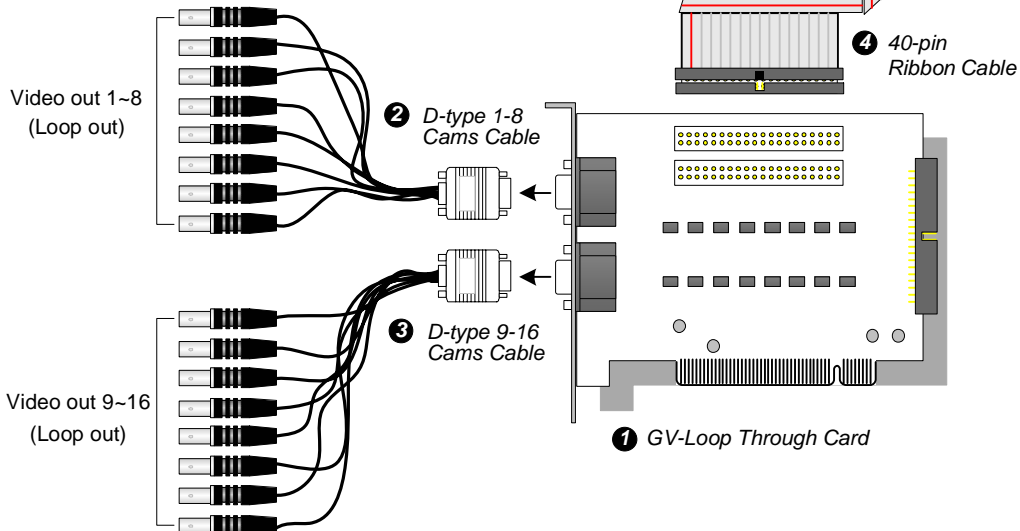
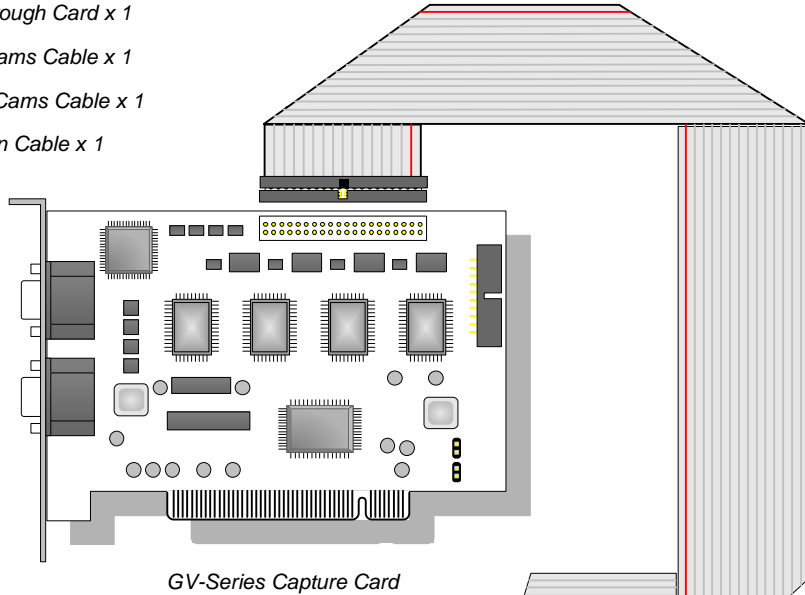


# GV-Loop Through Card

The GV-Loop Through Card is designed to take the video signal directly from the GV Capture Card, without internal device processes, and then split it into 16 signals while maintaining video quality.

## Packing List

- ❶ GV-Loop Through Card x 1
- ❷ D-type 1-8 Cams Cable x 1
- ❸ D-type 9-16 Cams Cable x 1
- ❹ 40-pin Ribbon Cable x 1



No. 1: Video OUT

No. 2: Video OUT

No. 3: Video IN/OUT (IN for GV Capture Card, OUT for DSP Card or MP2 Card.)

- Note:**
1. For No. 2 video out, an extra D-type extension card is required.
  2. Choose either No. 1 or No. 2 for video out. Using both at the same time may cause video degradation.
  3. Only connect GV series cards, such as Capture Card, DSP Card or MP2 Card, to No. 3. Other devices are prohibited.

## Specifications

GV-System Interface	2 x 40-pin connector
Output interface	2 x 15-pin D-type ports
	1 x 40-pin connector
Input Signal	16 channels
Dimensions	130 (W) x 98 (H) mm