 Please read the Operational Manual before attempting to use this product.

IP-V97142 WDR Network Camera

Operational Manual

IR Day & Night Weatherproof Color Camera with 3-AXIS Cable Management Bracket

48 IR LED



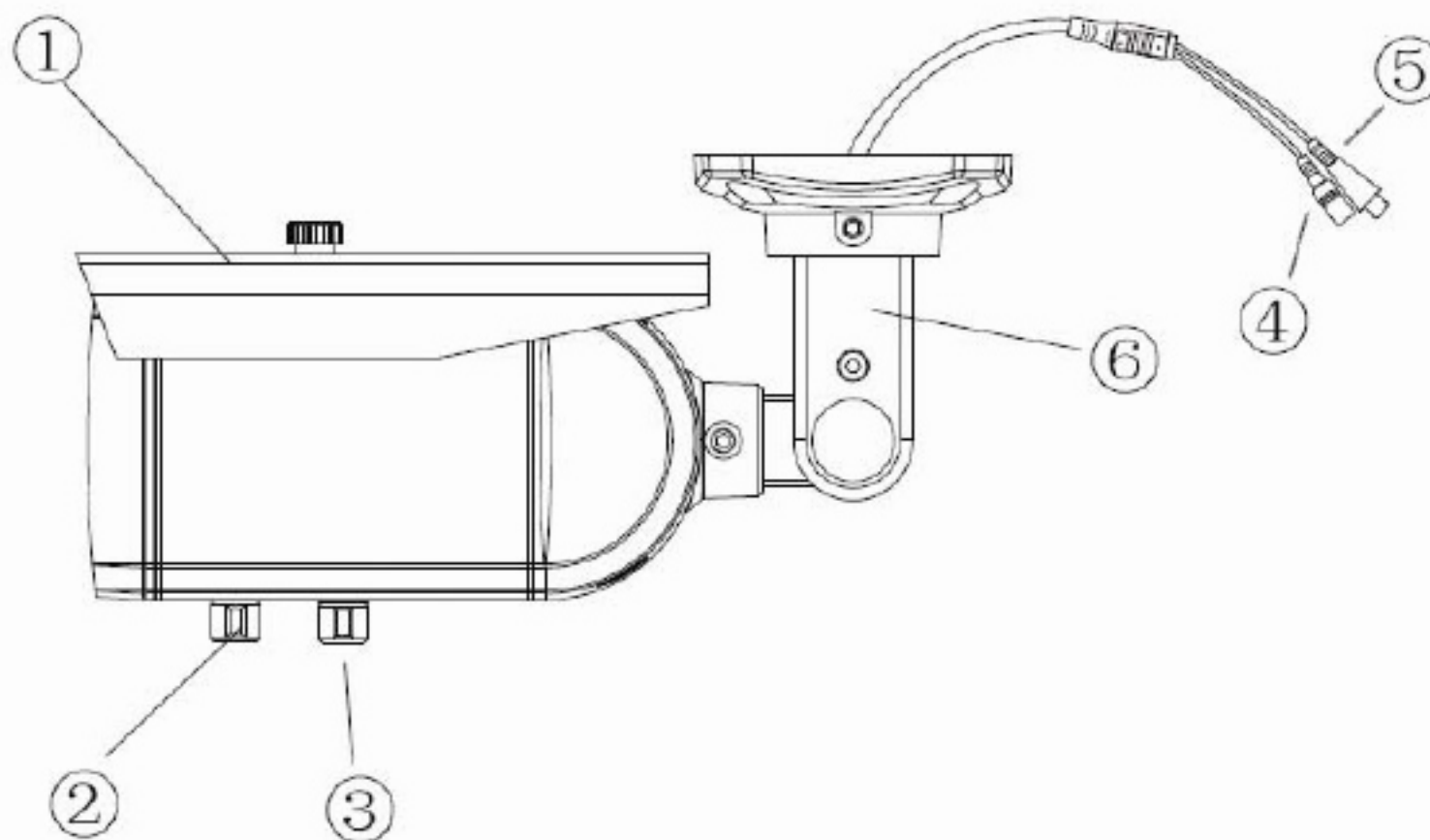
FC CE

FEATURES

EIR48X-42VF / EIR48X-42VFP

- 1/3" Sony CCD
- 420 TV Lines
- **48 IR LED**
- Aluminum Shell
- **4.0mm~9.0mm Vari-Focal Lens**
- 0 Lux @ IR "on"
- IR Distance 30~130ft / 10~40m
- Weatherproof IP65 Rating
- Power Polarity Reverse Protection
- **110mA @ IR LED "off" / 430mA @ IR LED "on"**
- 12V DC

PARTS & FUNCIONS

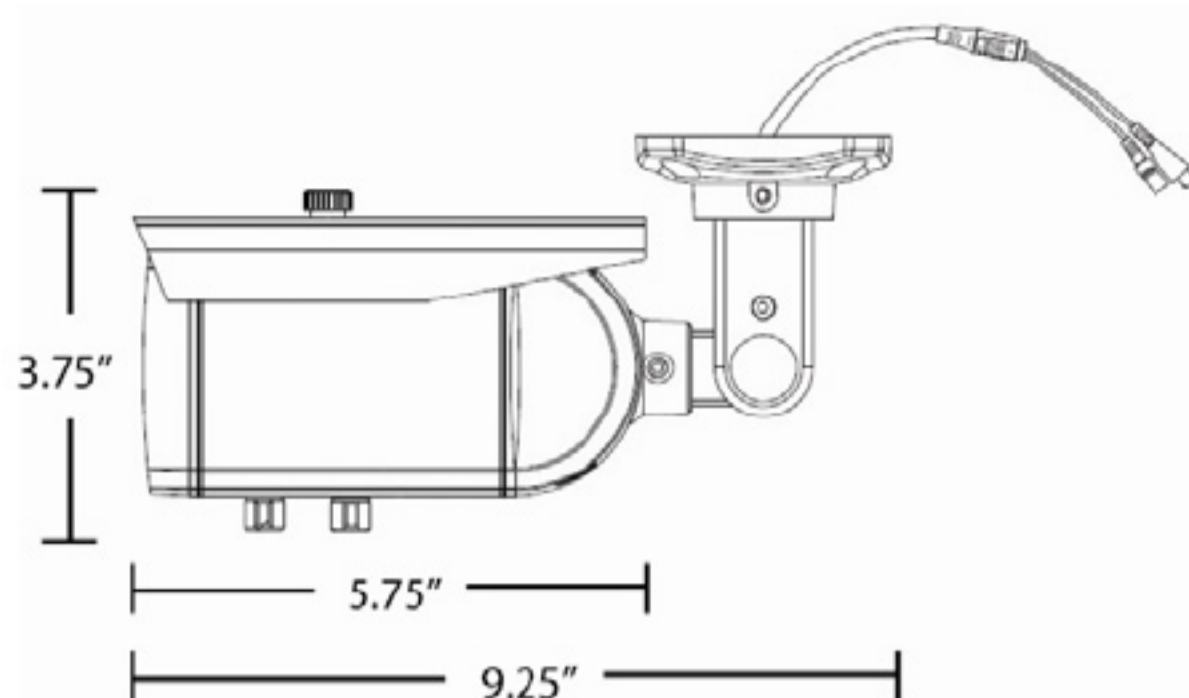


- (1) Sunshield Cover
- (2) Vari-Focal Lens Zoom Adjustment
- (3) Lens Focus Adjustment
- (4) Power In -12V DC Only
- (5) BNC Video Out
- (6) 3-AXIS Cable Management Bracket

FCC NOTICE:

This equipment has been tested and found to comply with the limits for a class A digital device, pursuant to part 15 of the FCC Rules. These limits are designed to provide reasonable protection against harmful interference when the equipment is operated in a commercial environment. This equipment generates radio frequency, and if not installed and used in accordance with the instruction manual, may cause harmful interference.

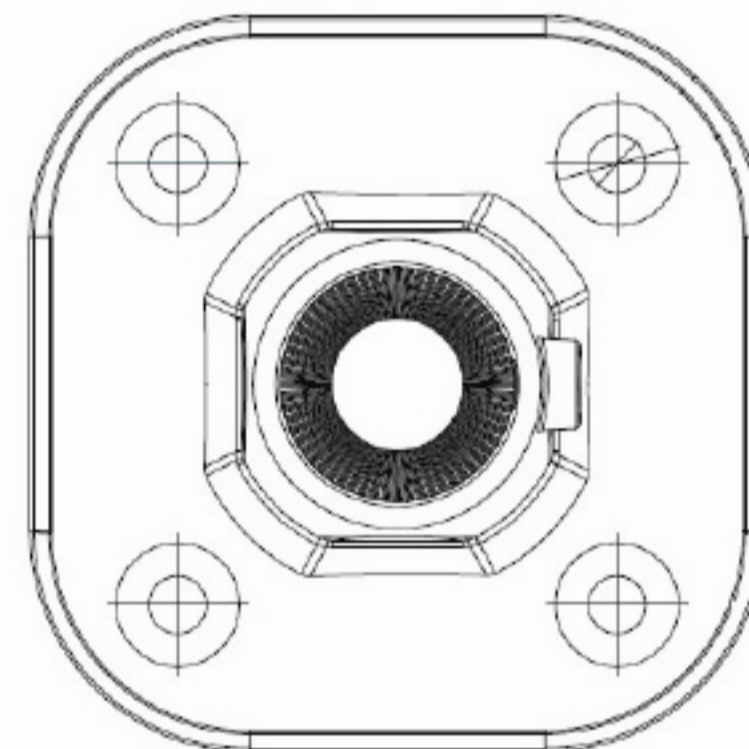
DIMENSIONS



INSTALLATION INSTRUCTIONS

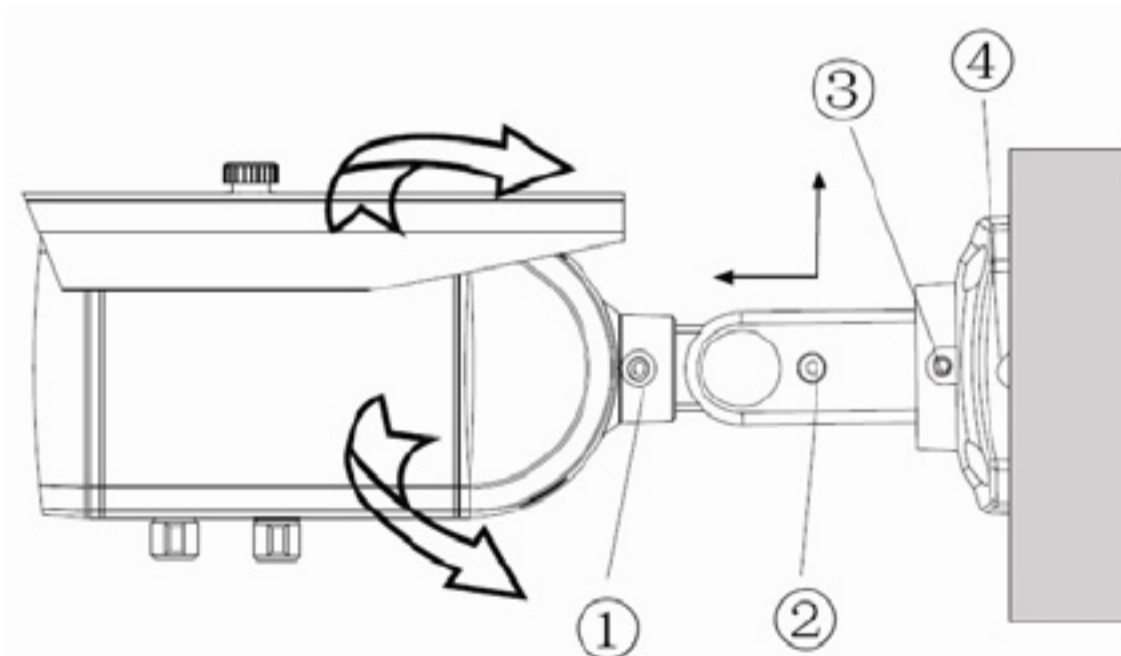
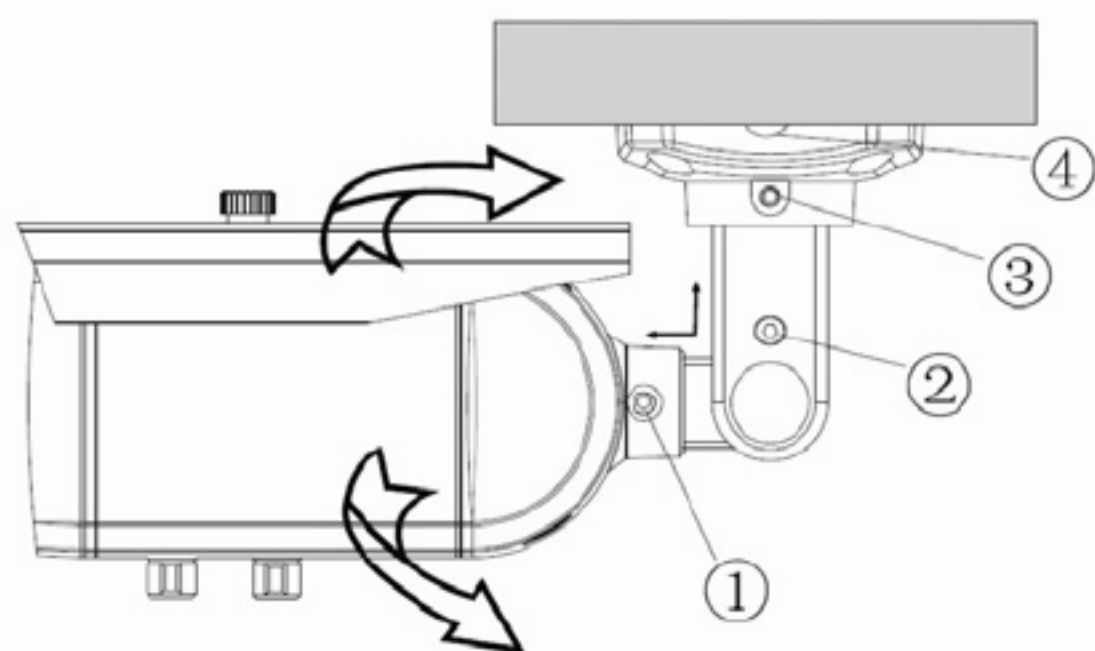
Base Mount Instructions

- (1) Select and draw a reference position on the ceiling using the mounting sticker template.
- (2) Drill one hole on the position selected, and insert the plastic anchor into the hole.
- (3) Put cables through bracket hole 4 and leave some line long enough to connect.
- (4) Fix the bracket on the ceiling with 4pcs PA6x15 screws.



Adjustments

To turn the camera 360° and adjust picture's horizontal position, adjust screw (1). To turn bracket 360°, adjust screw (3). To move the camera 90° vertically, adjust screw (2) and screw (3).



SPECIFICATIONS

Model	IP-V97142
TV System	NTSC
Image Sensor	1/3" Sony CCD & DSP
Total Pixels	510(H) × 492(V)
Video Output	1 Vp-p 75 Ω
Resolution	420 TV Lines
Minimum Illumination	0 Lux @ IR "on"
S/N Ratio	More than 52dB
Electronic Shutter	Automatic
Synchronization	Internal
Gamma Control	0.45
Gain Control	Automatic
White Balance	Automatic
Back Light Compensation	Automatic
IR LED	48 IR LED
IR Wavelength	850nm
IR LED Life	Average 20,000 hours
IR Working Distance	30~130ft / 10~40m
Lens	4.0mm~9.0mm Vari-Focal Lens
IP Rating	Weatherproof IP65
Power Supply	12V DC
Power Consumption	110mA @ IR LED "off" / 430mA @ IR LED "on"
Operation Temperature	-4°F ~ +122°F / -20°C ~ +50°C
Dimension	9.25"(L) x 3.375"(W) x 3.75"(H) 234.9(L) x 85.7(W) x 95.2(H) mm (with sunshield cover & bracket)
Weight	1.2 lbs / 544g

* Specifications are subject to change without notice

LIST OF COMPONENTS

- One (1) Camera with power/video cable
- Four (4) Mounting Screws
- Four (4) Wall Anchors
- One (1) Allen Wrench
- One (1) Mounting Sticker Template
- One (1) Operational Manual



CAUTIONS

1. Never point the camera toward the sun

Do not expose the lens directly to the sun or to strong light as this may damage the pick-up device.

2. Handle this camera with care

Avoid any shock or bumping of the camera. Improper handling could damage the camera.

3. Requires a proper operating environment

This camera is designed for outdoor or indoor use. The allowable temperature range for operation of this camera is between -4°F ~ +122°F / -20°C ~ +50°C and the allowable humidity is 85%RH maximum.

4. Clean the front face to the pick-up device

It is recommended that the pick-up device surface be cleaned before lens installation or whenever the lens is changed. Cleaning should be done by using a chamois, a very fine soft cloth, lens tissue, or cotton tipped applicator and ethanol to carefully remove any fingerprint or dust.

5. Check the power source voltage

The power source voltage should be within the specified range. (Camera must meet the specifications). Camera must be connected to a surge protector at all times.

6. Objects and liquid entry

Never push objects of any kind into this camera as this may touch dangerous voltage points or short out parts that could result in a fire or electric shock. Never spill any kind of liquid on the video product.

7. Servicing

Do not attempt to service this video product by yourself as opening or removing covers may expose you to dangerous voltage or other hazards. Refer all service to qualified servicing personnel.

8. Damage requiring service

Unplug this video product from the wall outlet and refer service to qualified servicing personnel under the following conditions:

- When the power supply cord or plug is damaged.
- If liquid has been spilled, or objects have fallen into the video product.
- If the video product has been dropped or the cabinet has been damaged.
- When the video product exhibits a distinct change in performance.



ADDITIONAL CAUTIONS:

- Be careful not to shake the camera.
- Please avoid places where direct sunlight may shine on the camera.
- Please avoid places where there are frequent vibrations or shocks.
- Please avoid places where the temperature exceeds 122°F / 50°C or temperatures lower than 104°F / -10°C.
- Please avoid storing and operating the camera in water.
- Please avoid water spills on the video connectors and the DC jack connectors.
- Make sure the power input is correct.



WARRANTY

This product is covered under warranty for one year from the date of purchase. The warranty will automatically be voided if any of the following occurs:

1. Camera sticker is removed

If the camera sticker is removed, we will not be able to confirm any information regarding when and where the product was purchased. We have no other way to verify the purchase record without the serial number on the camera sticker; therefore, it should not be removed.

2. Camera is modified in any way

If the camera is scratched, damaged, or modified in a manner not described in this manual, the warranty will be voided immediately. It is the customer's responsibility to keep the camera in good condition.

3. Video or power cable is cut

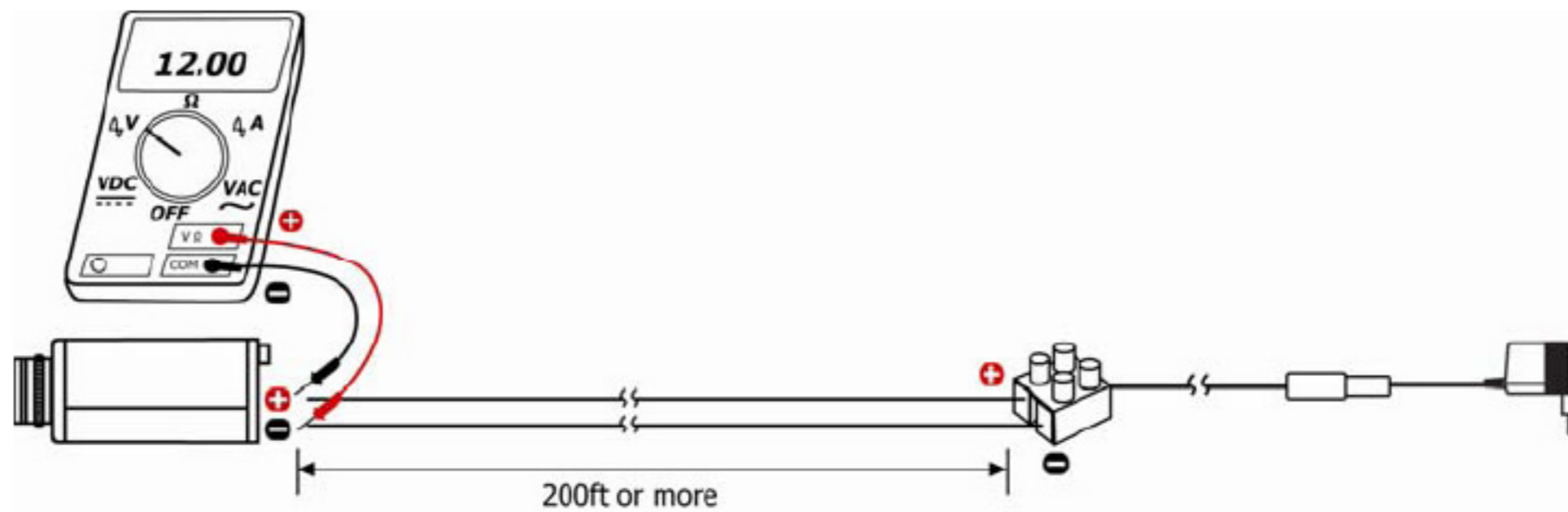
The video cable and the power cable should not be tampered with. Cutting or modifying of the cables will result in termination of the warranty.

TROUBLE SHOOTING: MEASURING SUPPLIED VOLTAGE WITH METER

Other Considerations for Trouble Shooting Power:

1. Wire Quality: Copper or copper over steel
2. Wire Gauge: 18 AWG or smaller
3. Wire Type: Stranded or solid
4. Wire Length: 250ft or more
5. Power Consumption by the camera: In ampere (A) or milliampere (mA)
6. Wire Quality = Longer distance = Good voltage = Less current draw (ampere) from power supply.
7. Voltage and current are closely related to how the camera operates. The lower the voltage, the more current is needed. The higher the voltage, the lower the current is needed.

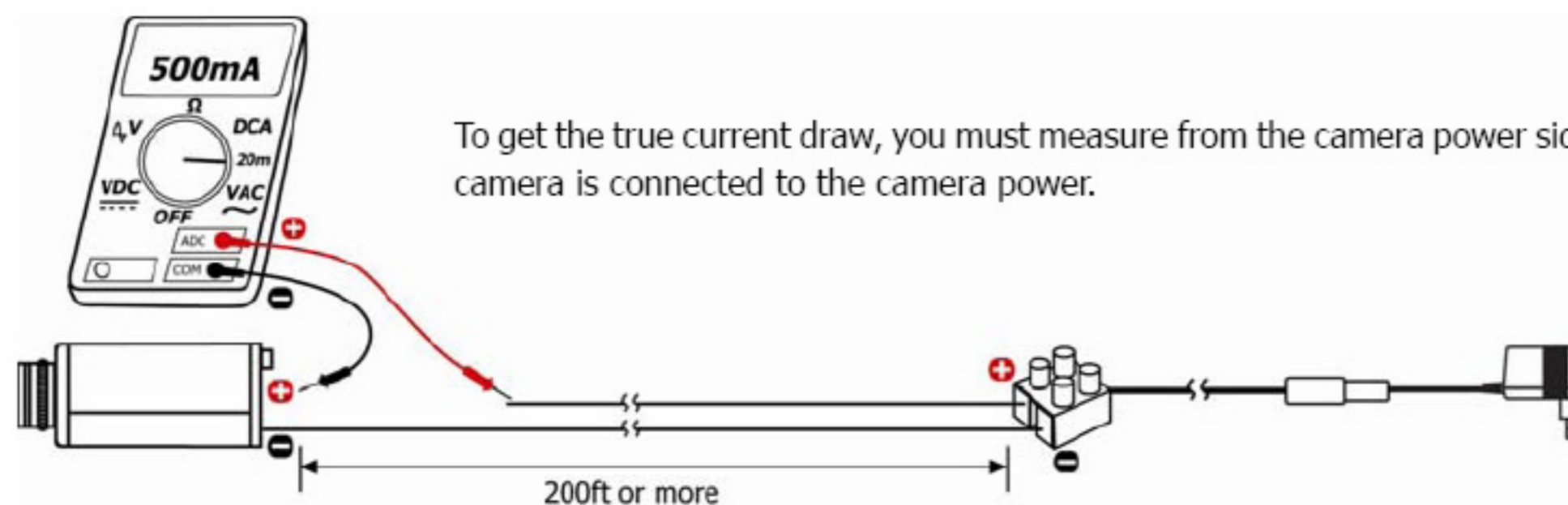
VOLTAGE



*NOTE: The wire gauge is also an important factor in supplied voltage.

TROUBLE SHOOTING: MEASURING SUPPLIED CURRENT WITH METER

CURRENT



To get the true current draw, you must measure from the camera power side after the camera is connected to the camera power.