



CCTV Camera Pros

BIPRO-S600V12 Outdoor CCTV Camera

Infrared, 2.8 - 12mm Vari-focal Lens

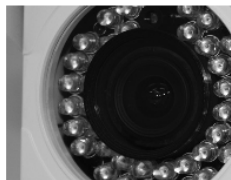
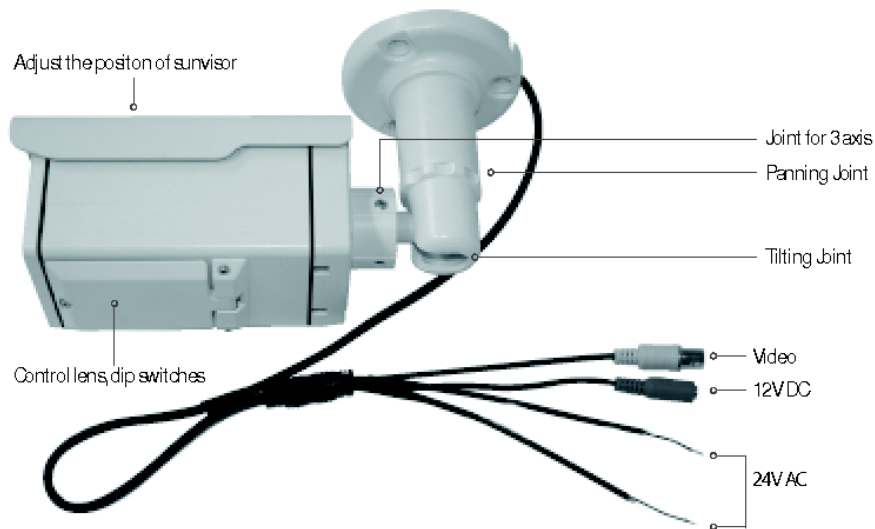
Quick Manual



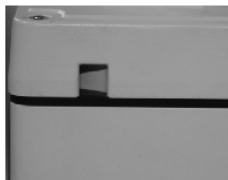
FEATURES

1. Best sensitivity in the world (0.00004 lux F#1.4 50IFE)
2. 700 TV line in B/W and 600 TV line in color.
3. Suitable for 24 hours surveillance with DSS and ICR functions.
4. IP66 certified and air ventilation is maximized.
5. This product is made of corrosion-free surface to resist rust and corrosion for a long time.
6. This camera has a special lens which always has a correct focus regardless of IR light or visible light.
7. Power & video cables are concealable. (Cable through bracket).
8. All the functions are controlled through door on the bottom.
9. Full 3 axis bracket built-in (Ceiling mount and wall mount available).

Configuration



Split glass to prevent reflection



Ventilation hole to prevent condensation



Position the sunvisor to prevent direct sunshine



Extra video output for installation



Caution

Please follow below instructions for safe use.

Information
Read this user guide carefully before any installation for safe operation of product.

 **WARNING** : Indicating the possibility of serious injury or death. 

- WARNING**
1. Do not disassemble the unit by yourself. When there is a problem with the unit, please contact the after-sale service center or the shop where you bought.
 2. Use only regulated power source.
 3. Do not disassemble or re-model the camera, it could cause fire, electric shock or other hazards.

 If the product is to be put out of operation definitively, take it to a local recycling plant for a disposal which is not harmful to the environment. 

Made in Korea



Quick installation

01 Open the box and check the contents



1. SCREW 3EA / 2. WRENCH / 3. EXTRA VIDEO CABLE / 4. MANUAL

02 Bracket adjustment



Adjust this joint to install it on the wall



Tilting adjustment



Panning adjustment

03 Connecting the power and video





Quick installation

04 Adjusting the control panel



1. LED: OFF, ON You can turn on the LEDs or off continuously
2. LED-ON: Fast, Slow Fast: LEDs will be on at around 6 lux
Slow: LEDs will be on at around 3 lux
3. LED-BEAM: Low, Hi Low: Wide IR Beam with 65ft range
Hi: Narrow IR Beam with over 65ft range
4. E-VBS Extra video output for installation

05 Menu setting



- Push the SET button > menu open
- Icon pass sub menus. Press the set button to enter sub menus.
- Icon means it is not available due to setting options.

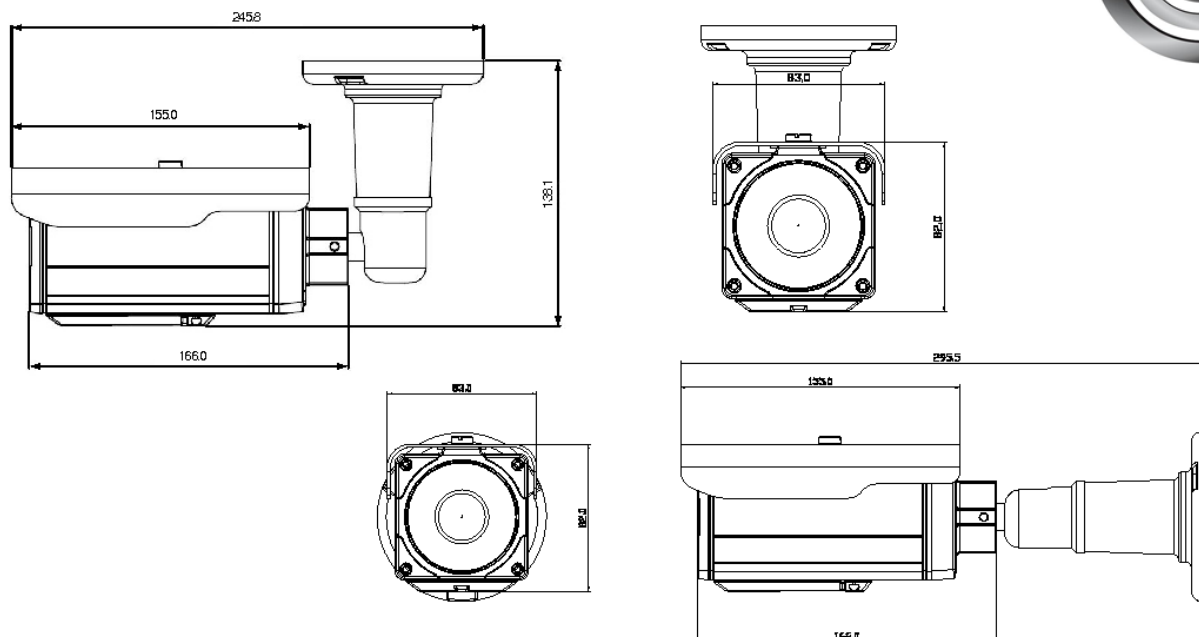
1. Up and Down: Move Cursor
2. Left and Right: Value
3. Left and Right > Push > Menu > Value
4. END: Push > Previous

Main Menu

1. LENS: DC (PUSH), MANUAL
2. EXPOSURE: PUSH : SHUTTER, BRIGHTNESS, AGC, SENS-UP, BLC, D-WDR, RETURN
: SHUTTER: AUTO, FLK, MANUAL
: BRIGHTNESS: Adjust the brightness of lens
: AGC (Automatic Gain Control): High, Middle, Low, Off
: SENS-UP: AUTO, OFF
This function can accumulate the lighting by x.256 to make the picture brighter.
: BLC: OFF, BLC, HSBLC (High Suppress BLC)
HSBLC: This function can make masking of high lighting, like car head lighting.
: D-WDR (Digital Wide Dynamic Range), OFF, INDOOR, OUTDOOR
This function make the camera watch both bright and dark area at the same time.
INDOOR: When you install the camera indoor or using D-WDR.
3. WHITE BALANCE: ATW, AWB, AWC-SET, MANUAL, INDOOR, OUTDOOR
: AWB (Automatic White Balance): Automatically adjust white balance according to condition.
This mode is recommended in most cases.
: AWC-SET: To find the optimal setting only under current condition
Face the camera toward white paper fully and press the button.
4. DAY/NIGHT : COLOR, AUTO, EXT, B/W
: AUTO: DELAY, S-LEVEL, E-LEVEL
Automatically color changes to B/W according to the lighting
DELAY: Setting delay time to change color to B/W
Factory default: 5 means about 5 seconds, no means seconds.
S-LEVEL: Setting starting level to change color to B/W
Factory default: 70 means about 3 lux. Don't change it. (Technician only)
E-LEVEL: Setting ending level to change B/W to color
Factory default: 50 means about 6 lux. Don't change it. (Technician only)
5. 3 DNR: ON, OFF (Digital Noise Reduction)
: ON: To reduce noise on the screen.
6. SPECIAL: CAM TITLE, D-EFFECT, RS485, MOTION, PRIVACY, SYNC, LANGUAGE, RETURN/END
: MOTION: OFF, ON To transmit a signal when it detects motion on selected areas.
: PRIVACY: OFF, ON To mask areas you want, upto 8 areas selectable.
: LANGUAGE: ENGLISH, KOREAN, JAPANESE, CHINESE (can be added by requests)
7. ADJUST: SHARPNESS, BLUE, RED, RETURN/END
8. RESET: Factory Reset
9. EXIT: To finish OSD setting



Dimension



SPECIFICATION

MODEL	NTSC	PAL
Model Number	SENS212WIR	
Image Sensor	1/3 Inch, Sony CCD (ICX638 / ICX639)	
Effective Pixels	768 (H) X 494 (V)	752 (H) X 582 (V)
Video System	NTSC TV System	PAL TV System
Scanning System	525 Lines 2:1 Interlace	625 Lines 2:1 Interlace
Scanning Frequency	15.734 [kHz] / 59.94 [Hz]	15.625 [kHz] / 50 [Hz]
Shutter Speed	1/60 ~ 1/120,000 sec	1/50 ~ 1/120,000 sec
Sync System	Internal Sync	
H-Resolution	More than 560 TV Lines, BW 700 TV Lines	
S/N Ratio	52 [dB] / AGC Off	
Min. Illumination	0.00004 Lux (F1.4 / 50 IFE)	
Gamma	0.45 Approx	
CCD Level Control	ALC (auto iris lens control)	
Gain Control	High / Middle / Low / Off (Selectable)	
Sens-Up	Off / Auto (Selectable limit x2 ~ x256)	
3DNR	On / Off	
D-WDR	Off / INDOOR / OUTDOOR	
BLC	OFF / BLO / H-BLCL	
Sharpness	Level Adjustable	
Privacy Zone	Off / On (8 Zones)	
Mirror	Off / On (H-Rev / V-Rev)	
White Balance	ATW / AWB / AWC SET / Manual / Indoor (4500 K ~ 8,500 K) Outdoor (1800 K ~ 10,500 K)	
CVideo Output	VBS 1.0 Vp-p / 75ohm Video: 0.7Vp-p / Sync: 0.3Vp-p / Burst: 0.3Vp-p	
IR Range	200 FT Max with LED Beam setting on "High"	
LENS	Vari-focal Lens (28mm ~ 12mm)	
Power	Dual Voltage: 12V DC, 1.5A +/- 10% / 24V AC Max: 1.5 A when LED On	
Operating Temp.	-10°C ~ +50°C	
Dimension	3.27" x 3.23" x 6.54mm	
Weight	Net: 2.86 lbs	
Outside Control	Far - Near control lever	
	Tele - Wide control lever	
	LED ON / Lux Select DIP SW	
	LED Beam Low / HI Select DIP SW	
	CSD Control buttons	
	Extra video out	