

## GV-EBD4700 4MP H.265 Low Lux WDR Pro IR Eyeball IP Dome

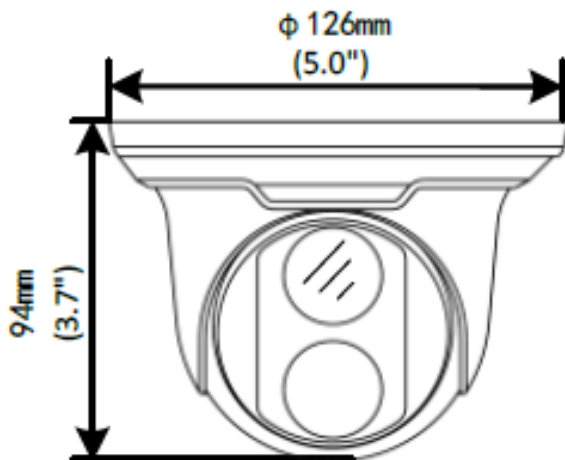


- 1/3" progressive scan low lux CMOS sensor
- Min. illumination at 0.03 lux (B/W) and 0.05 lux (color)
- Triple streams from H.265, H.264 or MJPEG
- Up to 20 fps at 2592 x 1520, 25 fps at 2560 x 1440, 30 fps at 2048 x 1520
- Intelligent IR
- IR distance up to 30 m (98.4 ft)
- Day and night function (with removable IR-cut filter)
- Wide Dynamic Range Pro (WDR Pro)
- Ingress protection (IP66)
- DC 12V / PoE (IEEE 802.3af)
- Defog
- 3D noise reduction
- Motion detection
- Text overlay
- Privacy mask

### Introduction

The H.265 Target Eyeball Dome is an outdoor, network camera equipped with an automatic IR-cut filter and an IR LED for day and night surveillance. The camera adheres to IP66 standards. The camera supports H.265 video codec to achieve better compression ratio while maintaining high quality pictures at reduced network bandwidths. With its WDR Pro, it can process scenes with contrasting intensity of lights and produce clear image.

### Dimensions



## Specifications

Camera		
Image Sensor		1/3" progressive scan low lux CMOS
Picture Elements		2592 (H) x 1520 (V)
Minimum Illumination	Color	0.05 Lux
	B/W	0.03 Lux
	IR ON	0 Lux
Shutter Speed		Auto / Manual (1/6 ~ 1/8000 sec)
White Balance		Auto / Manual
Gain Control		Auto / Manual
S/N Ratio		55 dB
WDR		WDR Pro
Dynamic Range		100 dB
Optical Lens		
Megapixel		Yes
Day / Night		Yes (with removable IR-cut filter)
Lens Type		Fixed
Focal Length		2.8 mm
Maximum Aperture		F/1.8
Mount		M12
Horizontal FOV		100°
Operation	Focus	Fixed
	Zoom	Fixed
	Iris	Fixed
IR LED Quantity		1 IR LED
Max. IR Distance		30 m (98.4 ft)
Video		
Video Compression		H.265, H.264, MJPEG
Video Streaming		Triple streams from H.265, H.264 or MJPEG
Video Resolution	Main Stream	2592 x 1520, 2560 x 1440 (Default), 2048 x 1520, 1920 x 1080
	Sub Stream	1280 x 720, 720 x 576, 704 x 288 (Default), 352 x 288
	Third Stream (Closed by Default)	720 x 576, 704 x 288, 352 x 288
Frame Rate		20 fps at 2592 x 1520, 25 fps at 2560 x 1440, 30 fps at 2048 x 1520 (60 / 50 Hz) * The frame rate and performance may vary depending on the number of connections and data bitrates (different scenes).
Network		
Interface		10/100 Ethernet
Protocol		DHCP, FTP, HTTP, HTTPS, IPv4, IPv6, ICMP, L2TP, NTP, RTP, RTSP, SMTP, SIP, TCP, UDP, ONVIF (Profile S)
Mechanical		
Connectors	Power	DC Jack
	Ethernet	RJ-45 connector
	Audio	N/A
	Local Storage	N/A
	TV-Out	N/A
	Digital I/O	N/A
General		
Operating Temperature		-35°C ~ 60°C (-31°F ~ 140°F)
Humidity		0% ~ 95% (non-condensing)
Dimensions		∅ 126 x 94 mm (∅5.0" x 3.7")
Weight		0.33 kg (0.73 lb)
Power Source		12 V DC / PoE (IEEE802.3af)
Max. Power Consumption		5.5 W
Ingress Protection		IP66
Regulatory		CE, FCC, RoHS compliant

Web Interface	
Installation Management	Web-based configuration
Maintenance	Firmware upgrade through Web Browser or Utility
Access from Web Browser	Live View, Video Recording, Change Video Quality, Bandwidth Control, Image Snapshot, Defog, Text Overlay, Image Masking
Language	English
Applications	
Software Supported	GV-DVR / NVR (V8.7.1.0), GV-VMS (V15.11.1.0), GV-Control Center (V3.4.0.0), GV-Recording Server (V1.3.0.0), GV-Redundant / Failover Server (V1.1.0.0)
Live Viewing	Browser (IE, Firefox, Safari)



**Note:**

1. Specifications are subject to change without notice.
2. Do not use clothes or any ordinary material to clean the camera cover since they may result in scratches.
3. It is required to apply patch files to all the supported software.

**Packing List**

- |                              |                            |
|------------------------------|----------------------------|
| 1. H.265 Target Eyeball Dome | 6. Software Download Guide |
| 2. Waterproof Rubber Set     | 7. Warranty Card           |
| 3. Screw x 3                 |                            |
| 4. Screw Anchor x 3          |                            |
| 5. Drill Template Paster     |                            |

**Accessories**

Model No.	Name		Details
GV-Mount211	Wall Mount Bracket		Dimensions: 233 x 126 x 126 mm (9.2" x 5" x 5") Weight: 0.92 kg (2.0 lb)
GV-PA191	Power over Ethernet (PoE) Adapter		The GV-PA191 is a Power over Ethernet (PoE) adapter designed to provide power to the IP device through a single Ethernet cable.
GV-POE Switch			The GV-POE Switch is designed to provide power along with network connection for IP devices. The GV-POE Switch is available in various models with different numbers and types of ports.
Power Adapter			Contact your sales representative for the countries and areas supported.