

GV-SD2322-IR (22x) Outdoor Low Lux IR IP Speed Dome



- 1/2.8" progressive scan low lux CMOS sensor
- Min. illumination at 0.01 lux (B/W) and 0.03 lux (color)
- Triple streams from H.264 and MJPEG
- Up to 30 fps at 1920 x 1080
- 22x optical zoom and unlimited digital zoom
- Intelligent IR
- IR distance up to 150 m (492 ft)
- Day and night function (with removable IR-cut filter)
- Two sensor inputs and one alarm output
- Wide Dynamic Range (WDR)
- Vandal resistance (IK10 for metal casing)
- Ingress protection (IP66)
- Wide temperature tolerance (-40°C ~ 70°C / -40°F ~ 158°F)
- Support for TV-out
- Two-way audio
- Built-in micro SD card slot (SDHC/SDXC, Class 10) for local storage
- DC 24V / AC 24V
- Pan 360° endlessly
- Tilt from -15° to 195°
- Pan preset speed at up to 300°/sec and tilt at 240°/sec
- PTZ movement (Preset, Sequence, Auto Pan, Cruise and Patrol)
- PTZ patrol by schedule
- Auto focus
- 3D noise reduction
- Motion detection
- Privacy mask

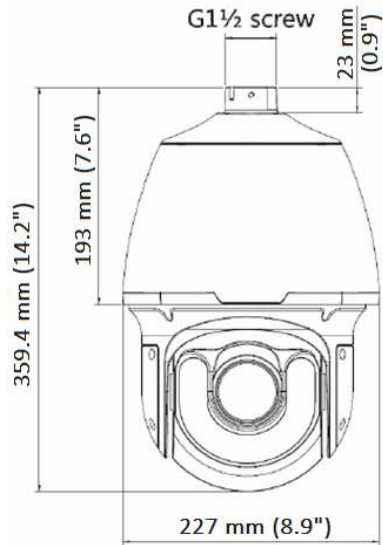
* No memory card slot & local storage function for Argentina

Introduction

The GV-SD2322-IR is an outdoor network PTZ camera that offers 22x optical zoom and unlimited digital zoom, capable of showing smooth live view with great details. This camera can simultaneously deliver three video streams in resolutions up to 1920 x 1080 at 30 fps. In low-light environments, night vision is enhanced with its high power LEDs, which allow up to 150 m (492 ft) effective IR distance.

Wide surveillance coverage is made possible with 360° endless panning and -15 ~ 195° tilting capacity. PTZ functions such as Preset, Sequence, Auto Pan, Cruise and Patrol can be programmed and activated by schedule. The GV-SD2322-IR supports pan/tilt speeds ranging from a fast patrol of 240° per second to a slow ramble of 0.1° per second with 0.1° pan accuracy for fast and accurate tracking ability.

Dimensions



Specifications

Camera		
Image Sensor		1/2.8" progressive scan low lux CMOS
Optical Zoom		22x
Digital Zoom		Unlimited
Picture Elements		1920 (H) x 1080 (V)
Minimum Illumination	Color	0.03 Lux at F/1.6
	B/W	0.01 Lux at F/1.6
	IR ON	0 Lux
Electronic Shutter		1/6 ~ 1/8000 sec.
White Balance		Auto / Manual
Iris Control		Auto / Manual
AGC control		Auto / Manual
S/N Ratio		52 dB
WDR		Yes
Dynamic Range		Up to 72 dB
Optical Lens		
Megapixel		Yes
Day / Night		Yes (with removable IR-cut filter)
Focal Length		4.7 ~ 103 mm
Maximum Aperture		F/1.6
Horizontal FOV		61.9° ~ 3.4°
Operation	Focus	Auto / Manual
	Zoom	22x
	Iris	Auto / Manual
IR LED Quantity		10 IR LEDs
Max. IR Distance		150 m (492 ft)
Video		
Video Compression		H.264, MJPEG
Video Streaming		Triple streams from H.264 or MJPEG
Video Resolution	Main Stream	1920 x 1080 (Default), 1280 x 720, 720 x 576, 704 x 288, 352 x 288
	Sub Stream	1920 x 1080, 1280 x 720, 720 x 576 (Default), 704 x 288, 352 x 288
	Third Stream (Closed by Default)	720 x 576, 704 x 288, 352 x 288
Frame Rate		30 fps at 1920 x 1080 (60/50 Hz) * The frame rate and performance may vary depending on the number of connections and data bitrates (different scenes).

Audio		
Audio Compression		G.711
Audio Support		Two-way Audio
Network		
Interface		10/100 Ethernet
Protocol		DHCP, FTP, HTTP, HTTPS, IPv4, ICMP, L2TP, NTP, RTP, RTSP, SMTP, SIP, TCP, UDP, ONVIF (Profile S)
Mechanical		
Connectors	Power	3-pin terminal block
	Ethernet	10/100 Base-T, RJ-45 connector
	Audio	1 in (Audio In Wire); 1 out (Audio Out Wire)
	Local Storage	Micro SD card slot (SDHC/SDXC, Class 10) *UHS-I and UHS-II card types are not supported.
	TV-Out	BNC connector
	Digital I/O	I/O wires
Operation		
Pan Travel		360° endless
Tilt Travel		-15° ~ 195°
Manual Speed	Pan	0.1° ~ 240°/s
	Tilt	0.1° ~ 160°/s
Preset Speed	Pan	300°/s
	Tilt	240°/s
Presets	Max. Number	255
	Accuracy	0.1°
Patrol	Max. Number	16
	Max. Presets Allowed	32
OSD		8
Privacy Mask		24
Proportional Pan & Tilt		Auto (Pan and tilt speed proportional to zoom ratio)
Automatic Function		Preset, Patrol (Including Sequence, Auto Pan, Cruise and Tour)
Mechanical Flip		Yes
Digital Slow Shutter		On / Off
Motion Detection		On / Off
Wide Dynamic Range		On / Off
Day/Night: Mechanical IR Cut Filter		On / Off
Image Rotation		Normal, Flip Vertical, Flip Horizontal, 180°, 90° Clockwise, 90° Anti-clockwise
3D & 2D Noise Reduction		0 ~ 255
Alarm	Input	2
	Output	1
	Reaction	Alarm Output, PTZ to Preset, Trigger Storage
General		
Operating Temperature		-40°C ~ 70°C (-40°F ~ 158°F)
Heater		Heater On: -15°C (5°F)
Fan-On		Constantly On
Humidity		20% ~ 90% (non-condensing)
Dimensions		∅ 227 x 359.4 mm (8.94" x 14.15")
Weight		5.4 kg (11.9 lb)
Power Source		24V AC / 24V DC
Power Consumption		52.5 W
Ingress Protection		IP66
Vandal Resistance		IK10 for metal casing
Regulatory		CE, FCC, RoHS compliant

Web Interface	
Installation Management	Web-based configuration
Maintenance	Firmware upgrade through Web Browser or Utility
Access from Web Browser	Live View, Playback, Video Recording, PTZ Control, Preset, Patrol, Image Quality, Bandwidth Control, Image Snapshot, 2-way Audio, Digital Zoom, 3D Positioning (Optical Zoom), Text Overlay, Image Masking
Language	English
Applications	
Network Storage	GV-System (GV-DVR / NVR), GV-VMS, GV-Recording Server
Live Viewing	Browser (IE, Firefox, Safari)

Note:

1. Specifications are subject to change without notice.
2. Do not use clothes or any ordinary material to clean the camera cover since they may result in scratches.
3. Mind the following when using an inserted memory card for recording:
 - Recorded data on the memory card can be damaged or lost if the data are accessed while the camera is under physical shock, power interruption, memory card detachment or when the memory card reaches the end of its lifespan. No guarantee is provided for such causes.
 - The stored data can be lost if the memory card is not accessed for a long period of time. Back up your data periodically if you seldom access the memory card.
 - Memory cards are expendable and their durability varies according to the conditions of the installed site and how they are used. Back up your data regularly and replace the memory card annually.
 - To avoid power outage, it is highly suggested to apply a battery backup (UPS).
 - For better performance, it is highly suggested that you use a micro SD card of SDHC/SDXC, Class 10.
 - Replace the memory card when its read/write speed is lower than 6 MB/s or when the memory card is frequently undetected by the camera.

Packing List

- | | |
|----------------------------|----------------------------------|
| 1. GV-SD2322-IR Speed Dome | 5. Waterproof Requirements |
| 2. 24V AC Power Adapter | 6. GV-IP Speed Dome Software DVD |
| 3. M4 Hex Key | 7. GV-Software DVD |
| 4. Waterproof Rubber Set | 8. Warranty Card |

Accessories

Model No.	Name		Details
GV-Mount104	Straight Tube Kit		Dimensions: 219 x 125 x 332 mm (8.6" x 4.9" x 13.1") Weight: 1.8 kg (3.97 lb)
GV-Mount105	Straight Tube and Junction Box Kit		Dimensions: 256 x 256 x 297 mm (10.1" x 10.1" x 11.7") Weight: 6.2 kg (13.67 lb)
GV-Mount210	Pendant Tube		Dimensions: 200 x 140 x 249 mm (7.9" x 5.5" x 9.80") Weight: 1.1 kg (2.43 lb)

Model No.	Name		Details
GV-Mount300	Convex Corner Adapter Kit		Dimensions: 238.6 x 409.5 mm (9.4" x 16.1") Weight: 4.27 kg (9.41 lb)
GV-Mount310	Concave Corner Adapter Kit		Dimensions: 123.3.6 x 393.1 mm (4.9" x 15.5") Weight: 2.96 kg (6.53 lb)
GV-Mount400	Pole Mount Bracket Kit (Ø 4" ~ 6")		Bracket: 241 x 161 mm (9.5" x 6.3") Weight: 1.70 kg (3.75 lb) Steel Strap: Ø 4" ~ 6"
GV-Mount410	Pole Mount Bracket Kit (Ø 6" ~ 7.5")		Bracket: 241 x 161 mm (9.5" x 6.3") Weight: 1.70 kg (3.75 lb) Steel Strap: Ø 6" ~ 7.5"
GV-Mount501	Convex Corner Box Mount		Dimensions: 136 x 256 x 256 mm (5.4 x 10.1 x 10.1") Weight: 4.8 kg (10.6 lb)
GV-Mount702	Extension Tube		Four options are available. Dimensions: Ø 5.4 x 10 or 20 or 30 or 50 cm (Ø 2.1" x 3.9" or 7.9" or 11.8" or 19.7") Weight: 180 g or 390 g or 550 g or 800 g (0.4 lb or 0.86 lb or 1.21 lb or 1.76 lb)