

UVS-ABD1300 1.3MP H.264 Low Lux WDR Eyeball IP Dome

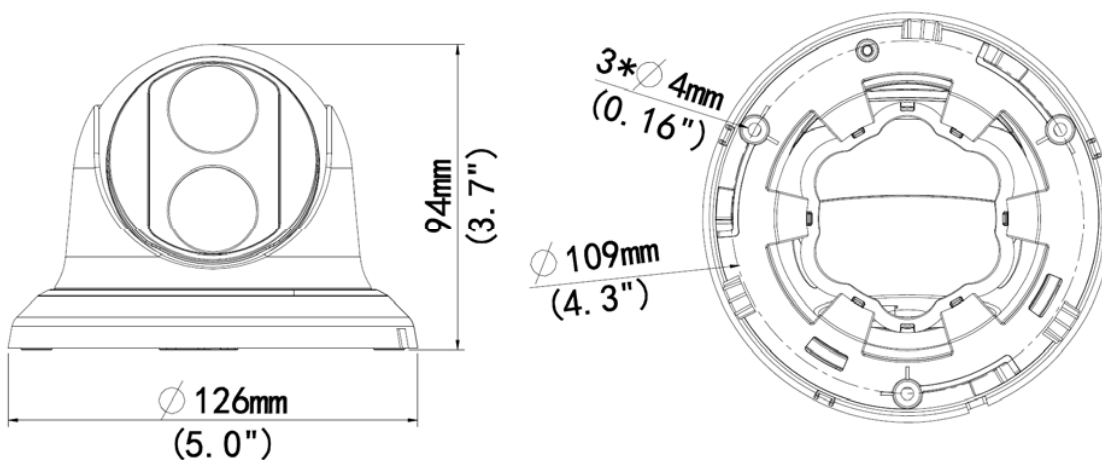


- 1/3" progressive scan low lux CMOS sensor
- Min. illumination at 0.06 lux (B/W and color)
- Triple streams from H.264 or MJPEG
- Up to 30 fps at 1280 x 960
- Intelligent IR
- IR distance up to 30 m (98.4 ft)
- Day and night function (with removable IR-cut filter)
- 3-axis mechanism (pan / tilt / rotate)
- Ingress protection (IP66)
- Wide temperature tolerance (-35°C ~ 60°C / -31°F ~ 140°F)
- DC 12V / PoE (IEEE 802.3af)
- Wide Dynamic Range (WDR)
- Defog
- 3D noise reduction
- Motion detection
- Text overlay
- Privacy mask
- ONVIF (Profile S) conformant

Introduction

The Eyeball Dome is an outdoor, network camera equipped with an automatic IR-cut filter and an IR LED for day and night surveillance. The camera adheres to IP66 standards.

Dimensions



Specifications

Camera		
Image Sensor		1/3" progressive scan low lux CMOS
Picture Elements		1280 (H) x 960 (V)
Minimum Illumination	Color	0.06 Lux
	B/W	0.06 Lux
	IR ON	0 Lux
Shutter Speed		Auto / Manual (1/6 ~ 1/8000 sec)
White Balance		Auto / Manual
Gain Control		Auto / Manual
S/N Ratio		50 dB
WDR		Yes
Dynamic Range		72 dB
Optical Lens		
Megapixel		Yes
Day / Night		Yes (with removable IR-cut filter)
Lens Type		Fixed
Focal Length		2.8 mm
Maximum Aperture		F/1.8
Mount		M12
Horizontal FOV		99.1°
Operation	Focus	Fixed
	Zoom	Fixed
	Iris	Fixed
IR LED Quantity		1 IR LED
Max. IR Distance		30 m (98.4 ft)
Video		
Video Compression		H.264, MJPEG
Video Streaming		Triple streams
Video Resolution	Main Stream	1280 x 960, 1280 x 720 (Default), 720 x 576
	Sub Stream	1280 x 960, 1280 x 720, 720 x 576 (Default), 352 x 288, 704 x 288
	Third Stream (Closed by Default)	720 x 576, 352 x 288, 704 x 288
Frame Rate		30 fps at 1280 x 960 (60 / 50 Hz) * The frame rate and performance may vary depending on the number of connections and data bitrates (different scenes).
Image Setting		Brightness, Contrast, Saturation, Sharpness, Flicker-less, Image Orientation
Network		
Interface		10/100 Ethernet
Protocol		DHCP, DNS, FTP, HTTP, ICMP, IGMP, IPv4, IPv6, NTP, ONVIF (Profile S), QoS, RTP, RTSP, TCP, UDP
Mechanical		
Temperature Detector		No
Connectors	Power	DC Jack, PoE
	Ethernet	RJ-45 connector
Camera Angle Adjustment	Pan	0° ~ 360°
	Tilt	0° ~ 77°
	Rotate	0° ~ 360°
General		
Operating Temperature		-35°C ~ 60°C (-31°F ~ 140°F)
Humidity		0% ~ 90% (non-condensing)
Dimensions		∅ 126 x 94 mm (∅5.0" x 3.7")
Weight		0.33 kg (0.73 lb)
Power Source		12 V DC / PoE (IEEE802.3af)
Max. Power Consumption		5.5 W

Ingress Protection	IP66
Regulatory	FCC, IC, CE, WEEE, RoHS compliant
Web Interface	
Installation Management	Web-based configuration
Maintenance	Firmware upgrade through Web Browser or Utility
Access from Web Browser	Live View, Video Recording, Change Video Quality, Bandwidth Control, Image Snapshot, Defog, Text Overlay, Image Masking
Language	English
Applications	
Software Supported	GV-DVR / NVR (V8.7.1.0), GV-VMS (V15.11.3.0), GV-Recording Server / Video Gateway (V1.3.0.0), GV-Control Center (V3.4.0.0), GV-Redundant / Failover Server (V1.1.0.0), GV-Mobile Server (V1.4.2.0)
Live Viewing	Browser (IE, Firefox, Safari)

Note:

1. Specifications are subject to change without notice.
2. Do not use clothes or any ordinary material to clean the camera cover since they may result in scratches.
3. It is required to apply patch files to all the supported software.

Packing List

- | | |
|-----------------------------|----------------------------|
| 1. UVS-ABD1300 Eyeball Dome | 6. Software Download Guide |
| 2. Waterproof Rubber Set | 7. Warranty Card |
| 3. Screw x 2 | |
| 4. Screw Anchor x 2 | |
| 5. Drill Template Paster | |

Accessories

Model No.	Name		Details
GV-Mount211	Wall Mount Bracket		Dimensions: 233 x 126 x 126 mm (9.2" x 5" x 5") Weight: 0.92 kg (2.0 lb)
GV-PA191	Power over Ethernet (PoE) Adapter		The GV-PA191 is a Power over Ethernet (PoE) adapter designed to provide power to the IP device through a single Ethernet cable.
GV-POE Switch			The GV-POE Switch is designed to provide power along with network connection for IP devices. The GV-POE Switch is available in various models with different numbers and types of ports.
Power Adapter			Contact your sales representative for the countries and areas supported.