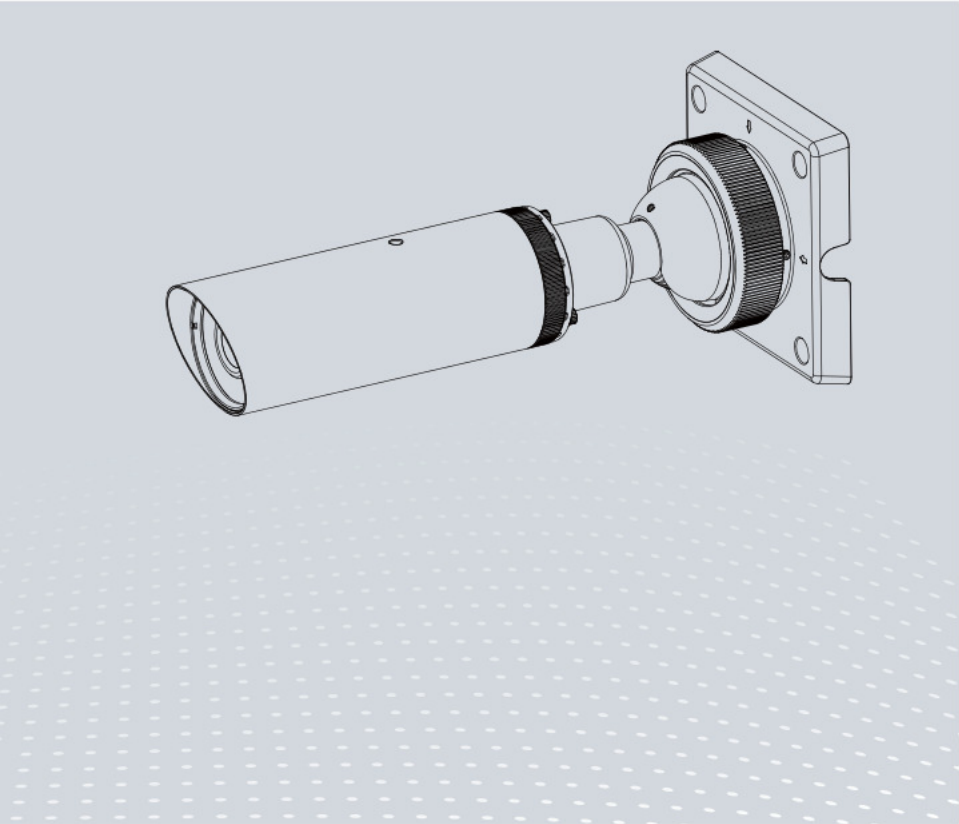




# IP8332-C Bullet Network Camera Quick Installation Guide

English | 繁体中文 | 简体中文 | 日本語 | Français | Español | Deutsch | Português | Italiano | Türkçe | Polski | Русский | Česky | Svenska | العربية

Outdoor • Day & Night • Weather-proof • Cable Management





## Warning Before Installation

- Power off the Network Camera as soon as smoke or unusual odors are detected.
- Do not place the Network Camera on unsteady surfaces.
- Do not insert sharp or tiny objects into the Network Camera.
- Replacing or failing to properly install the waterproof components, e.g., cables or cable glands, will void our IP65/66/67 warranty.
- Refer to your user's manual for the operating temperature.
- Do not touch the Network Camera during a lightning storm.
- Do not drop the Network Camera.

## 1 Package Contents

- IP8332-C



- Software CD



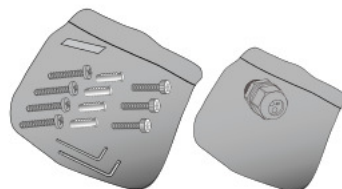
- Ball Swivel Mount Bracket



- Quick Installation Guide / Warranty Card / Alignment Sticker



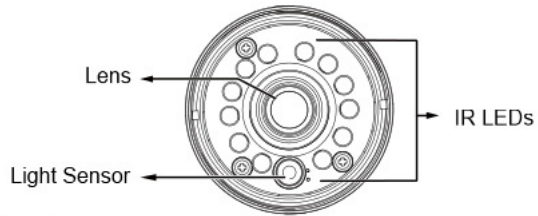
- L-type Hex Key Wrench / Dessicant Bag / Screws / RJ45 Female-Female Coupler / Waterproof Connector



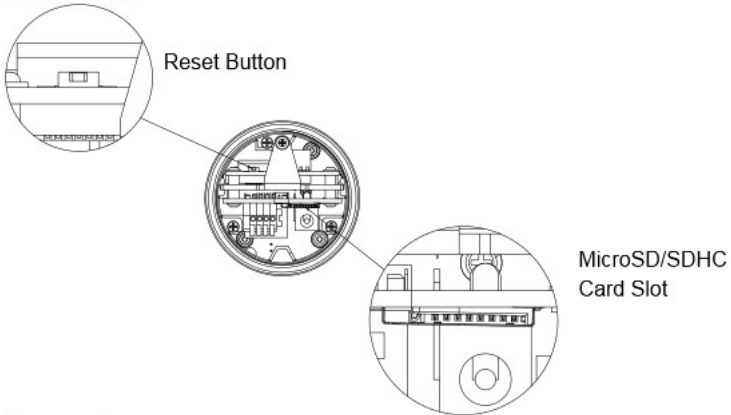
## 2

## Physical Description

### Front Panel



### Rear Panel



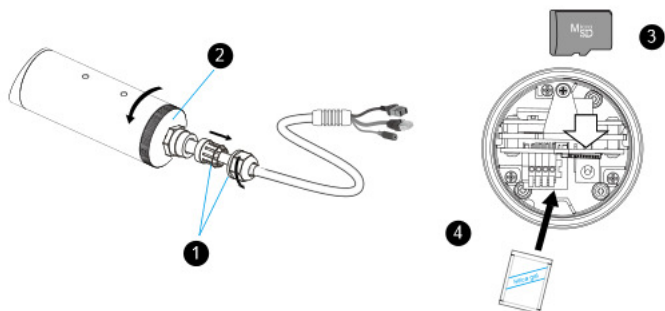
### Connectors



### 3 Hardware Installation

If you prefer installing a MicroSD card as onboard storage:

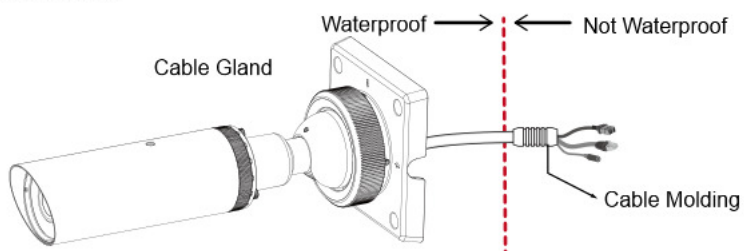
1. Loosen the waterproof connector, and then remove the rubber seal, and the waterproof connector.
2. Loosen and open the rear cover.
3. Install a MicroSD/SDHC card.
4. Tear down the aluminum foil vacuum bag and take out the dessicant bag. Attach the supplied dessicant bag to the inner side of the Network Camera. (Please replace the dessicant bag with a new one every time you open the rear cover.)
5. Make sure all cable lines are securely connected.



#### ⚠ IMPORTANT:

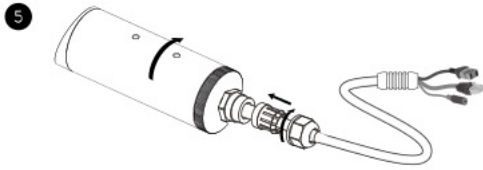
Although the camera and the cable gland on the camera's end are waterproof, the cable molding at the other end is not waterproof.

Measures should be taken to prevent water from leaking in through the cable-end molding, such as the use of expanding foam sealant, putties, and so on. Note that the cable gland on the camera should also be securely fastened to attain its waterproof functionality.



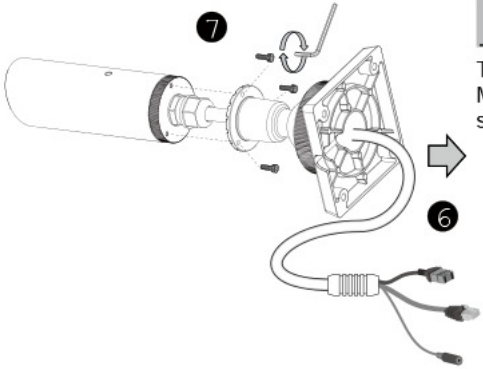
EN-3

5. Tighten the rear cover, rubber seal and waterproof connector.



6. Pass the cables through the center of the ball swivel mount bracket, one at a time.

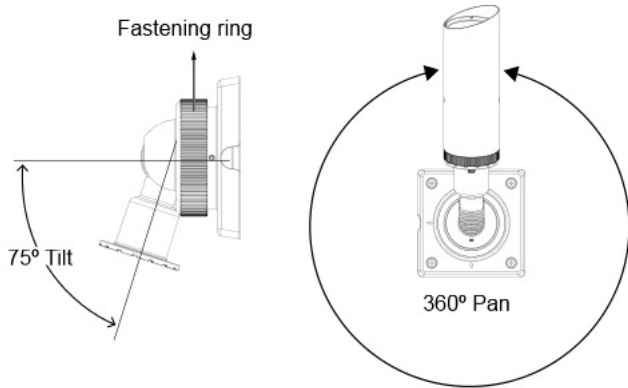
7. Fasten the bracket to the camera using 3 hex socket screws.



 **NOTE:**

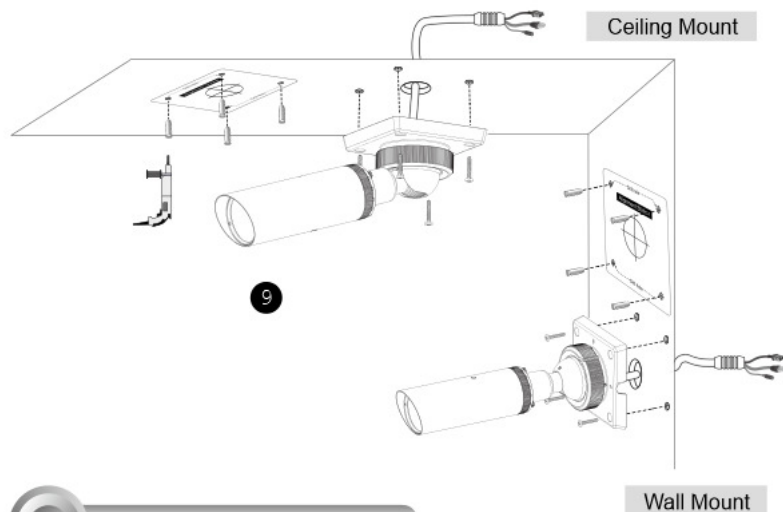
The camera weighs up to 1.28 kgs.  
Make sure the mounting surface can support this camera.

8. Loosen the fastening ring on the mount bracket, and aim the camera at the area of your interest. When done, tighten the fastening ring.



EN-4

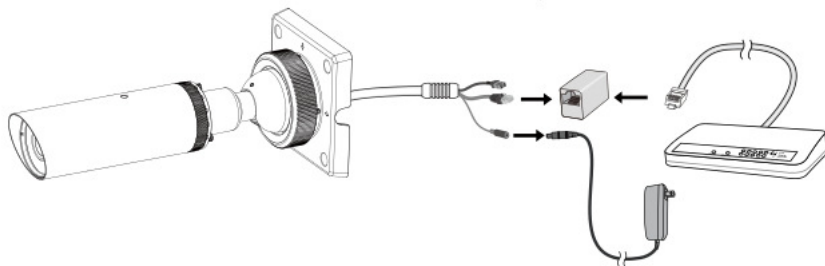
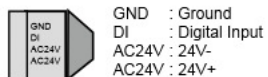
9. Secure the Network Camera to a wall or ceiling.



## 4 Network Deployment

### General Connection (without PoE)

1. If you have external devices such as sensors and alarms, make connections from general I/O terminal block.



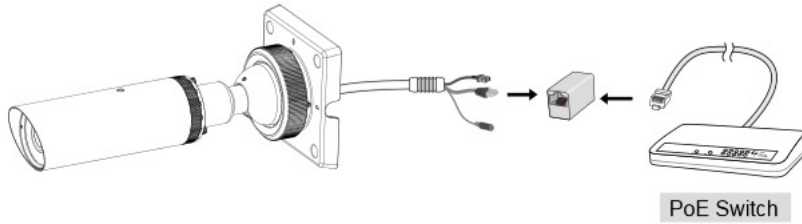
2. Use the supplied RJ45 female/female coupler to connect the Network Camera to a switch.

3. Connect the power cable from the Network Camera to a power outlet.

## **Power over Ethernet (PoE)**

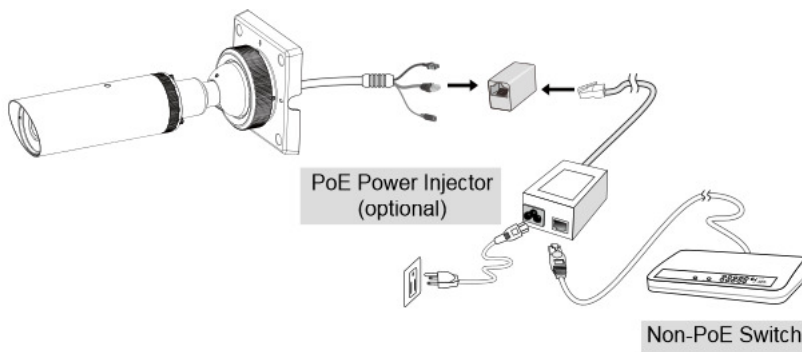
### ● When using a PoE-enabled switch

The Network Camera is PoE-compliant, allowing transmission of power and data via single Ethernet cable. Follow the below illustration to connect the Network Camera to a PoE-enabled switch via Ethernet cable.



### ● When using a non-PoE switch

Use a PoE power injector (optional) to connect between the Network Camera and a non-PoE switch.



## 5 Assigning an IP Address

1. Install the "Installation Wizard 2" from the Software Utility directory on the software CD.
2. The program will conduct an analysis of your network environment. After your network is analyzed, please click on the "Next" button to continue the program.
3. The program will search for VIVOTEK Video Receivers, Video Servers or Network Cameras on the same LAN.
4. After a brief search, the main installer window will pop up. Double-click on the MAC address that matches the one printed on the camera label or the S/N number on the package box label to open a browser management session with the Network Camera.

## 6 Ready to Use

1. A browser session with the Network Camera should prompt as shown below.
2. You should be able to see live video from your camera. You may also install the 32-channel recording software from the software CD in a deployment consisting of multiple cameras. For its installation details, please refer to its related documents.

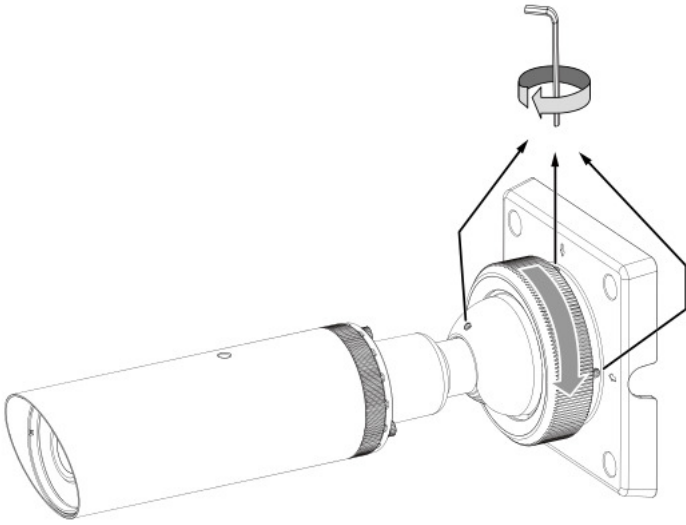


For further setup, please refer to user's manual on the software CD.



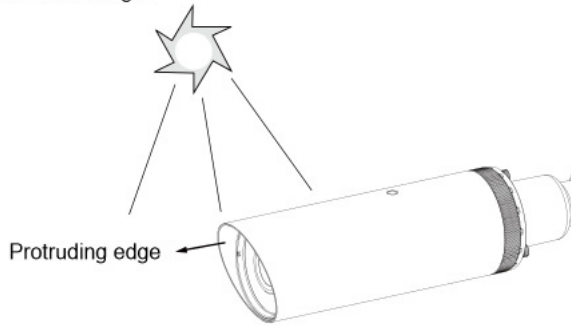
## 6 Secure the Shooting Angle

When you are done with tuning the field of view and obtain a satisfactory image, tighten the fastening ring and the 3 small hex screws on the ball-swivel bracket.



### NOTE:

Orient the camera so that the protruding edge of its sunshield is positioned against the direction of direct sunlight.



EN-8



VIVOTEK INC.  
8F, No.192, Lien-Cheng Rd., Chung-Ho, New Taipei City, 235, Taiwan, R.O.C.  
| T. +886-2-82455282 | F. +886-2-82455532 | E. sales@vivotek.com

VIVOTEK USA, INC.  
2050 Ringwood Avenue, San Jose, CA 95131  
| T. 408-773-8686 | F. 408-773-8298 | E. salesusa@vivotek.com