

# Quick Installation Guide

English | 繁體中文 | 简体中文 | 日本語 | Français | Español | Deutsch | Português | Italiano | Türkçe | Polski | Русский | Český | Svenska | العربية

MD8562/8562D

**Network  
Camera**

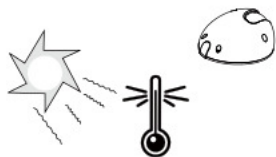
2MP · Vandal-proof · Mobile Surveillance




# Warning Before Installation

- Power off the Network Camera as soon as smoke or unusual odors are detected.

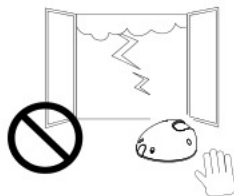
- Refer to your user's manual for the operating temperature.



 Contact your distributor in the event of occurrence.

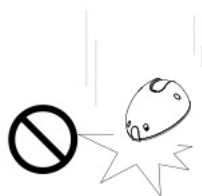
- Do not place the Network Camera on unsteady surfaces.

- Do not touch the Network Camera during a lightning storm.



- Do not insert sharp or tiny objects into the Network Camera.

- Do not drop the Network Camera.



# 1 Package Contents

● MD8562 (PoE)



● MD8562D (With power cord)

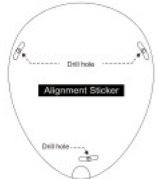


- General I/O Terminal Block
- Ethernet 10/100 RJ45 Plug
- Microphone In (pink)
- Power Cord Socket (black)

● Software CD



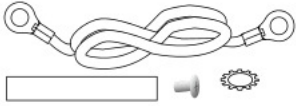
● Alignment Sticker



● Quick Installation Guide / Warranty Card



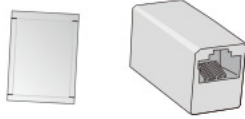
● Ground Wire / Screws



● Screwdriver

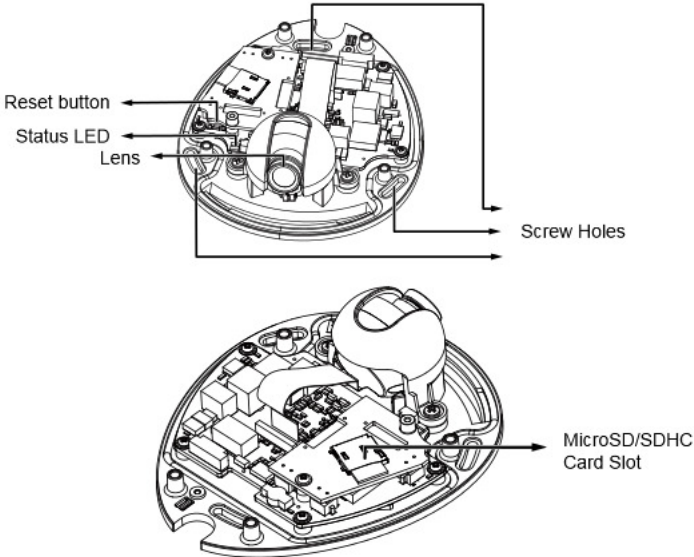


● Moisture Absorber / RJ45 Female / Female Coupler



## 2 Physical Description

### Inner View



### Outer View



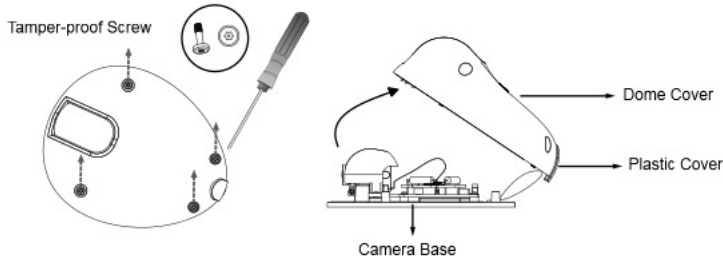
Waterproof Level: IP67

**IMPORTANT!**  
Record the MAC address before installing the camera.



### 3 Hardware Installation

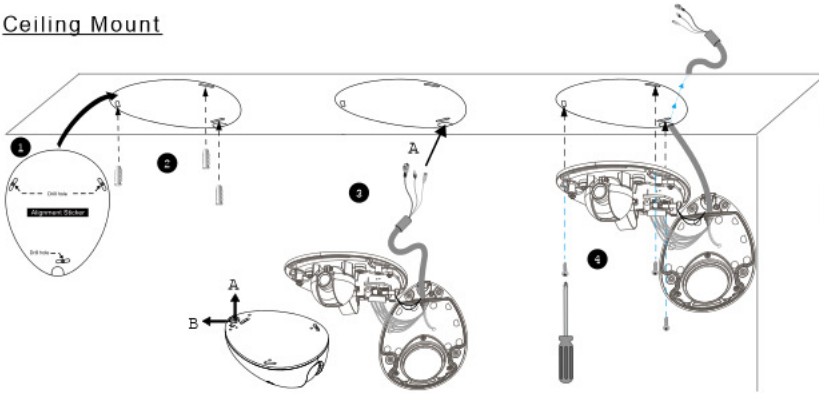
First, use the supplied screwdriver to detach the dome cover from the camera base. Insert your MicroSD/SDHC Card if necessary.



Then, follow the steps below to install the camera to either a ceiling or wall.

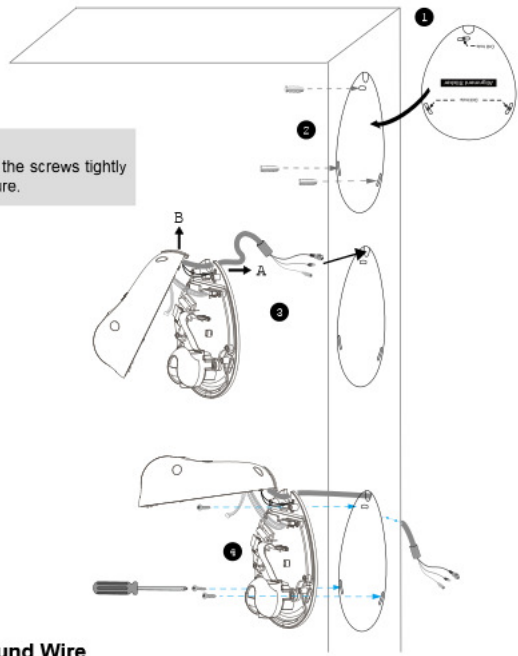
1. Attach the supplied alignment sticker to the ceiling/wall.
2. Using the 3 screw circles on the sticker, drill 3 pilot holes into the ceiling/wall. Then hammer the plastic anchors into the holes if necessary.
3. This Network Camera can be mounted with the cable routed through the ceiling/wall or from the side. If you want to feed the cable through the ceiling/wall, drill a cable hole A as shown in the picture. If the cable goes through the rear opening of the dome cover, please remove the plastic cover (B).
4. Through the 3 holes on the camera base, insert the screws to corresponding holes and secure the camera base with a screwdriver.

#### Ceiling Mount



EN - 4

**IMPORTANT!**  
Please secure the screws tightly  
to avoid moisture.



**Installing the Ground Wire**

As shown in the figure below, secure one side of the supplied ground wire to the screw hole, route the wire, and attach the other end to a junction box or a grounded conduit.

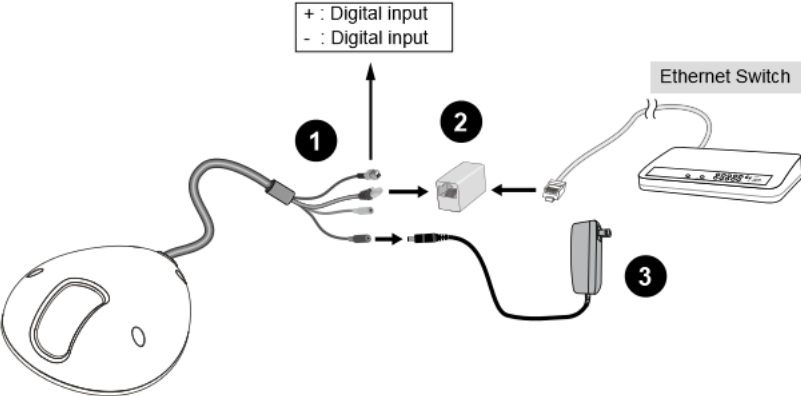


EN - 5

## 4 Network Deployment

### General Connection (without PoE) (MD8562D)

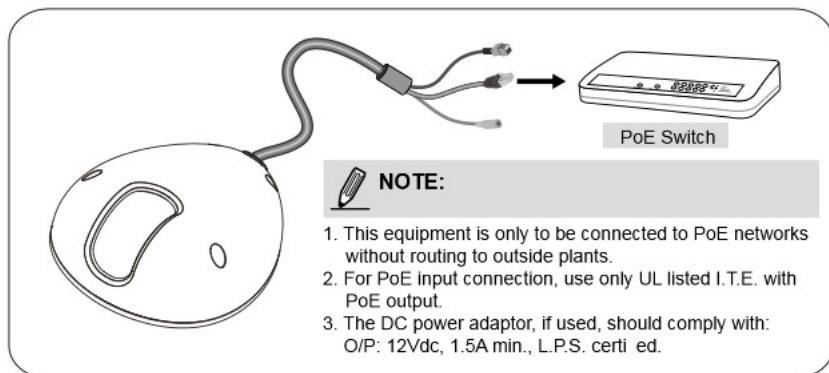
1. If you have external DI devices, make the connection from general I/O terminal block.
2. Use the supplied RJ45 female/female coupler to connect the Network Camera to a switch.  
Use a Category 5 Cross Cable when Network Camera is directly connected to PC.
3. Connect the power cable from the Network Camera to a power outlet.



## Power over Ethernet (PoE) (MD8562)

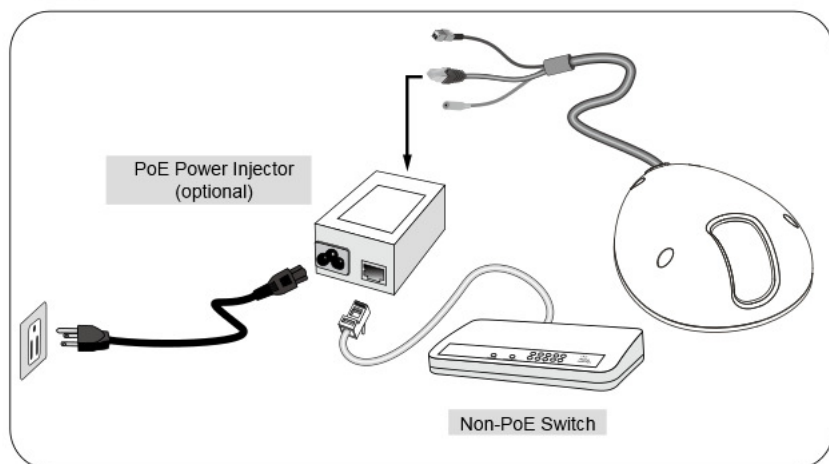
### ● When using a PoE-enabled switch

This Network Camera is PoE-compliant, allowing transmission of power and data via a single Ethernet cable. Follow the below illustration to connect the camera to a PoE-enabled switch via Ethernet cable.



### ● When using a non-PoE switch

Use a PoE power injector (optional) to connect between the Network Camera and a non-PoE switch.





## 5 Assigning an IP Address

1. Install "Installation Wizard 2" from the Software Utility directory on the software CD.
2. The program will conduct an analysis of your network environment. After your network is analyzed, please click on the "Next" button to continue the program.



3. The program will search for VIVOTEK Video Receivers, Video Servers, and Network Cameras on the same LAN.
4. After a brief search, the main installer window will pop up. Double-click on the MAC address that matches the one printed on the camera label or the serial number on the package box label to open a browser management session with the Network Camera.



## 6 Ready to Use

1. A browser session with the Network Camera should prompt as shown below.
2. You should be able to see live video from your camera. You may also install the 32-channel recording software from the software CD in a deployment consisting of multiple cameras. For its installation details, please refer to its related documents.



For further setup, please refer to the user's manual on the software CD.

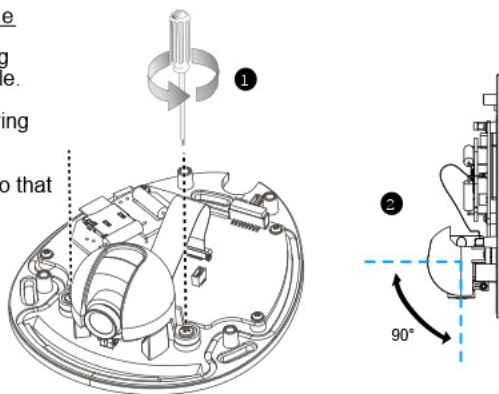
## 7 Adjusting the Lens

### To adjust the viewing angle

Loosen the screws (not removing them) on the sides of lens module.

Adjust the lens to a desired viewing angle as shown on the right.

When done, fasten the screws so that lens orientation can be fixed and withstand shock and vibration.

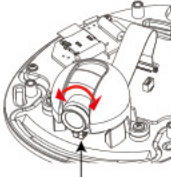


EN - 9

## Fine-tune the Camera Focus

The focus of this network camera is set from 1.0 meter to infinity by factory default. If you want to focus on objects closer than 1.0m or the lens has lost focus, please fine-tune it in the following way.

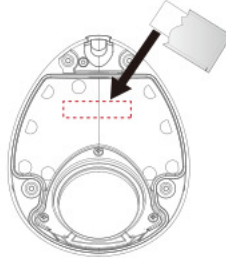
1. Loosen the lens lock screw under the lens module.
2. Manually rotate the lens to fine-tune the focus until the live image is clear.
3. Tighten the lens lock screw.



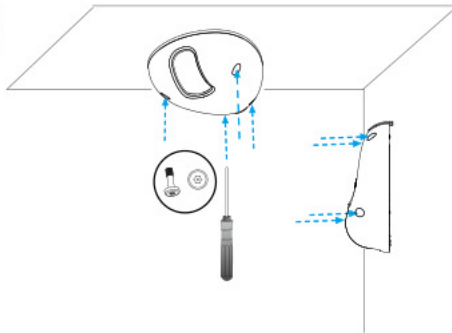
Loosen the lens lock screw.

## 8 Completion

Tear down the aluminum foil vacuum bag and take out the moisture absorber. Attach the supplied moisture absorber to the inner side of the dome cover. (Please replace the absorber whenever you open the dome cover.)



Attach the dome cover to camera. Secure the dome screws with the supplied screwdriver. Finally, make sure all parts of the camera are securely installed.



**IMPORTANT!**  
Please secure the screws tightly to avoid moisture.

