

ZAVIG



» **D7320/ D7510**

Quick Installation Guide

Zavio D7320/ D7510 Quick Installation Guide

Please follow the installation steps below to set up your D7320/ D7510 Dome IP Camera.

Check the package contents against the list below. *See P.1*

Physical overview *See P.2*

LED Indicator Definition *See P.2*

DI/ DO Diagram *See P.3*

I/O Terminal Pin Definition *See P.3*

Install the hardware and connect all cables *See P.4*

Microsoft OS: Use the software CD to install Intelligent IP Installer *See P.7*

Access the IP Camera using Intelligent IP Installer *See P.7*

Mac OS using Safari Browser *See P.9*

Change light environment setting *See P.9*

Change the Web Interface into your preferred language *See P.10*

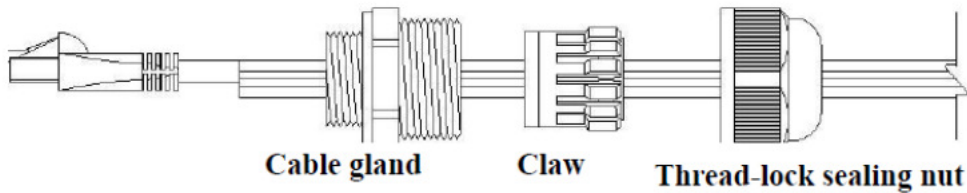
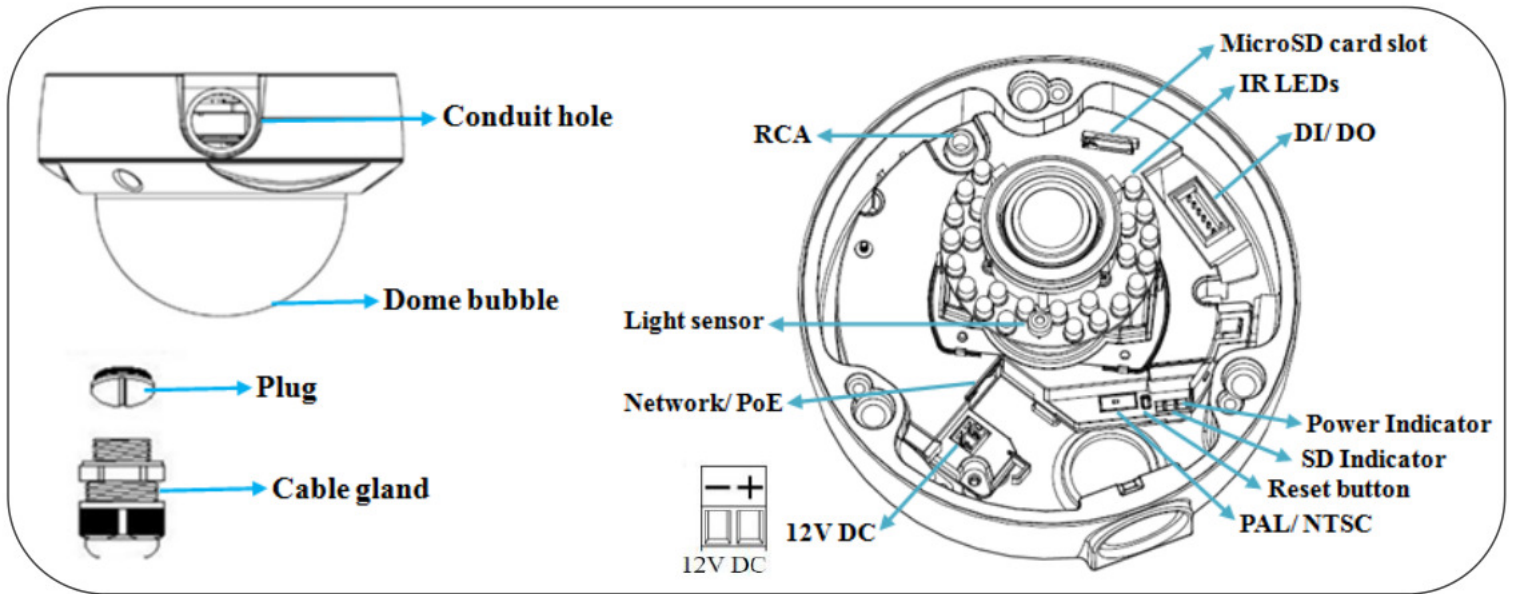
Application of IP Camera *See P.10*

For more information, please check the User Manual available in the Software CD or you can download the latest software from <http://www.zavio.com>

Package Contents

| | |
|---------------------------------|--------------------------------------------------------------------------------------------------|
| Camera | D7320/ D7510 IP Camera |
| Quick Installation Guide | Brief product information and quick installation |
| Software CD | Intelligent IP Installer IP Surveillance Software IP Camera User Manuals Language Packs |
| Accessory | Three plastic anchors and screws Alignment sticker 6pin I/O terminal block |

Physical overview



Note: The size of Cable gland is M25*1.5

LED Indicator Definition

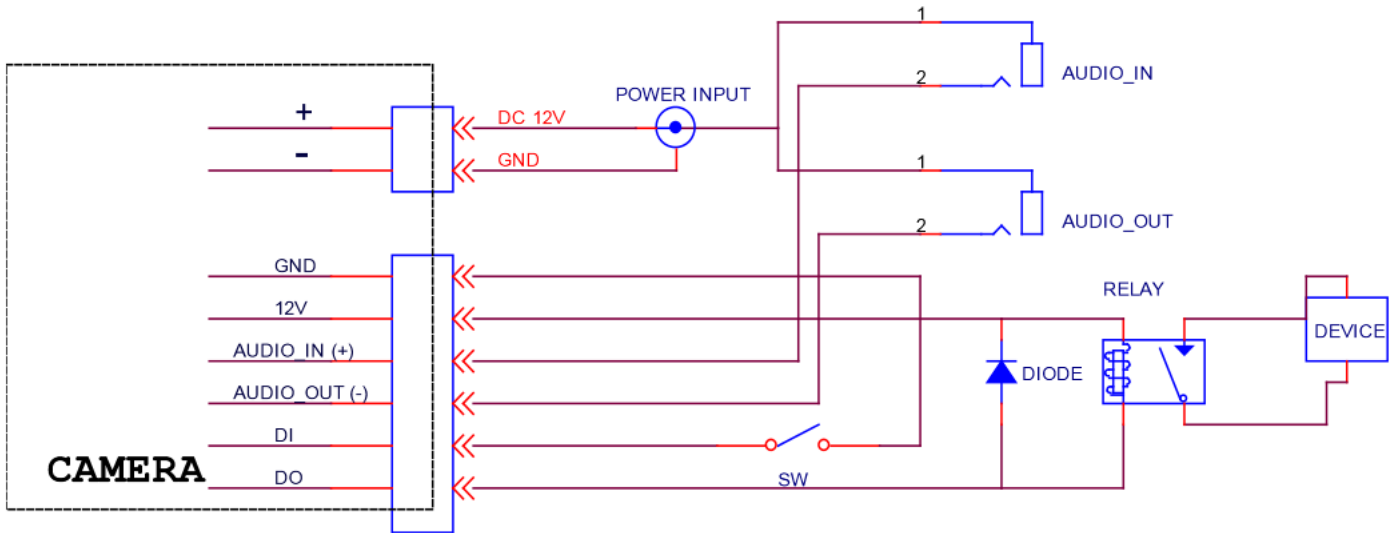
| LED | Color | Indication |
|---------|--------|-----------------------------------------|
| Network | Green | Steady green for Network link. |
| | Orange | Flash orange while Network activity. |
| Power | Red | Steady red for booting up process. |
| | Blue | Steady blue for booting up completion. |
| | Purple | Flash purple during firmware upgrading. |
| | Unlit | When you press reset button. |
| SD Card | Orange | Steady orange means SD card ready. |
| | | Flashes orange while accessing SD card. |

Reset: When the device is empowered, press the Reset Button to reboot the device, or hold the Reset Button for 10 seconds to set the settings back to factory default.

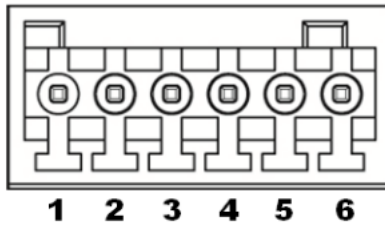
Reset process: Press reset button until indicator unlit > steady red (booting up process) > steady blue (booting up completion)

Reset to default process: Press until indicator steady blue > steady red (booting up process) > steady blue (booting up completion)

DI/DO Diagram



I/O Terminal Pin Definition

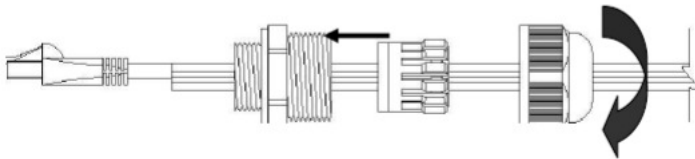


| PIN | Definition | Description | Max. V/A |
|-----|------------------|--------------------------------------------------------------------------------------------------------------------------------------------------------------------------------------------------|----------------|
| 1 | Ground | | - |
| 2 | + 12V DC | | 12V DC 1.2W |
| 3 | AUDIO_In(+) | Unbalanced, 1.4Vp-p, 1Vrms, terminal block | - |
| 4 | AUDIO_Out(-) | Unbalanced, 1.4Vp-p, 1Vrms, terminal block | - |
| 5 | Digital Input 1 | Connected to GND to activate, or leave floating (or unconnected) to deactivate. | 30V DC |
| 6 | Digital Output 1 | Uses an NPN transistor with the emitter connected to the GND pin. If used with an external relay, a diode must be connected in parallel with the load for protection against voltage transients. | 100 mA 24V |

Install the hardware and make all cable connection

a. Install the hardware

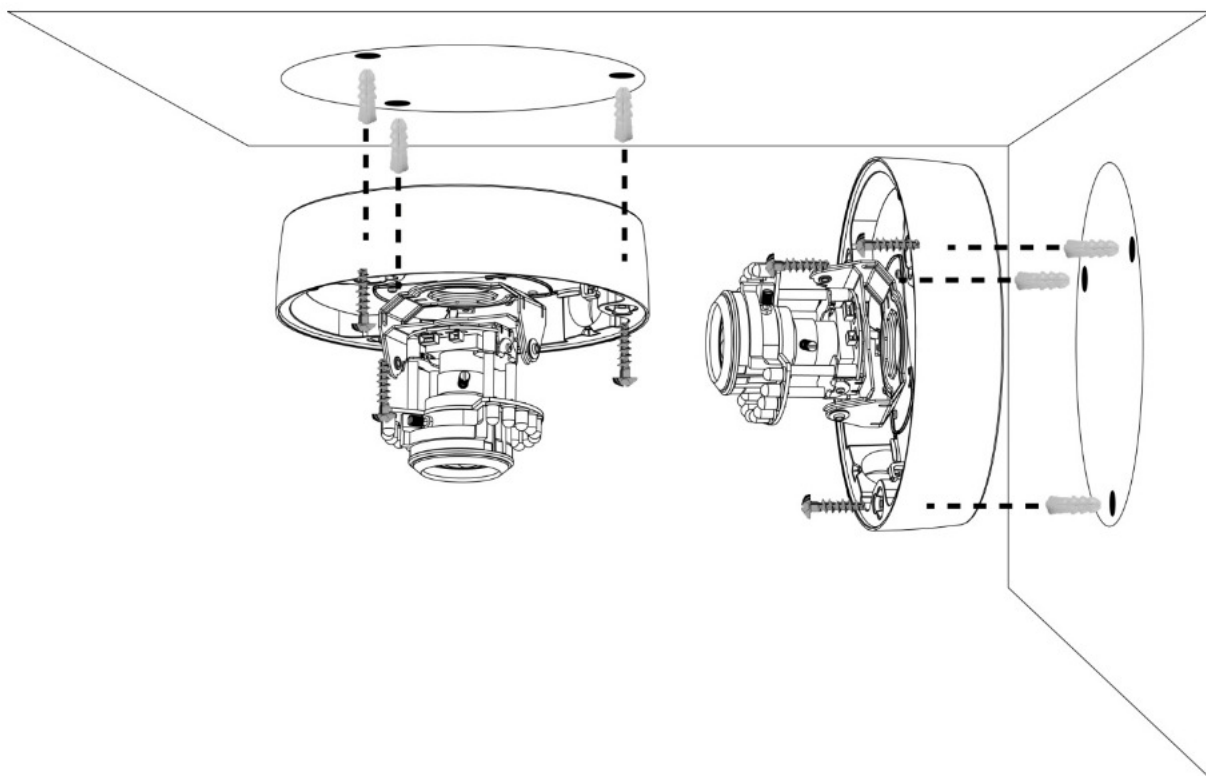
1. Connect the adaptor to the supplied 2pin I/O terminal block which shows positive and negative polarity on it. Please make sure the marked red wire should connect with the positive polarity or device won't work.
2. Loosen the tamper-proof screws using supplied special hex wrench and remove the dome cover from the rugged dome. Be careful do not scratch the cover glass.
3. Disassemble the cable gland.
4. Thread the network and I/O cable (power/digital input and digital output) through thread-lock sealing nut, claw (using the claw to round all cable) and cable gland. To seal all cable in the claw part tightly in case of water leaking.
5. Attach the cable gland to the conduit hole on the side or bottom of the rugged dome. Push the claw into the cable gland and tighten thread-lock sealing nut to secure the cables.



6. Use the supplied blind plug to fill unused conduit hole.
7. Use the cable gland is optional. For vandal-proof requirement of the cables, use vandal-proof conduits instead.

b. Wall mounting and Ceiling mounting

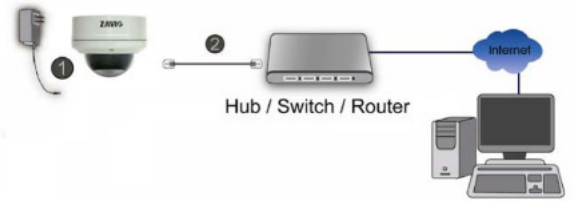
1. Attach the alignment sticker to the wall/ceiling and drill two pilot holes into it.
2. Hammer the supplied plastic anchors into the holes.
3. Align the three holes on the base of camera with the three plastic anchors on the wall and ceiling, insert the supplied screws to the corresponding hole and screw them.



c. Connect all cables

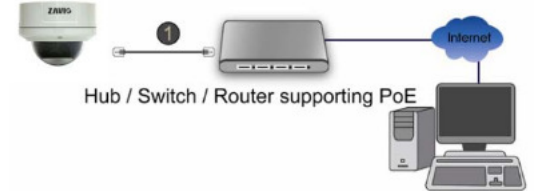
c1. Without Power over Ethernet (PoE) connection

1. Connect the power adaptor to the IP Camera.
2. Using a standard RJ-45 network cable, connect the IP Camera to a normal Hub / Switch / Router.



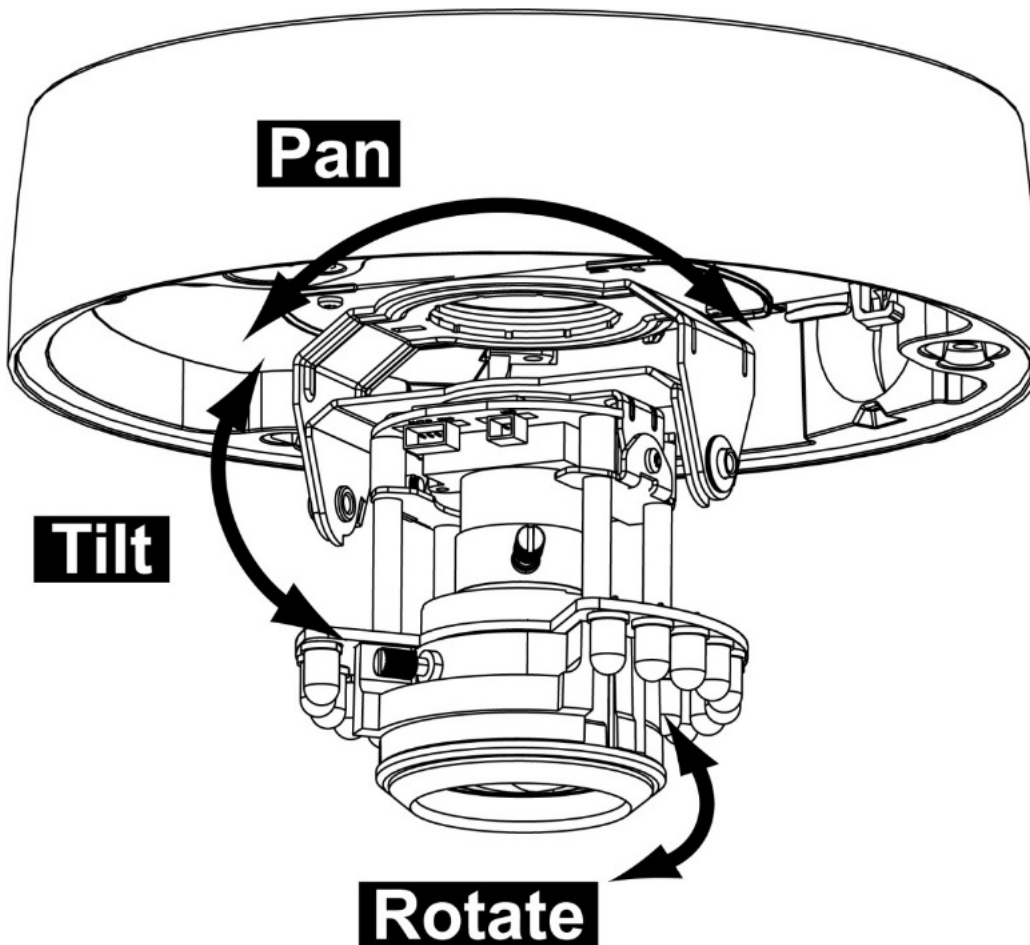
c2. Power over Ethernet (PoE)

1. Using a standard RJ-45 network cable, connect the IP Camera to a PoE-enabled Hub / Switch / Router.



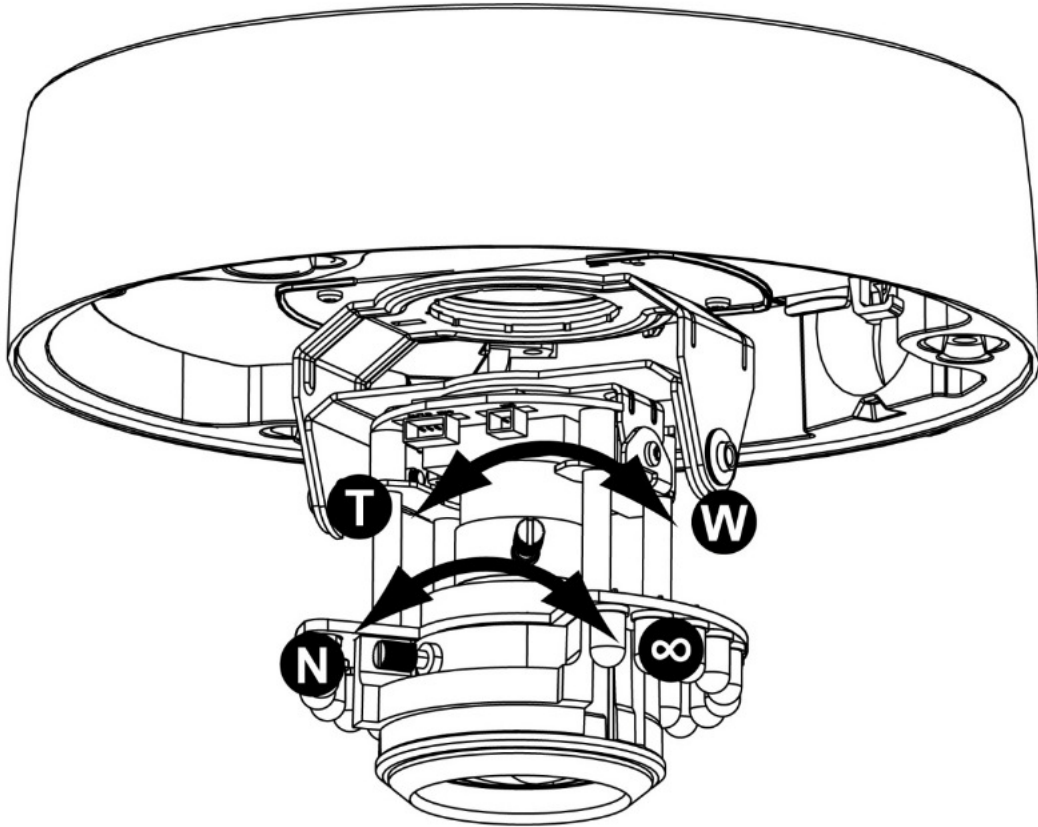
d. To adjust the view angle- 3 axis Mechanism Design

1. Turn the lens module right and left to your desired pan position.
2. Turn the lens module up and down to your desire tile position.
3. Turn the lens module to adjust the image orientation to satisfied angle.



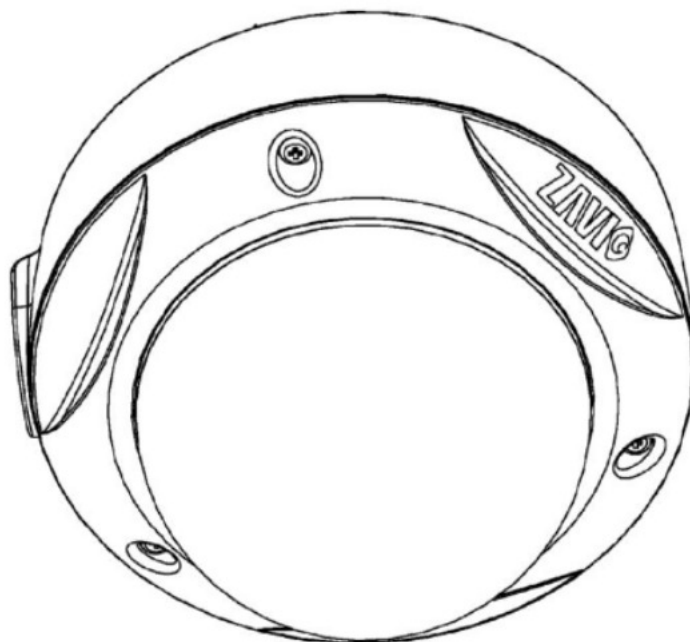
e. To adjust zoom puller and focus puller

1. Loosen the zoom and focus pullers anti-clockwise to adjust the desire zoom range and focus.
2. Lock the zoom and focus pullers by rotating the screw clockwise after get satisfied focus.



f. Completion

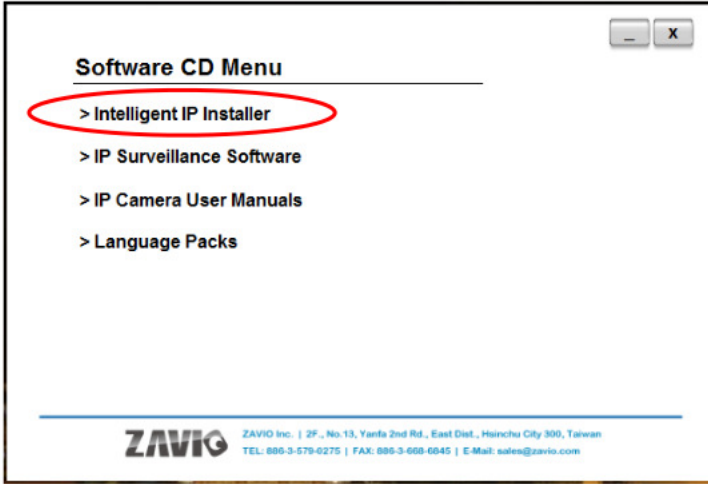
1. Clean the dome bubble to remove the dust and finger print.
2. Fix the tamper-proof screws using supplied special hex. Be careful do not scratch the cover glass.
3. The installation is complete now.



Microsoft OS: Use the software CD to install Intelligent IP Installer

Power on your PC and insert the CD-ROM. The setup page will show up automatically. Please follow these steps to install the firmware.

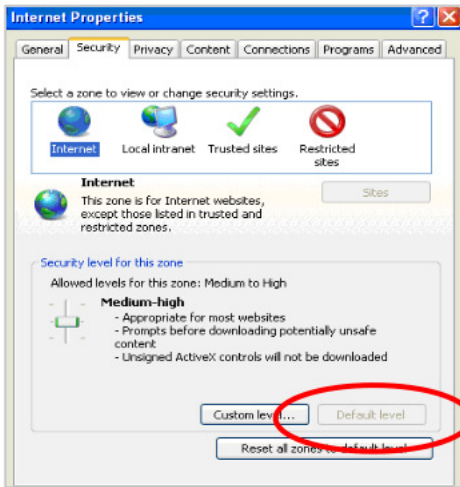
Select “**Intelligent IP Installer**” and follow the installation process to complete the installation.



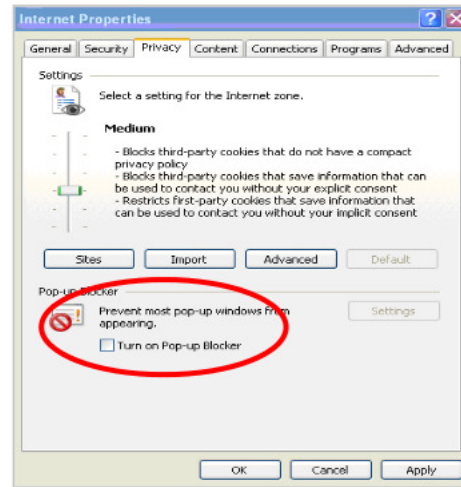
Access the IP Camera using Intelligent IP Installer

1. Please check two settings before using Intelligent IP Installer.

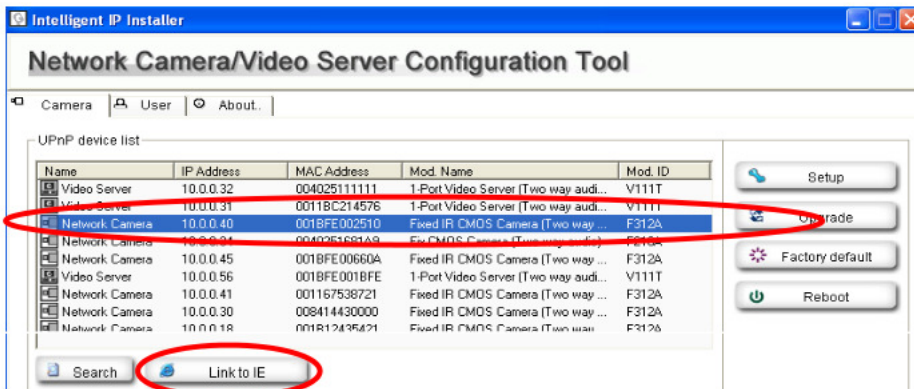
a. Browser's Internet Properties → Security
→ **Default Level**



b. Browser's Internet Properties → Privacy
→ **Uncheck Pop-up Blocker**



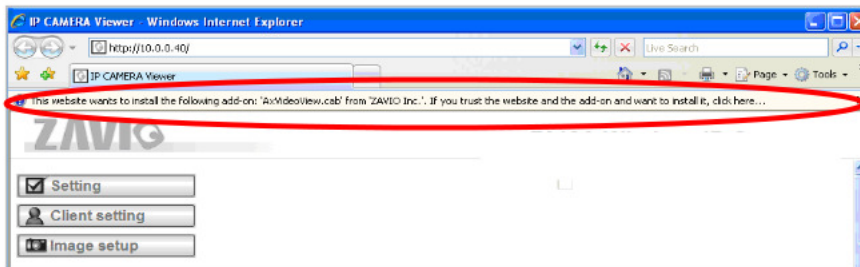
2. Click the Intelligent IP Installer Icon on your desktop. The main page will show up listing all active camera and video server devices. Select the relevant IP camera from the list and click **Link to IE**.



3. Enter your Username and Password to login to the IP Camera.
(Default is admin / admin)



4. When accessing the IP Camera for the first time, a yellow information bar appears below the address bar:
This website wants to install the following add-on: 'AxvideoView.cab' from 'Zavio Inc'.



5. Click the information bar, and select **Install ActiveX control**.



6. Click **Install**.

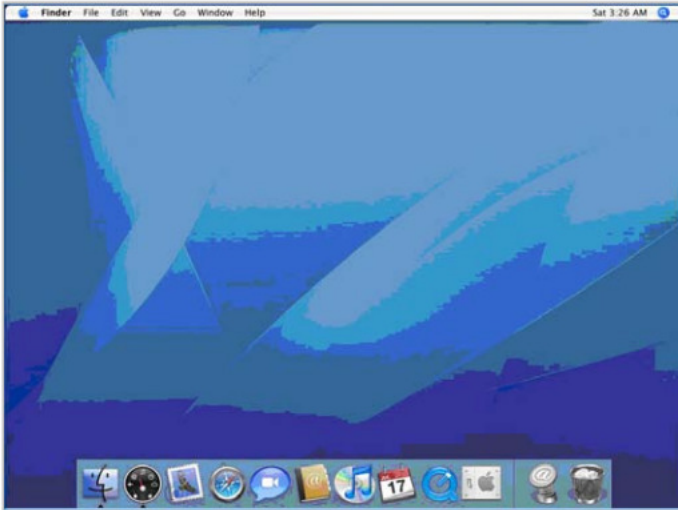


7. Live video displays in the centre of your web browser.

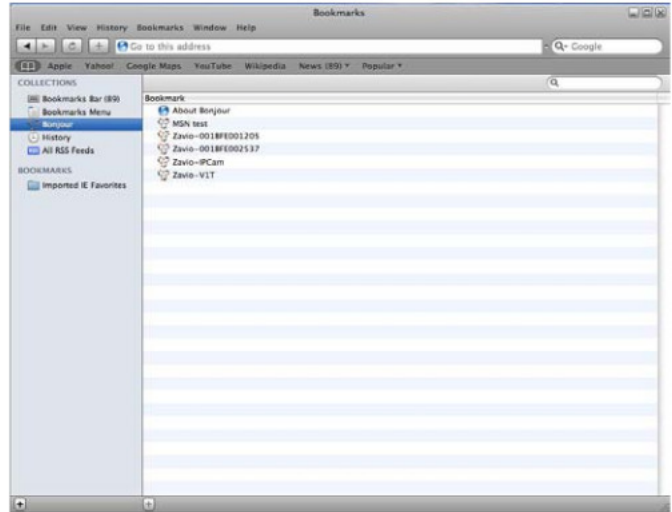


Mac OS using Safari Browser

1. Select Safari icon



2. Click **Bonjour** function and select the camera you wish to access.



3. Enter name and password to login to the IP camera. (Default is admin / admin)



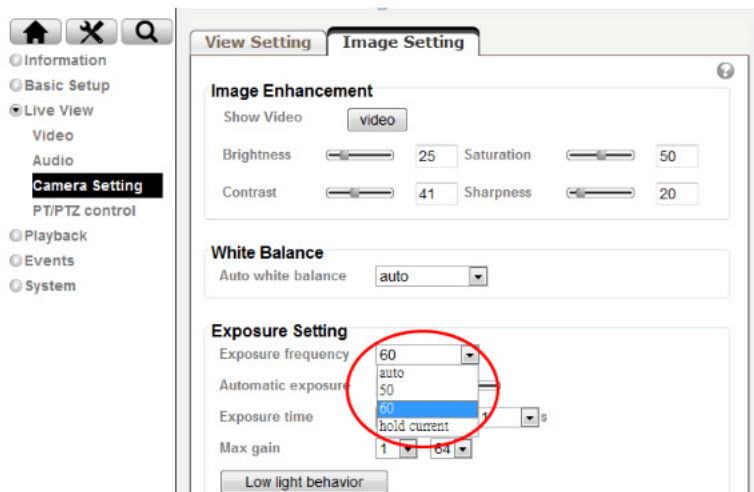
4. The monitor image will be displayed in your browser.



Lighting environment setting

The default setting of lighting environment is **Auto**. However, you may also select 50 or 60 Hz upon the lighting environment of your country.

Go to "Setting > Live View > Camera Setting > Image Setting", select the environment setting you wish.

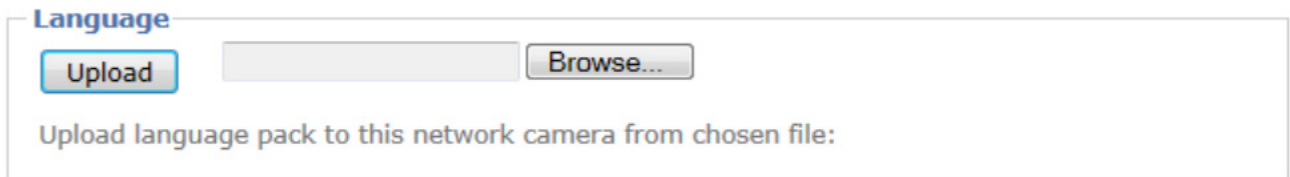


Change the Web Interface into your preferred language

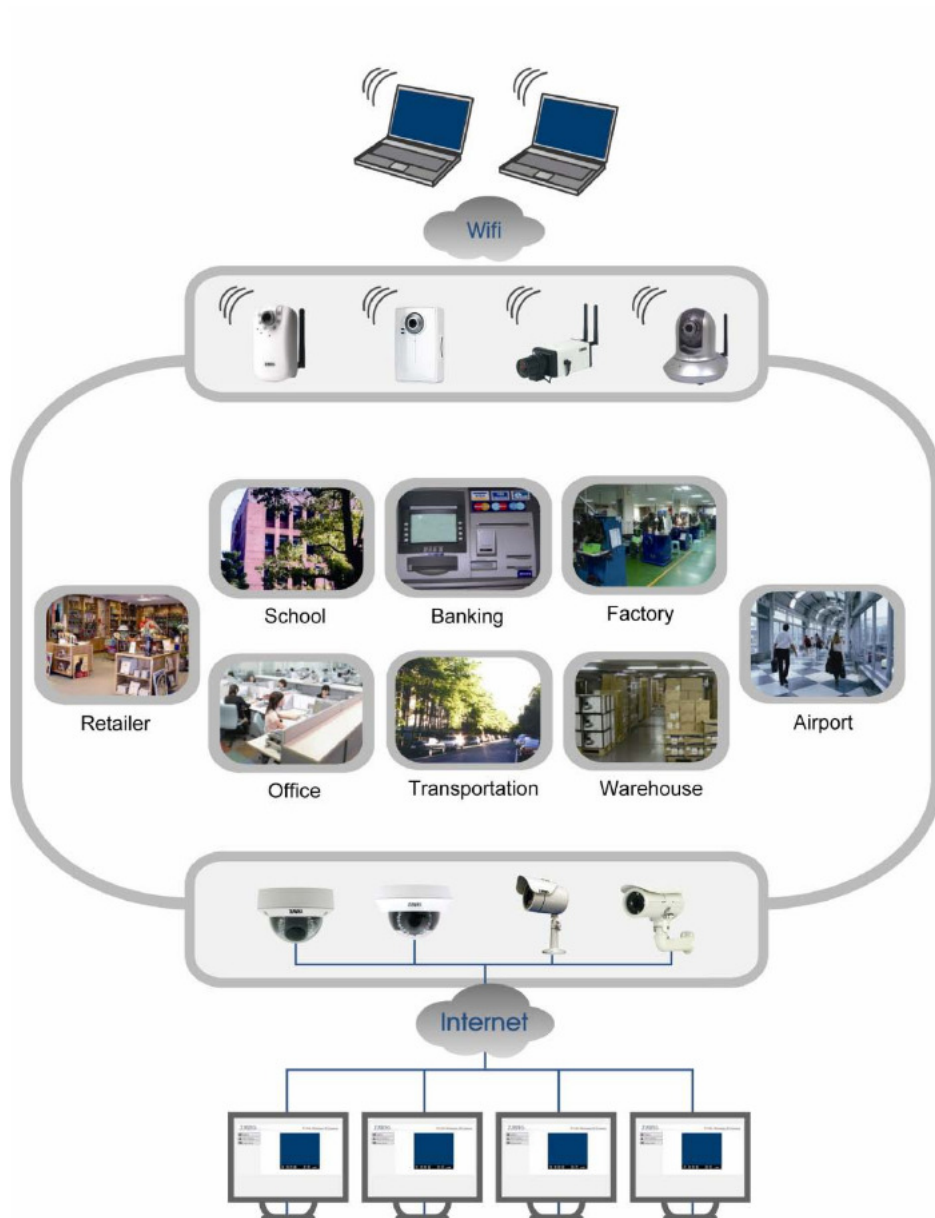
Use the settings screen to set the language of the Web Interface.

Go to “Setting > System > Maintenance ”.

1. Insert Software CD into your CD-ROM.
2. Browse and select the preferred language from language pack in the Software CD and then click OK.
3. The web interface will change into your preferred language.



Application of IP Camera



ZAVIO
www.zavio.com