

P8220 | Speed Dome 2MP Outdoor IR Speed Dome

www.zavio.com

ZAVIO
Innovating IP since 2006



- 1/2.8" 2MP Starlight CMOS sensor
- 20x Optical Zoom
- Smart Codec + H.265
- 1080p @ 30fps
- 120dB WDR
- 150m IR range with Adaptive IR
- ROI (Region Of Interest)
- Defog
- Operating conditions -40~ 60°C
- Micro SD/SDHC/SDXC card slot up to 128GB
- Two-way audio
- 2 alarm in / 1 alarm out
- 24V DC, 24V AC & PoE (802.3at)
- IP66 / IK10
- ONVIF 2.4 & Profile S

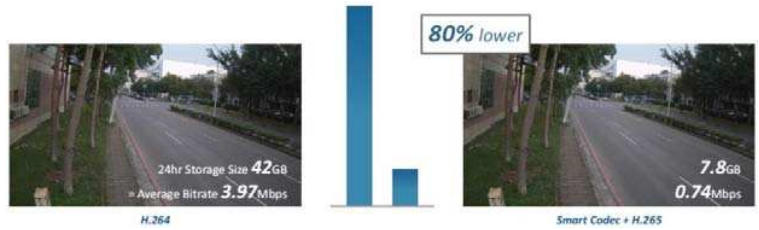
The ZAVIO P8220 is an Outdoor IR Speed Dome Camera, featuring 2MP resolution, 20x optical zoom, 150m IR distance, and latest H.265 compression to cut bandwidth in half, with ZAVIO's smart codec feature further lowering bandwidth and storage consumption to 80% less than normal H.264 cameras. Sony 1/2.8" starlight sensor and class-leading WDR to handle the most challenging lighting conditions. Featuring Adaptive IR that not only automatically adjusts the power of the IR illuminators, but also it's angle, to provide the best image possible.

Compatible with ZAVIO CamGraba 2.0, the most professional free NVR software that can support up to 64 IP cameras.

Features

Smart Codec + H.265

ZAVIO Smart Codec + H.265 reduces bandwidth and storage requirements by a stunning 80% compared to standard H.264 camera.



WDR off



WDR on

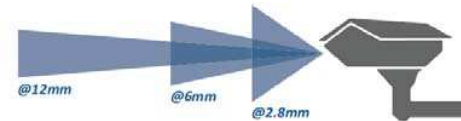
WDR

Cameras with WDR will take multiple exposures of the full scene and merge them together to provide an image that extends further than the human eye can perceive.

Adaptive IR

ZAVIO Adaptive IR provides 2 dimensions adaptation:

- 1) The angle of the IR illuminators automatically changes in sync with the camera's zoom position.
- 2) The brightness of the IR illuminators automatically adjusts to the scene content, effectively avoiding overexposure of objects that are too close to the camera.



Adaptive IR: Off



Adaptive IR: On



Other Cameras

ZAVIO Starlight Cameras

Starlight

Combined with cutting-edge sensor technology, advanced noise reduction and high frame rate, Starlight cameras can capture highly detailed color images of fast moving objects even under challenging lighting conditions.

ROI (Region Of Interest)

Defining a Region Of Interest will allow you to spend less bandwidth in areas that are less important while relocating resolution on the most relevant areas.



Technical Specifications

Camera

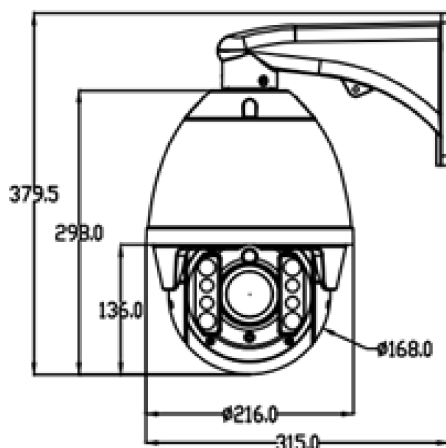
Camera Type	2MP Outdoor IR Speed Dome
Image sensor	1/2.8" Starlight CMOS sensor
Lens	5.5-110mm, F1.6(W)-3.5(T)
Horizontal view angle	51° - 2.60°
IR working distance	150m effective range with Adaptive IR
Min illumination	0.001 lux @ F1.6 (color) 0.0001 lux @ F1.6 (B/W)
WDR	120dB
Day/Night function	Mechanical IR cut filter, Light sensor

Video & Audio

Resolutions	Motion JPEG/H.264/H.265: 2 Profile from 1920 x 1080 to 320 x 240 (total 5 resolutions) 2 Profile from 640 x 480 to 320 x 240 (total 3 resolutions)
Video compression	Motion JPEG H.264 baseline/ main profile/high profile H.265
Frame rate	H.265/H.264: up to 30 fps at 1920 x 1080 Motion JPEG : up to 30 fps at 1920 x 1080
Video streaming	Simultaneous Motion JPEG, H.264, H.265 Controllable frame rate and bandwidth Support unicast (Real Time Streaming Protocol)
Image settings	Rotation: mirror, flip, mirror flip Brightness, contrast, saturation, sharpness Overlay capabilities: time, date, text and privacy Image ROI 3D DNR Defog
Audio support	Two-way audio
Audio compression	G.711A

I/O & Connector

Ethernet	RJ-45 Ethernet 10/100 Base -T
Power Supply	Terminal block, - 24V DC, + 24V DC, GND Power consumption: Max 36W PoE(Power over Ethernet) built-in IEEE 802.3at
Alarm I/O	Terminal block, 2/1
Audio connector	RCA
Analog video output	BNC
RS-485	-
Edge storage	Micro SD/SDHC/SDXC up to 128GB
Buttons	Reset push button
Other(s)	-



Alarm & Event

Input	Alarm buffer, alarm input, motion detection, audio detection, periodical, network link down.
Output	Network storage, edge storage, FTP, SMTP, HTTP event, HTTPS, alarm out pre and post event image.

Network

Users	10 simultaneous users
Security	Multiple user access levels with password protection, HTTPS encryption
Supported protocols	IPv4, IPv6, Bonjour, TCP/IP, DHCP, DNS, DynDNS, PPPoE, ARP, ICMP, FTP, SMTP, NTP, UPnP, RTSP, RTP, RTCP, HTTP, HTTPS, SSL, TCP, UDP
ONVIF	2.4 & Profile S

General

Housing	Aluminum Alloy
Ingress Protection	IP66 rated weatherproof housing
Impact Protection	IK10 rated vandal-proof housing
Other(s)	-
Operating conditions	Starting temperature: -20 ~ 60°C Humidity 10-100% RH Working temperature: -40~ 60°C Humidity 10-100% RH
Dimensions(HxWxD)	Ø216 x 379.5mm
Weight	8.5kg excl. power supply
Included accessories	Quick installation guide, wall mount, mounting and connector kit.
Certification	CE, FCC, RoHS
Language	Chinese, Croatian, Czech, Danish, Dutch, English, French, German, Greek, Hungarian, Italian, Japanese, Korean, Polish, Portuguese, Russian, Slovak, Spanish, Swedish, Turkish

System Requirements

Operating system	Windows XP / 7 / 8 / 8.1, MAC OS, Linux
Browser	Internet Explorer 9 / 10 / 11, Chrome, Firefox, Safari

Software

Video management software	ZAVIO CamGraba 2.0 IP System software, for viewing, recording and archiving up to 64 cameras.
Installation, management and maintenance	ZAVIO Installation Tool makes camera management easier with camera image preview, firmware upgrade of multiple cameras, reset cameras to default while keeping network settings, etc.

