

SCB-C08

USB to RS232/422/485 Converter



Specifications

USB Interface	Compliant with USB V1.0 and V2.0
RS-232 signal	5 full-duplex (TXD, RXD, CTS, RTS, GND).
RS-422 signal:	4 half-duplex wires (TX+, RX+, TX-, RX-).
RS-485 signal:	2 half-duplex wires (D+, D-).
Cable Type	USB type A to type B.
Transmission distance	RS485 Up to 4000ft (1200M).
Signal LED	Power on, TX, RX.
Direct power from USB port	Support
Power consumption:	1.2W
Dimension	151 x 75 x 26 mm

Introduction

SCB-C08 is an independent control device for managing signals from RS-232, RS-422 and RS-485.

NUUO, INC.

Room 505, B Block, No.18, Sihyuan st. Jhongjheng District, Taipei, Taiwan (R.O.C)
 TEL: +886-2-2362-2260 FAX: +886-2-2362-2296

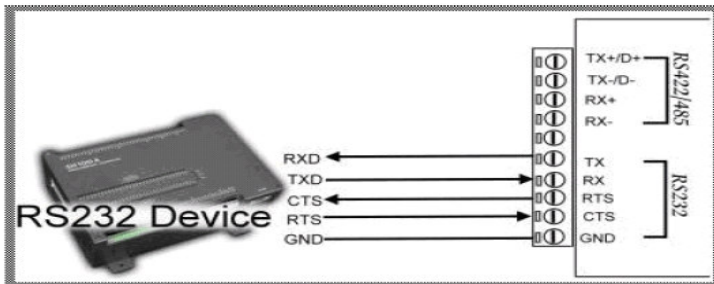
Devices such as I/O relay device or speed dome can be easily control by SCB-C08.

1. Power Connection (USB Internal Bus)

Direct power input from USB bus port, current 100mA/+5V, no external power necessary

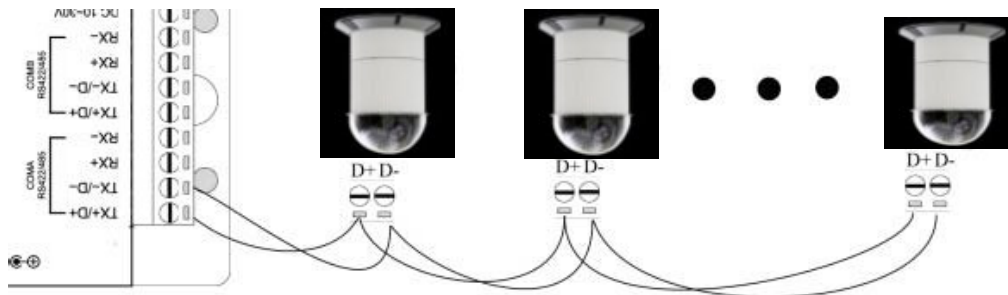
2. RS-232 wiring connection

The RS-232 supports 5 channels plus Signal Ground and is configured as DTE like a computer. Signals are single ended and referred to Ground. To use handshaking or flow control user must set Host PC's RTS/CTS during configuration. Refer to the pin assignment for connection as below.

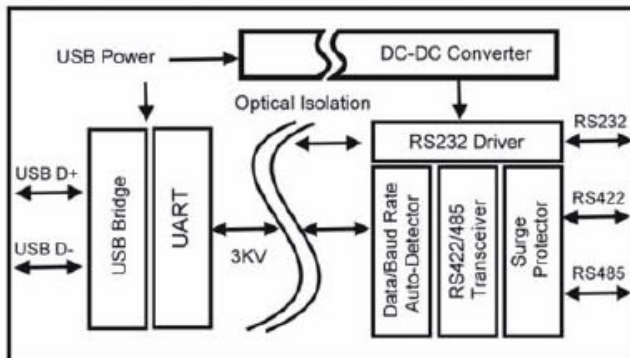


3. RS-485 Wiring connection

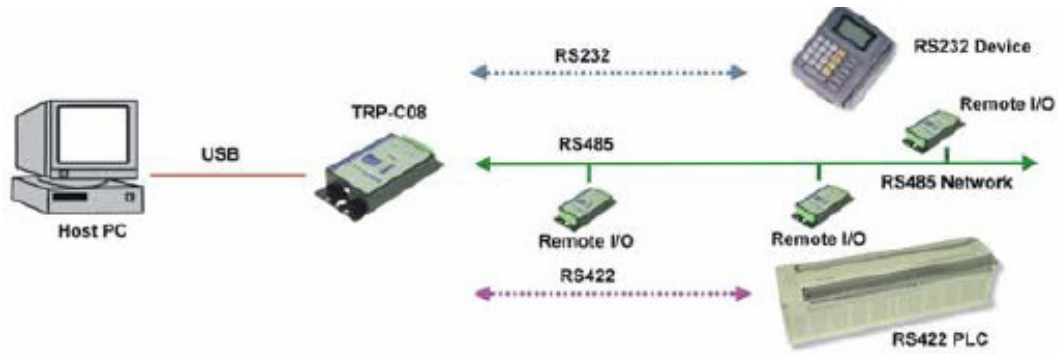
The RS-485 mode supports the Transmit and Receive channels using 2-wire half-duplex operation. Refer to the pin assignment for connection as below.



4. Block Diagram



5. Application Note



NUUO, INC.

Room 505, B Block, No.18, Sihyuan st. Jhongjheng District, Taipei, Taiwan (R.O.C)
TEL: +886-2-2362-2260 FAX: +886-2-2362-2296