

## SCB-C26

### 16-ch Digital Input Insolated RS485 Module



### Specifications

<b>Input Channel</b>	16 digital input channels with counter
<b>Counter Channel/Frequency</b>	16 / 100Hz
<b>Communication Interface</b>	RS-485 differential 2 half / duplex wires
<b>Communication Speed</b>	Baud rate from 1.2 Kbps to 115.2 Kbps
<b>Transmission distance</b>	RS485 Up to 4000ft (1200M).
<b>Signal LED</b>	Power on, all input channels
<b>Dual watchdog</b>	Reset circuit module / Host operating status
<b>Power supply</b>	Screw terminal, or external DC adapter
<b>Power consumption:</b>	1.5W
<b>Dimension</b>	151 x 75 x 26 mm

### Introduction

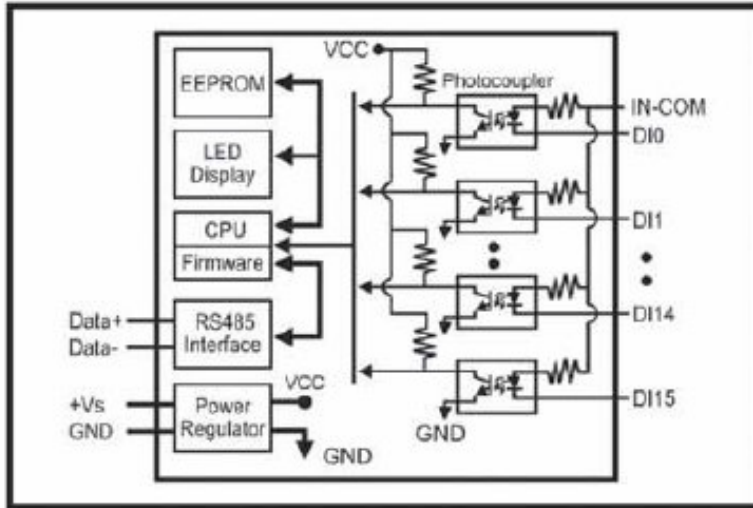
**SCB-C26** provides 16 optical isolated digital input channels and all of them can be used as counter. All channel features screw terminals for convenient connection of field signals as well as LED's to indicate channel status. All inputs are equipped with photo-couplers to protect the module against high voltage spikes

#### NUUO, INC.

Room 505, B Block, No.18, Sihyuan st. Jhongjheng District, Taipei, Taiwan (R.O.C)  
 TEL: +886-2-2362-2260 FAX: +886-2-2362-2296

and ground potential differences.

### 3. Block Diagram



### 4. Application Note

