

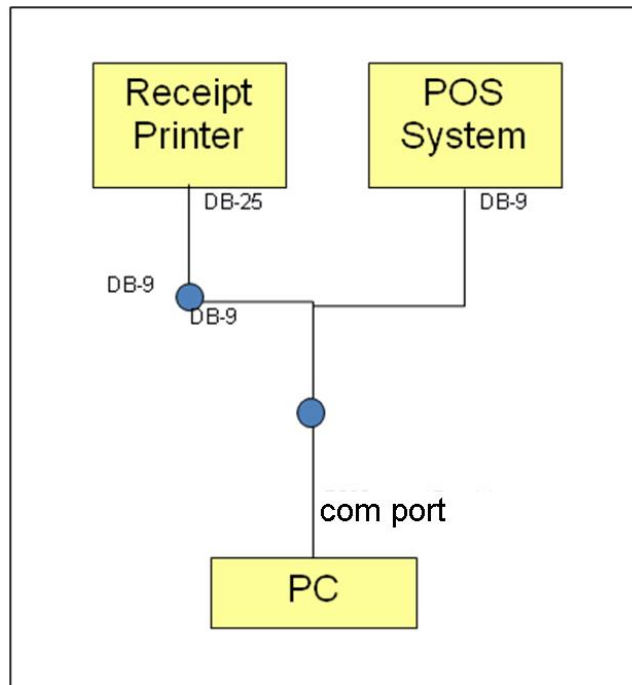
POS System Printer Test via HyperTerminal

Hyper Terminal can be used to test the POS printing mode is well connected to PC through com port. If you can get transaction data from cash register showed as in step 9, your cash register is compatible with NUUO SCB-C31 POS solution. This manual would take DB-9 connector as POS system's illustration. Please follow below steps:

Test using a RS232 to USB cable

To test POS printing mode with a RS232 to USB cable, the setting is illustrated as the figure: POS system and receipt printer are connected by DB-9 cable to PC through com port.

*RS232 Y cable and RS232 NULL modem cable are essential for connecting to PC.

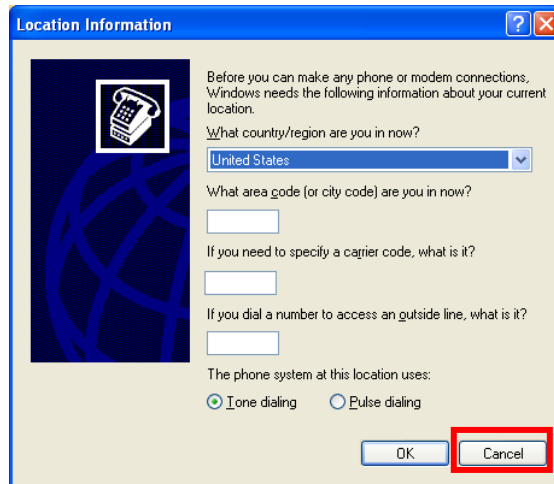


POS System Printing Mode Detect Procedure

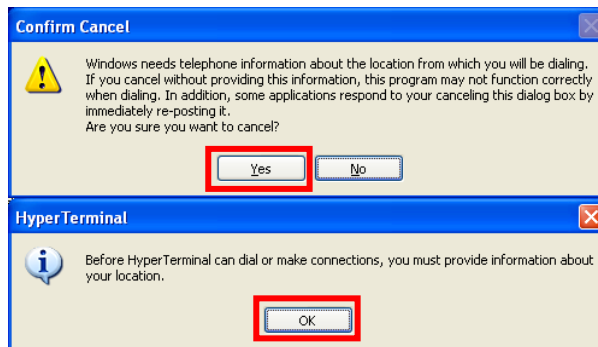
1. Please go to **Start > All Programs > Accessories > Communication > HyperTerminal**



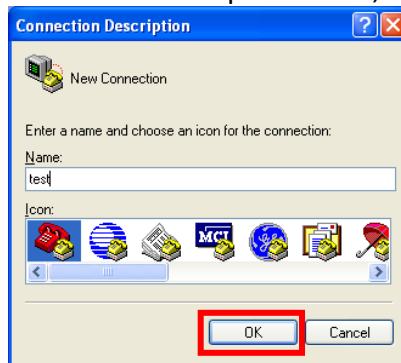
2. Please click **Cancel** to close *Location Information* window.
If the connection is established, transaction data would appear as strings in the *HyperTerminal* box. If not, please go to next step.



3. Click **Yes** to confirm close this window, and then click **OK** to close *Hyper Terminal information* window.



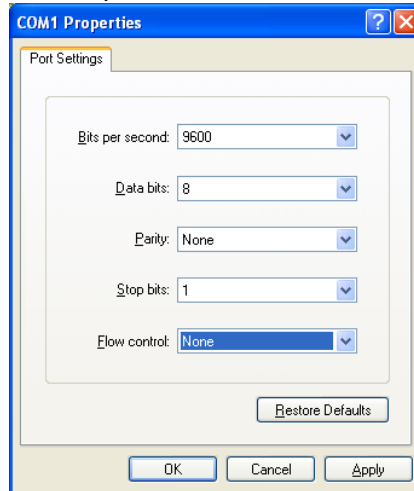
4. In *Connection Description*, key-in **Name** for the printer test, and then click **OK**.



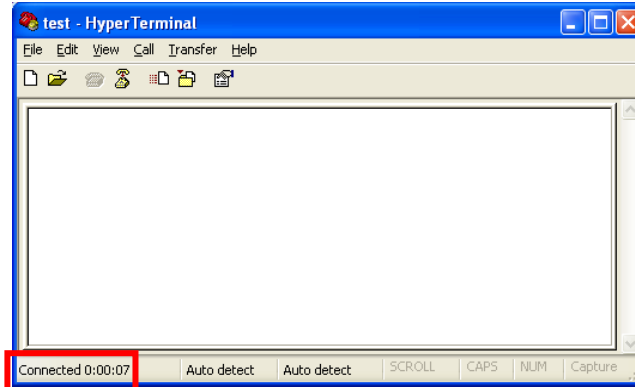
5. If the *Location Information* panel appears again, follow the former procedure as step 2 and 3.
6. On the *Connect to* panel, choose COM port on Connecting form column and click **OK** to open *Properties* window.



- In the *Properties* window, according the corresponding port to setup Bits per second, and then set **None** in Parity and Flow control options.



- Then, below window would open and show connecting time in down-left corner.



- Key in items form Cash Register, if the connection established, transaction data would appear as strings in the HyperTerminal box as below figure.

