



With Sunshield

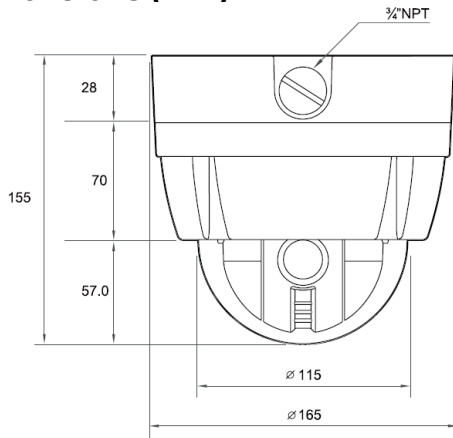


Without Sunshield

Features

- 12x Optical Zoom, 32x Digital Zoom
- 650TVL(Color), 700TVL(B/W)
- 360° endless rotation
- WDR/DIS/DNR/DSS/HLC
- Preset/Auto Scan/Pattern/Group
- Vector Drive
- Micro-Stepping Technology
- True Day & Night, double filter auto switch
- AC24V/DC12CV

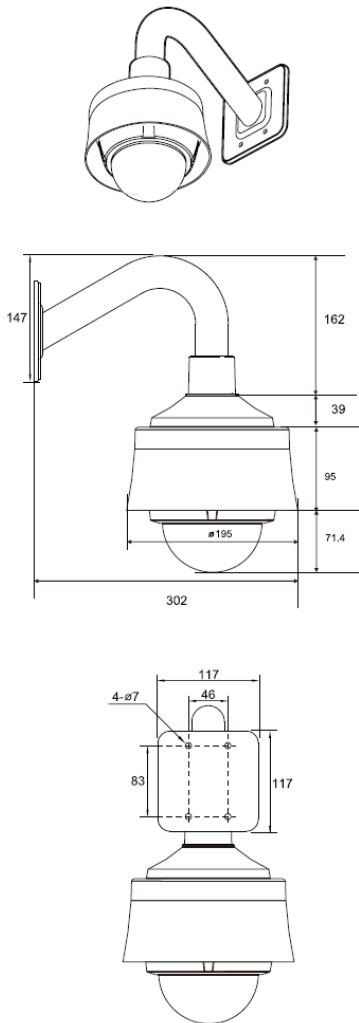
Dimensions (mm)



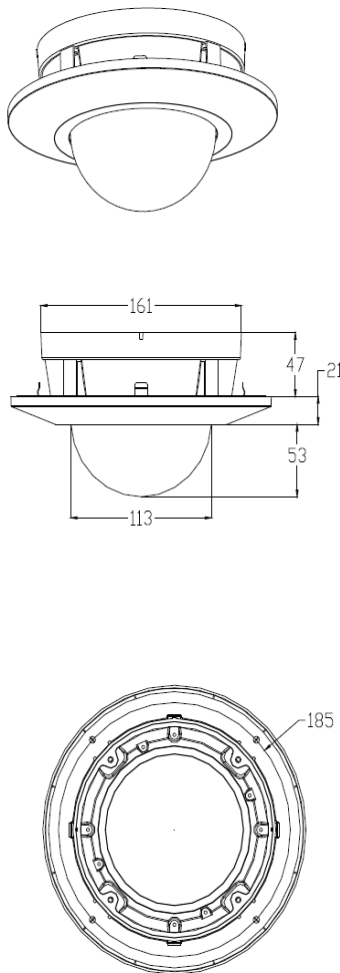
Model	PTZ-A10X
Camera	
Image Sensor	1/4 " Sony Super HAD II CCD
Color System	NTSC
Resolution	650 TVL Color (700 TVL B/W)
S/N	50 dB (AGC Off)
Zoom Ratio	12x Optical zoom, 32x digital zoom
Focal Length	f=3.8(Wide) – 45.6(Tele)mm
View Angle	52.8°(W) ~ 4.49°(T)
Iris	F1.6(Wide)-F2.7(Tele)
Mini Illumination	Color:0.5 lux,B/W:0.2 lux Color DSS:0.001 lux ,B/W DSS:0.0004 lux
Day/Night	Auto/Day/Night
Focus	Auto/Manual/Semi-Auto
Iris Adjustment	Auto/Manual
Shutter Speed	Auto (x128~1/60 sec~1/10,000 sec)
WDR	On/Off
DIS	On/Off
DSS	2x-512x
DNR	On/Off
AGC	Auto / Manual
White Balance	Auto /Outdoor / Indoor/One Push / Manual
BLC/HLC	On/Off
Flickerless	On/Off
Brightness	Adjustable (0-96)
PTZ	
Pan/Tilt Range	Horizontal:360° (Endless) / Vertical: 90°
Speed	Preset : 400° / sec, Manual:0~360° /sec (proportional to zoom ratio)
Preset	127
Auto Scan	8
Pattern	4
Group	8
Other functions	Auto Flip, Park Position, Power Up
Communication	RS-485
Protocol	Pelco-D、Pelco-P
Privacy zone	8 zones could be programmed
Alarm I/O	2CH Input / 1CH Output
General	
Input Voltage	12VDC/24VAC
Max. Power Consumption	Fan On: 10W; Heater On: 21W (Outdoor)
Dimension	Φ165mm*157.5Hmm (w/o Sunshield) Φ199.3mm*183.6Hmm (with Sunshield)
Weight	5.5lb(with sunshield)
Working Temp.	-30°C~ 50°C
Fan/Heater Start	Fan start @25°C,Heater start @5°C
Work. Humidity	0%~90% (Non-condensation)

Optional Brackets & Mounts

Wall Mount



Flush Ceiling Mount



Pendant Mount

