

# IP8331

## Network Bullet Camera

***H.264 • Weather-proof • Day & Night***



VIVOTEK IP8331 is a cost-effective, bullet-style network camera designed for our customers' needs in outdoor applications. With its weather-proof IP66-rated housing, the camera is shielded from harsh conditions such as rain and dust and provides an all-in-one solution without the need for additional accessories.

By integrating components for day/night functionality such as dual-band lens and built-in IR illuminators with an effective range of up to 10 meters, the camera is able to achieve superior performance in a compact design.

The IP8331 also supports tamper detection, which can detect events such as blockage, redirection, and spray-painting, making it an intelligent solution to possible camera obstruction.

Incorporating a number of VIVOTEK's advanced features, including simultaneous dual streams, triple-codec, 802.3af compliant PoE, and our free standard 32-channel recording software, the IP8331 is the ideal solution for your outdoor surveillance needs.

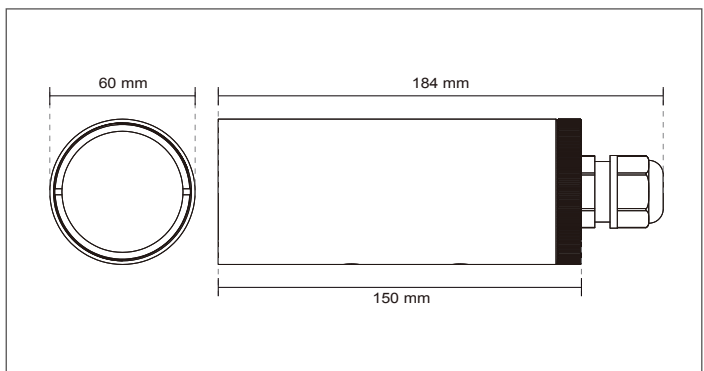
## Features

- > 1/4" CMOS Sensor in VGA Resolution
- > Dual-band Lens for Day and Night Function
- > Built-in IR Illuminators, Effective up to 10 Meters
- > Real-time H.264, MPEG-4 and MJPEG Compression (Triple Codec)
- > Simultaneous Dual Streams
- > Weather-proof IP66-rated Housing
- > Built-in 802.3af Compliant PoE

|                                   |  |
|-----------------------------------|--|
| <b>Models</b>                     | · IP8331 (PoE)   |
| <b>System</b>                     | · CPU: Mozart 325 SoC<br>· Flash: 16MB<br>· RAM: 128MB<br>· Embedded OS: Linux 2.6   |
| <b>Lens</b>                       | · Board lens, dual-band, f = 4.0 mm, F1.8, Fixed<br>· IR corrected   |
| <b>Angle of View</b>              | · 56° (horizontal)<br>· 42° (vertical)<br>· 71° (diagonal)   |
| <b>Shutter Time</b>               | · 1/5 sec. to 1/15,000 sec.  |
| <b>Image Sensor</b>               | · 1/4" CMOS sensor in VGA resolution   |
| <b>Minimum Illumination</b>       | · 0 Lux / F1.8 (IR LED on)   |
| <b>IR Illuminators</b>            | · Built-in IR illuminators, effective up to 10 meters<br>· IR LED*12   |
| <b>Video</b>                      | · Compression: H.264, MJPEG & MPEG-4<br>· Streaming:<br>Simultaneous dual streams<br>H.264 streaming over UDP, TCP, HTTP or HTTPS<br>MPEG-4 streaming over UDP, TCP, HTTP or HTTPS<br>H.264/MPEG-4 multicast streaming<br>MJPEG streaming over HTTP or HTTPS<br>· Supports 3GPP mobile surveillance<br>· Frame rates:<br>H.264:<br>Up to 30/25 fps at 640x480<br>MPEG-4:<br>Up to 30/25 fps at 640x480<br>MJPEG:<br>Up to 30/25 fps at 640x480 |
| <b>Image Settings</b>             | · Adjustable image size, quality and bit rate<br>· Time stamp and text caption overlay<br>· Flip & mirror<br>· Configurable brightness, contrast, saturation, sharpness and white balance<br>· AGC, AWB, AES<br>· Automatic, manual or scheduled day/night mode<br>· Supports privacy masks  |
| <b>Networking</b>                 | · 10/100 Mbps Ethernet, RJ-45<br>· Onvif support<br>· Protocols: IPv4, IPv6, TCP/IP, HTTP, HTTPS, UPnP, RTSP/RTP/RTCP, IGMP, SMTP, FTP, DHCP, NTP, DNS, DDNS, PPPoE, CoS, QoS and 802.1X   |
| <b>Alarm and Event Management</b> | · Triple-window video motion detection<br>· Tamper detection<br>· One D/I for external sensor<br>· Event notification using HTTP, SMTP or FTP<br>· Local recording of MP4 file   |
| <b>Security</b>                   | · Multi-level user access with password protection<br>· IP address filtering<br>· HTTPS encrypted data transmission<br>· 802.1X port-based authentication for network protection   |

|  |   |
|--|---|
| <b>Users</b>                                     | · Live viewing for up to 10 clients   |
| <b>Dimension</b>                                 | · Camera: Ø 60 mm x 150 mm<br>· Cable length: 400 mm<br>· Cable diameter: Ø 12 mm; Max width: Ø 18 mm   |
| <b>Weight</b>                                    | · Net: 630 g  |
| <b>LED Indicator</b>                             | · System restore status indicator   |
| <b>Power</b>                                     | · 12V DC<br>· 24V AC<br>· Power consumption: Max. 4 W<br>· 802.3af compliant Power-over-Ethernet (Class 3)  |
| <b>Housing</b>                                   | · Weather-proof IP66-rated housing  |
| <b>Approvals</b>                                 | · CE, LVD, FCC, VCCI, C-Tick  |
| <b>Operating Environments</b>                    | · Temperature: -20°C ~ 50°C (-4°F ~ 122°F)<br>· Humidity: 90% RH  |
| <b>Viewing System Requirements</b>               | · OS: Microsoft Windows 7/Vista/XP/2000<br>· Browser:<br>Mozilla Firefox, Internet Explorer 6.x or above<br>· Cell phone: 3GPP player<br>· Real Player: 10.5 or above<br>· Quick Time: 6.5 or above |
| <b>Installation, Management, and Maintenance</b> | · Installation Wizard 2<br>· 32-CH ST7501 recording software<br>· Supports firmware upgrade   |
| <b>Applications</b>                              | · SDK available for application development and system integration  |
| <b>Warranty</b>                                  | · 24 months   |

Dimension



All specifications are subject to change without notice. Copyright©2011 VIVOTEK INC. All rights reserved. P/N:

Distributed by:



**VIVOTEK INC.**  
6F, No.192, Lien-Cheng Rd., Chung-Ho, New Taipei City, 235, Taiwan, R.O.C.  
| T: +886-2-82455282 | F: +886-2-82455532 | E: sales@vivotek.com

**VIVOTEK USA, INC.**  
470 Lakeside Drive Suite C, Sunnyvale, CA 94085 USA  
| T: 408-773-8686 | F: 408-773-8298 | E: salesusa@vivotek.com