

V111T 1-Channel Video Server

V111T Video Servers enable analog cameras to be integrated into an IP-based video surveillance system, providing users with the benefits of professional network video technology.

The V111T also comes with versatile functions to meet specific applications such as 2.5G and 3GPP mobile surveillance.



High quality, de-interlaced video

V111T Video Servers convert analog video signals into high quality, de-interlaced, digital video streams that are sent over an IP network.

Simultaneous MPEG-4 and Motion JPEG

MPEG-4 and Motion JPEG streams can be sent simultaneously from each channel at 30fps in all resolution. This allows users to have different viewing and recording settings that are optimized for image quality and efficient bandwidth/storage use.

Video motion detection

V111T Video Servers provide powerful event management functions including pre/post alarm image buffering. Events can be triggered for example by video motion detection and external input devices, and responses can include image upload, alarm notifications and activation of external devices such as lights, doors or alarms.

Support for PTZ and dome cameras

The video servers' serial ports enable pan/tilt/zoom control of PTZ cameras and PTZ dome cameras over the network.

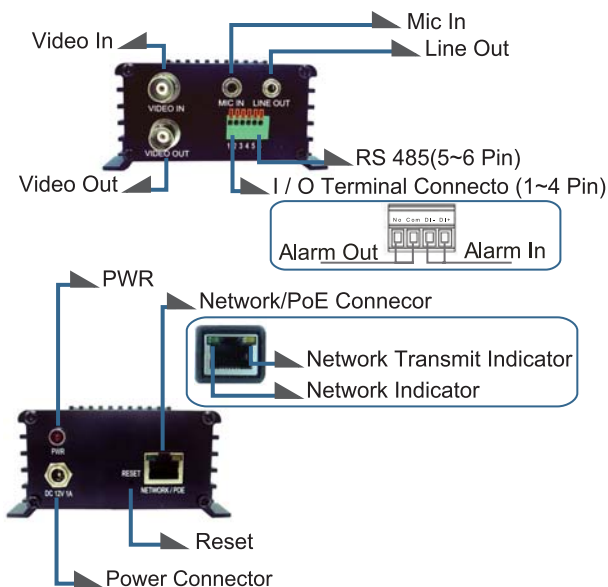
Power over Ethernet

V111T supports Power over Ethernet, allowing power to be delivered via the network, which eliminates the need for power cables and reduces installation costs.

Technical Specifications

Models	V111T	Connectors	RJ-45 for Ethernet 10/100 Base-T (with PoE) DC power jack Terminal blocks for 1 alarm input, 1 output Reset push switch 3.5mm jack for Mic/Line in, 3.5mm jack for line out BNC connector
Video compression	Motion JPEG MPEG-4 Part 2 (ISO/IEC 14496-2), Profile: SP	Casing	Aluminum casing
Resolutions	Motion JPEG, MPEG-4: 3 resolutions from 704x480 to 176x120 via API (NTSC) 3 resolutions from 704x576 to 176x144 via API (PAL) 2 selections via configuration web page	Memory	RAM: 64MB, Flash: 8MB
Frame rate	Up to 30 fps at 704x480 (NTSC) Up to 25 fps at 704x576 (PAL)	Power	12V DC, 1A, Max 5W PoE (Power over Ethernet) Built-in IEEE 802.3af
Video streaming	Simultaneous Motion JPEG and MPEG-4 (Dual streaming) Controllable Frame rate and bandwidth, Support Unicast and Multicast Support 3GPP/ISMA RTSP (Real Time Streaming Protocol)	Operating conditions	-30~50°C (-22~122 °F)
Image settings	brightness, contrast, saturation, hue Overlay capabilities: time, date, text and privacy image	Installation, management and maintenance	ZAVIO Camera Management tool on CD and web-based configuration. Configuration of backup and restore. Firmware upgrades over HTTP, firmware available at www.zavio.com
Video input	1 x Analog composite: NTSC or PAL, BNC connector 75 Ohm	Minimum web browsing requirements	Pentium 4 1.8GHz (or equivalent AMD) 64MB RAM graphic cards (or equivalent on-board graphic cards) 512MB RAM Windows 98, ME, 2000, 2003, XP, Vista Mac OS Leopard 10.5
Video output	1 x Analog composite: NTSC or PAL, BNC connector 75 Ohm	Supported protocols	Bonjour, TCP/IP, DHCP, PPPoE, ARP, ICMP, FTP, SMTP, DNS, NTP, UPnP, RTSP, RTP, HTTP, TCP, UDP, 3GPP/ISMA RTSP
Audio	Two-way (full duplex) External microphone input or line input Audio compression: G.711 PCM, 8 kHz, 64 kbit/s	Included accessories	Quick Installation Guide, CD (IP Surveillance Software, Intelligent IP Installer, User Manuals and Language Pack) mounting and connector kits, power supply 12V DC
Security	Multiple user access levels with password protection, HTTPS encryption	Video management software	Quick Installation Guide, CD (IP Surveillance Software, Intelligent IP Installer, User Manuals and Language Pack) mounting and connector kits, power supply 12V DC
Users	5 simultaneous users Unlimited number of users using multicast	Approvals	CE, FCC, RoHS
Alarm Input/Output	Alarm input 5V/12V DC Alarm output Max 30W	Dimensions (HxWxD) and weight	110 x 100 x 45mm (4.3" x 1.4" x 1.8") 325.4g (13oz) excl. power supply
Alarm and event management	Events triggered by video motion detection external input or according to a schedule Image upload over FTP, email and HTTP Notification over TCP, email, HTTP and external output pre- and post alarm buffer		

Physical Description



Basic Connection

