

# Coaxial Cabling : Video Distributor & Video Amplifier Series

**ITEM NO.:** VDS-1008, VDS-4008, AMP-1001, AMP-4004

VDS-1008, VDS-4008 are video distributors with one or multi video input to multi output.  
AMP-1001, AMP-4004 are amplifiers for long- range video transmission up to 1000 meters over RG59 coaxial cable. They are suitable for far distance, different floor in a building or different electrical field.

## Features:

### Video Distributor

**VDS-1008 1 Input to 8 Output, VDS-4008 4 Input to 8 Output**

- Red LED: power on/off.
- It can be connected video camera, multiplexer, VCR, DVR...etc.
- Power supply included.

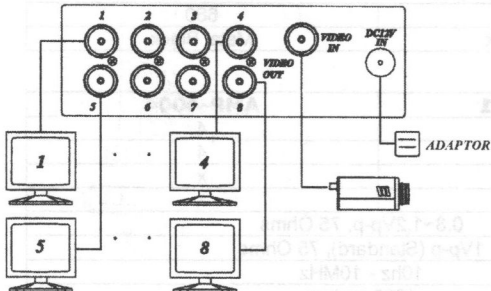
### Video Amplifier

**AMP-1001 1 Input to 1 Output, AMP-4004 4 Input to 4 Output**

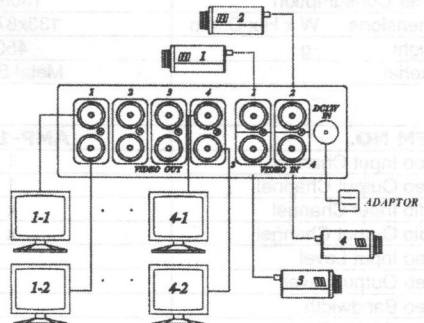
- Wide bandwidth, video gain compensation amplification.
- HF compensation.
- 10dB adjustable image gain.
- Sharpness and Brightness adjustment.
- Transmission range: 1000 meters (RG59 coaxial cable)
- Red LED: power on/off.
- It can be connected video camera, multiplexer, VCR, DVR...etc.
- Power supply included.

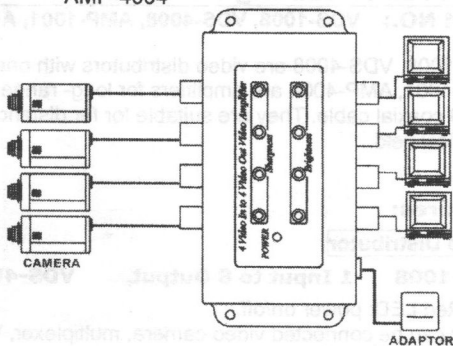
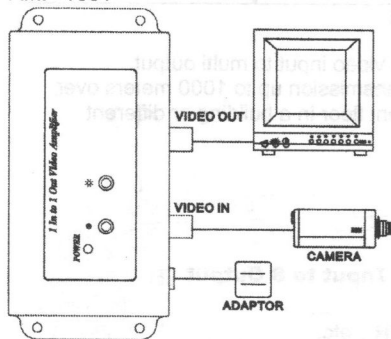
## Installation View:

VDS-1008



VDS-4008





## Troubleshooting:

All transmission distances mentioned above are without connecting image processor (e.g. Quad, Multiplexer, DVR), the transmission range would be reduced 100-200 meters upon different camera, cable, DVR...ect.

1. When finish the installation, but no video signal, please check Power LED and power source.
2. Video signal is not normal; please check "+" and "-" of cable.

## Specifications:

ITEM NO.	VDS-1008	VDS-4008
Video Input Channel	1	4
Video Output Channel	8	8
Video Input Level	0.8~1.2Vp-p, 75 Ohms	
Video Output Level	1Vp-p (Standard), 75 Ohms	
Video Bandwidth	10hz - 10MHz	
Power Supply	DC12V / 500mA	DC12V / 500mA
Power Consumption	150mA	150mA
Dimensions W x H x D mm	133x87x44	133x145x44
Weight g	450	680
Material	Metal Black	Metal Black

ITEM NO.	AMP-1001	AMP-4004
Video Input Channel	1	4
Video Output Channel	1	4
Audio Input Channel	x	x
Audio Output Channel	x	x
Video Input Level	0.8~1.2Vp-p, 75 Ohms	
Video Output Level	1Vp-p (Standard), 75 Ohms	
Video Bandwidth	10hz - 10MHz	
Transmission Range	1000 meters	
Power Supply	DC12V / 500mA	DC12V / 500mA
Power Consumption	100mA	220mA
Dimensions W x H x D mm	138x76x32	138x89x31.5
Weight g	100	145
Material	ABS Black	