
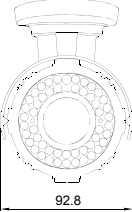
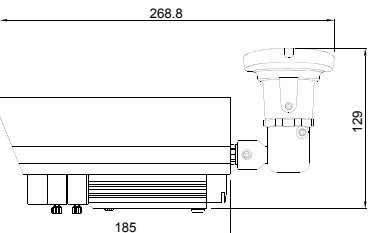


BIPRO-EC550VF


Picture & Outline







Dimensions (mm)



General Features

- 1/3" Sony Super HAD CCD, High Resolution of 550TV Lines in Color and 600TV Lines in B/W
- IR Cut Filter Removable (ICR) for 24hours Complete Monitoring
- External Zoom and Focus Adjustment, 2nd Video Out
- Built-in 2.8 ~ 11mm Auto Iris IR Vari-focal Lens (F1.2)
- DWS (Dual Windows Structure) Layout for Scattered Reflection
- Convenient OSD control Function
- Maximum Sens-up (x258), 0.00001Lux of Minimum Illumination
- Built-in 3D DNR with 3D Filter & D-WDR(Digital Wide Dynamic Range Function)
- X32 Digital Zoom, Free Area Selectable Function of BLC and MD, Privacy Color Masking for 8 Area Selection
- Built-in 50 High Quality IR LEDs
(Invisible 940nm Infrared IR LEDs --> Option without additional cost)
- Built-in Cooling Fan & Weather-proof Housing (IP65)
- Vandal-proof Case with Poly Carbonate & Hard Coating Front Glass
- Illumination Distance : Max 40m (132ft) outdoor

Specification

Model	BIPRO-EC550VF
Image Device	1/3" Sony Super HAD CCD
Scanning System	2:1 Interlace
Sync System	Internal
Number of Pixels	NTSC: 811(H) X 508(V), PAL: 795(H) X 596(V)
Horizontal Resolution	550TV Lines
Video Output	1.0 Vp-p Composite 75Ω
S/N Ratio / Gamma	48dB (AGC Off) / r=0.45
Motion Detection / Privacy	ON (4 Zone Selectable), OFF / ON (8 Zone), OFF
White Balance	ATW, AWB, INDOOR, OUTDOOR, Manual (R Gain & B Gain Range: 0 ~ 100), AWC
B.L.C / 3 DNR / D-WDR	BLC, HSBLC, OFF / ON, OFF / Indoor, Outdoor, OFF
Sensitivity / Min. Illumination	0.4Lux at day, 0.03Lux at night / 0.00001Lux F1.2 (Sens-up x2 ~ x258)
Lens Mount	2.8~11mm Auto Iris IR Vari-focal Lens (F1.2)
Number of Infrared LED	50ea Infrared LEDs
Wave Length	850nm
Angle of Infrared LED	20° and 45° Combinations
Water proof	IP65
Power Supply	DC 12V 900mA (Max)
Operating Temperature	-10°C ~ 45°C (with Heater Option Kit : -40°~50°)
Weight	Approx 1.2Kg
Options	Built-in Heater Kit with Temperature Sensor, 940nm LEDs, AC24V, Remote Control

Technology

DWS (Dual Windows Structure)



Normal system cannot prevent LED light reflection from the glass and foreign substance on front glass.so, after rainy days or snowy days, the picture could be hazier because of scattered LED light on the foreign Substance



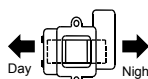
DWS System can make very clear picture in the night because it intercepts leaking LED light from a foreign substance on the front glass and the space of the front glass perfectly though the glass foreign substance

OSD Operation System



- IR LED – Brightness adjusting function
- PUSH button** : To access the main setup menu
 - U button** : Manu item UP
 - selection** : Manu item DOWN
 - D button** : To change data to
 - selection** : To change data to up
 - L button** : To change data to
 - R button** : To change data to up

ICR (IR Cut Filter, Removable)



Built-in IR Cut Filter will shift automatically according to different light levels.