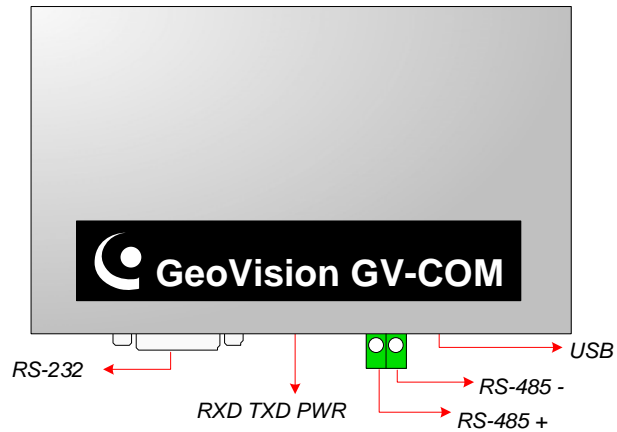


# GV-COM

GV-COM adds 1 RS-232/RS-485 serial ports through your computer's USB port. The plug and play USB solution for serial port extension is perfect for mobile instrumentation and POS applications.

## Packing List

- ❶ GV-COM Box x 1
- ❷ A to B USB Cable (1.2 meters) x 1
- ❸ DB9 RS-232 Cable (1.8 meters) x 1
- ❹ Terminal Resistor x 1
- ❺ Installation CD x 1
- ❻ Installation Guide x 1



## Specifications

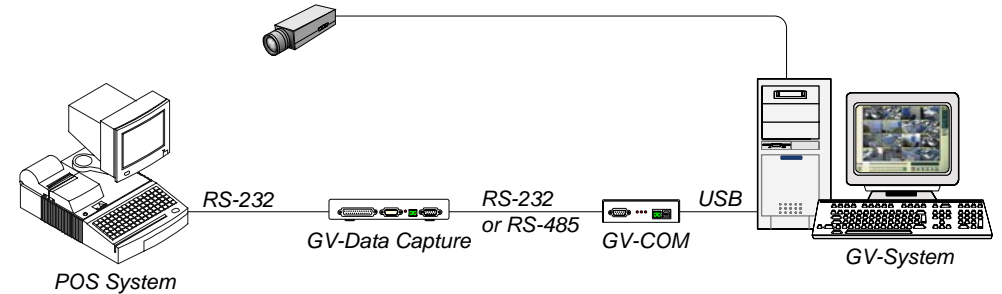
Serial Interface	RS-232	Signal: DCD, RxD, TxD, DTR, GND, DSR, RTS, CTS Connector: DB9 Male
	RS-485	Signal: D+, D- Connector: Terminal Block
	Serial Line Protection	16 KV ESD for All Signals
USB	Compliance	USB 1.1, 1.0 USB 2.0 Backward Compatible
	Speed	Full speed 12 Mbps
Communication Parameters	Parity	None, Even, Odd
	Data Bit	7, 8
	Stop Bit	1 (default), 2
	Flow Control	RTS/CTS, XON/XOFF
	Speed	600 bps to 115,200 bps
Environmental Conditions	Operation Temperature	0~55 Degree C
	Humidity	5%~95% (Non-Condensing)
Dimensions	103 (W) x 32 (H) x 64 (D) mm	

## Connecting Output Devices

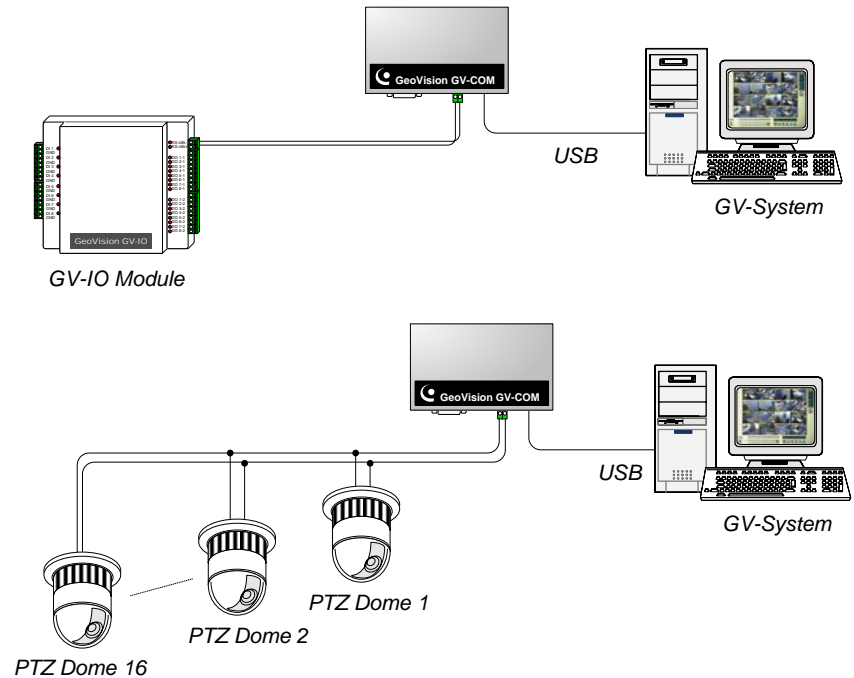
The following diagrams illustrate how to connect the GV-COM to the POS system and RS-485 devices.

**Note:** For connection, you can only choose RS-232 or RS485.

### 1. POS system:



### 2. RS-485 devices:

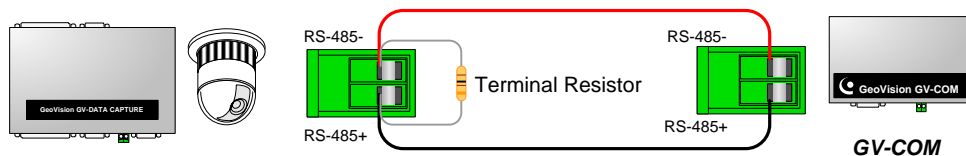


## Long-Distance Connection

When the two conditions below are met, the supplied Terminal Resistor needs to be used:

1. **Connection distance is greater than 600 meters**
2. **High-speed baud rate is applied, ex. 115200.**

The diagram below illustrates how to use Terminal Resistor on Terminal Block attached to the RS-485 device:



## Installing GV-COM Drivers

When you connect GV-COM to the computer, the Found New Hardware Wizard will automatically detect the device. Ignore the wizard, and follow these steps to install the drivers.

1. Insert the installation CD to your computer.
2. Run **GvUsb.exe**.
3. When this warning window appears, click **Continue Anyway**. The drivers will be installed automatically.



To verify the drivers are installed correctly, go to Device Manager. Expanding the Ports field, you should see one entry for **Prolific USB-to Serial Bridge**.

