

GV-BX220D-0 / 220D-1 / 220D-2 / 220D-3 2M H.264 D/N Box IP Camera



- 2 megapixel progressive scan CMOS
- Dual video streams from two of H.264, MJPEG and MPEG4
- Up to 30 fps at 1920 x 1080
- Built-in / external microphone
- 2-way audio
- One sensor input and alarm output
- TV-out support
- Motion detection
- Tampering alarm
- Privacy mask
- IP address filtering
- 3GPP / ISMA
- DC 12V / PoE
- Day / Night function
- Varifocal megapixel lens
- 16 languages on Web interface

Models

Models	Auto Iris	Focal Length (mm)	Maximum Aperture	Image Format
GV-BX220D-0		2.8~8.5	F/1.4	
GV-BX220D-1		3.1~8	F/1.2	
GV-BX220D-2	DC Drive	2.8~6	F/1.3	1/3"
GV-BX220D-3		2.8~12	F/1.4	

Active Tampering Alarm

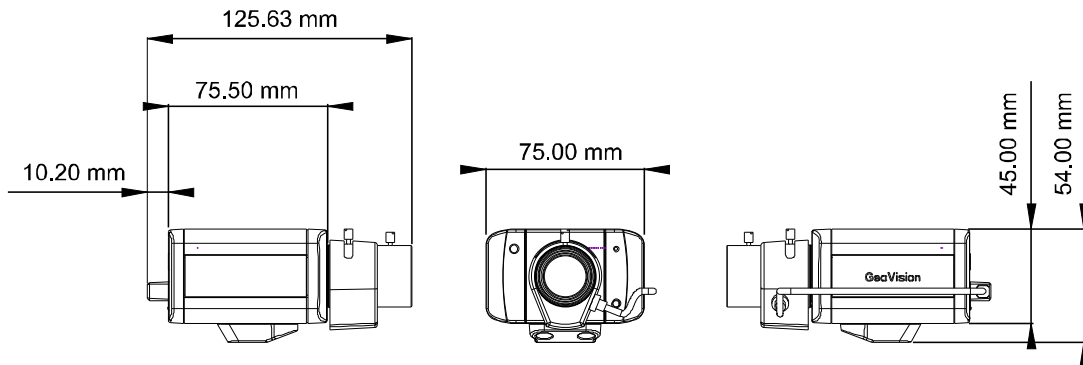
Tampered



Focus Change



Camera Shift



SPECIFICATIONS

		GV-BX220D-0	GV-BX220D-1	GV-BX220D-2	GV-BX220D-3
Camera					
Image Sensor		1/2.5" progressive scan CMOS			
Picture Elements		1920 (H) x 1080 (V)			
Minimum Illumination	Color	1 Lux (1/30 sec), 0.5 Lux (1/5 sec)			
	B/W	0.2 Lux (1/30 sec), 0.1 Lux (1/5 sec)			
	IR ON	0 Lux			
Shutter Speed		Automatic, Manual (1/5 ~ 1/8000 sec)			
White Balance		Automatic, Manual (2800K ~ 8500K)			

Lens				
Megapixel	Yes			
IR Support	Yes			
Iris	DC Drive			
Focal Length	2.8 ~ 8.5 mm	3.1 ~ 8 mm	2.8 ~ 6 mm	2.8 ~ 12 mm
Max Aperture	F / 1.4	F / 1.2	F / 1.3	F / 1.4
Mount	CS Mount			
Image Format	1/3"			
Angle of view	Diagonal	94.45° ~ 32.47°		
	Horizontal	82.32° ~ 28.30°		
	Vertical	46.31° ~ 15.92°		
Operation	Focus	Manual (w / lock)		
	Zoom	Manual (w / lock)		
	Iris	DC		
Operation				
Video Codec	H.264, MPEG4, MJPEG			
Video Streaming	Dual Streams from two of H.264, MPEG4 and MJPEG			
Frame Rate	30 fps at 1920 x 1080 * The frame rate and the performance may vary depending on the number of connections and data bitrates (different scenes)			
Image Setting	Brightness, Contrast, Sharpness, Gamma, White Balance, Flicker-less, Image Orientation, Shutter Speed, D/N Sensitivity			
Audio Codec	G.711, AAC (16 kHz / 16 bit) * AAC is only supported by GV-System V8.5 or later.			
Input	1 Input (Dry Contact)			
Output	1 Digital Output			
Video Resolution				
Main Stream	4:3	1600 x 1200, 1280 x 960, 640 x 480, 320 x 240		
	16:9	1920 x 1080, 1280 x 720, 640 x 360, 448 x 252		
	5:4	1280 x 1024, 640 x 512, 320 x 256		
Sub Stream	4:3	640 x 480, 320 x 240		
	16:9	640 x 360, 448 x 252		
	5:4	640 x 512, 320 x 256		
Network				
Interface	10/100 Ethernet			
Ethernet Protocol	HTTP, HTTPS, TCP, UDP, SMTP, FTP, DHCP, NTP, UPnP, DynDNS, 3GPP/ISMA, RTSP, PSIA, SNMP, QoS (DSCP)			
Mechanical				
Lens Mounting	C / CS-Mount			
Connectors	Power	DC Jack		
	Ethernet	RJ-45		
	Audio	1 In (Using the built-in microphone or externally connecting a microphone) 1 Out (Stereo phone jack, 3.5 mm / 0.14 in)		
	Digital I/O	3-pin terminal block, pitch 2.5 mm / 0.1 in		
	Auto Iris	DC drive		
	Local Storage	Mini or micro SD/SDHC memory card slot		
	TV-Out	BNC connector		
LED Indicator	2 LEDs: Power, Status			
General				
Operating Temperature	0 °C ~ 50 °C / 32 °F ~ 122 °F			
Humidity	10% to 90% (no condensation)			
Power Source	12V DC / PoE			
Power Consumption	5 W (max. 416 mA at 12V DC)			
Regulatory	CE, FCC, C-Tick, RoHS compliant			
Dimensions (L X W X H)	76 x 74.9 x 54.3 mm / 2.99 x 2.95 x 2.14 in (without lens)			
Weight	321 g / 0.71 lb			
Power over Ethernet				
PoE Standard	IEEE 802.3af Power over Ethernet / PSE			
PoE Power Supply Type	End-Span			
PoE Power Output	Per Port 48V DC, 350mA. Max. 15.4 watts			

Web Interface	
Installation Management	Web-based configuration
Maintenance	Firmware upgrade through Web Browser
Access from Web Browser	Camera live view, video recording, change video quality, bandwidth control, image snapshot, digital I/O control, audio, Picture in Picture, Picture and Picture, Privacy Mask, Visual Automation, Tampering Alarm, Wide Angle Lens Dewarping
Language	Czech / Danish / English / French / German / Hebrew / Hungarian / Italian / Japanese / Polish / Portuguese / Russian / Serbian / Simplified Chinese / Spanish / Traditional Chinese
Applications	
Network Storage	GV-NVR, GV-System
3G Mobile Phone	Built-in player for 3GPP / ISMA
Live Viewing	IE , GV-MultiView
CMS Server support	GV-Control Center, GV-Center V2, GV-VSM, GV-Backup Center, GV-Video Gateway, GV-Recording Server

Note: Specifications are subject to change without notice.