

GV-BX320D-0 / 320D-1 3M H.264 D/N Box IP Camera



- 3 megapixel progressive scan CMOS
- Dual video streams from two of H.264, MJPEG and MPEG4
- Up to 20 fps at 2048 x 1536, 30fps at 1920 x 1080
- Built-in / external microphone
- 2-way audio
- One sensor input and alarm output
- TV-out support
- Motion detection
- Tampering alarm
- Privacy mask
- IP address filtering
- 3GPP / ISMA
- DC 12V / PoE
- Day / Night function
- Varifocal megapixel lens
- 16 languages on Web interface

Models

Models	Auto Iris	Focal Length (mm)	Maximum Aperture	Image Format
GV-BX320D-0		3.1 ~ 8	F/1.2	
GV-BX320D-1	DC Drive	2.8 ~ 6	F/1.3	1/3"

Active Tampering Alarm

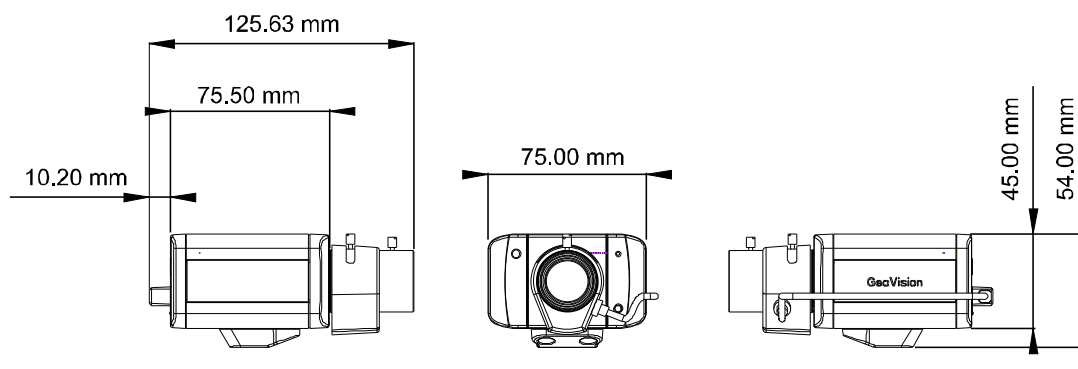
Tampered



Focus Change



Camera Shift



SPECIFICATIONS

		GV-BX320D-0	GV-BX230D-1
Camera			
Image Sensor		1/2.5" progressive scan CMOS	
Picture Elements		2048 (H) x 1536 (V)	
Minimum Illumination	Color	1 Lux (1/30 sec), 0.5 Lux (1/5 sec)	
	B/W	0.2 Lux (1/30 sec), 0.1 Lux (1/5 sec)	
	IR ON	0 Lux	
Shutter Speed		Automatic, Manual (1/5 ~ 1/8000 sec)	
White Balance		Automatic, Manual (2800K ~ 8500K)	
Lens			
Megapixel		Yes	
IR Support		Yes	
Iris		DC Drive	

Focal Length	3.1 ~ 8 mm	2.8 ~ 6 mm
Max Aperture	F / 1.2	F/1.3
Mount	CS Mount	
Image Format	1/3"	
Angle of view	Diagonal	108.70° ~ 41.21°
	Horizontal	86.96° ~ 32.97°
	Vertical	65.22° ~ 24.73°
Operation	Focus	Manual (w / lock)
	Zoom	Manual (w / lock)
	Iris	DC

Operation

Video Codec	H.264, MPEG4, MJPEG
Video Streaming	Dual Streams from two of H.264, MPEG4 and MJPEG
Frame Rate	20 fps at 2048 x 1536, 30 fps at 1920 x 1080 * The frame rate and the performance may vary depending on the number of connections and data bitrates (different scenes).
Image Setting	Brightness, Contrast, Sharpness, Gamma, White Balance, Flicker-less, Image Orientation, Shutter Speed, D/N Sensitivity
Audio Codec	G.711, AAC (16 kHz / 16 bit) * AAC is only supported by GV-System V8.5 or later.
Input	1 Input (Dry Contact)
Output	1 Digital Output

Video Resolution

Main Stream	4:3	2048 x 1536, 1600 x 1200, 1280 x 960, 640 x 480, 320 x 240
	16:9	1920 x 1080, 1280 x 720, 640 x 360, 448 x 252
	5:4	1280 x 1024, 640 x 512, 320 x 256
Sub Stream	4:3	640 x 480, 320 x 240
	16:9	640 x 360, 448 x 252
	5:4	640 x 512, 320 x 256

Network

Interface	10/100 Ethernet
Ethernet Protocol	HTTP, HTTPS, TCP, UDP, SMTP, FTP, DHCP, NTP, UPnP, DynDNS, 3GPP/ISMA, RTSP, PSIA, SNMP, QoS (DSCP)

Mechanical

Lens Mounting	C / CS-Mount	
Connectors	Power	DC Jack
	Ethernet	RJ-45
	Audio	1 In (Using the built-in microphone or externally connecting a microphone) 1 Out (Stereo phone jack, 3.5 mm / 0.14 in)
	Digital I/O	3-pin terminal block, pitch 2.5 mm / 0.1 in
	Auto Iris	DC drive
	Local Storage	Mini or micro SD/SDHC memory card slot
	TV-Out	BNC connector
LED Indicator	2 LEDs: Power, Status	

General

Operating Temperature	0 °C ~ 50 °C / 32 °F ~ 122 °F
Humidity	10% to 90% (no condensation)
Power Source	12V DC / PoE
Power Consumption	5 W (max. 416 mA at 12V DC)
Regulatory	CE, FCC, C-Tick, RoHS compliant
Dimensions (L X W X H)	76 x 74.9 x 54.3 mm / 2.99 x 2.95 x 2.14 in (without lens)
Weight	321 g / 0.71 lb

Power over Ethernet

PoE Standard	IEEE 802.3af Power over Ethernet / PSE
PoE Power Supply Type	End-Span
PoE Power Output	Per Port 48V DC, 350mA. Max. 15.4 watts

Web Interface

Installation Management	Web-based configuration
Maintenance	Firmware upgrade through Web Browser
Access from Web Browser	Camera live view, video recording, change video quality, bandwidth control, image snapshot, digital I/O control, audio, Picture in Picture, Picture and Picture, Privacy Mask, Visual Automation, Tampering Alarm, Wide Angle Lens Dewarping

Language	Czech / Danish / English / French / German / Hebrew / Hungarian / Italian / Japanese / Polish / Portuguese / Russian / Serbian / Simplified Chinese / Spanish / Traditional Chinese
Applications	
Network Storage	GV-NVR, GV-System
3G Mobile Phone	Built-in player for 3GPP / ISMA
Live Viewing	IE , GV-MultiView
CMS Server support	GV-Control Center, GV-Center V2, GV-VSM, GV-Backup Center, GV-Video Gateway, GV-Recording Server

Note: Specifications are subject to change without notice.