

# GV-IO 12-In Card V3

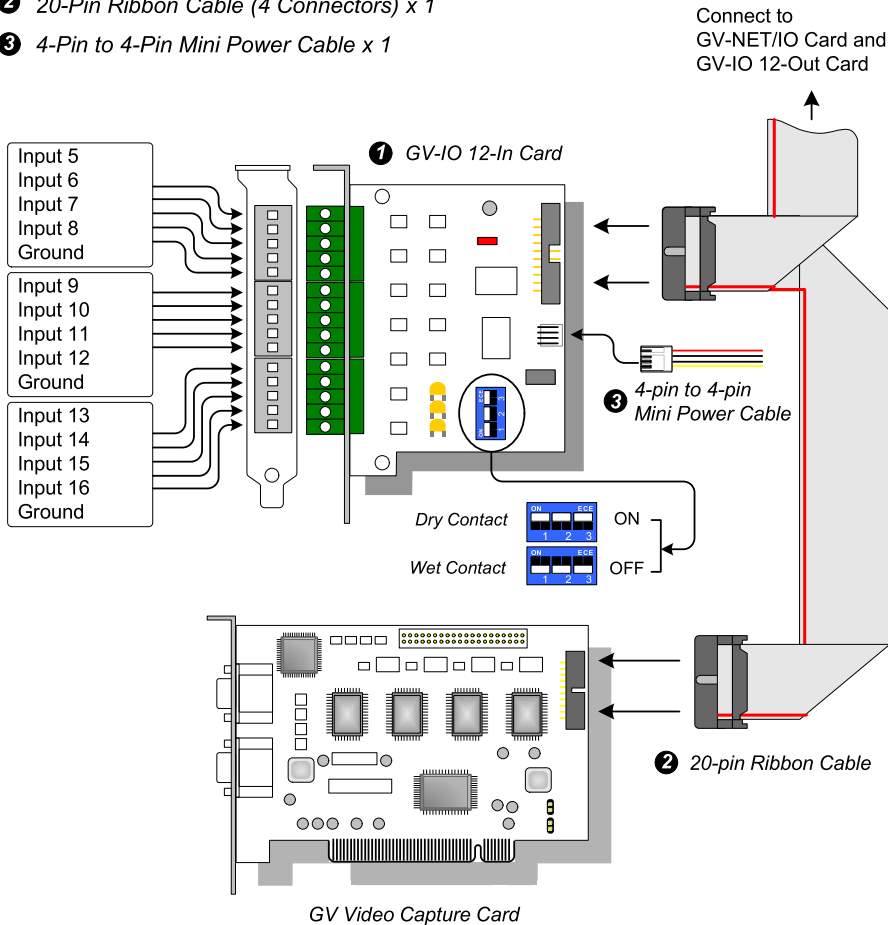
With 12 digital inputs, the GV-IO 12-In Card is designed to work with the GV-NET/IO Card to provide an interface for your external devices such as sensors and detectors.

## Installation

Insert the GV-IO 12-In Card to an empty card slot. Connect the 20-Pin Ribbon Cable to the GV Video Capture Card, the GV-IO 12-Out Card, and the GV-NET/IO Card as shown below.

## Packing List

- ❶ GV-IO 12-In Card x 1
- ❷ 20-Pin Ribbon Cable (4 Connectors) x 1
- ❸ 4-Pin to 4-Pin Mini Power Cable x 1
- ❹ Installation Guide x 1



## Specifications

Input	Input	12
	Input Signal	Dry Contact Wet Contact: 9~30V AC/DC
DC IN		DC 5V, 1A
Environmental Conditions		0~50 Degree C / 32~122 Degree F 5%~95% (Non-Condensing)
Compatible Card Models		All GV Video Capture Cards
Dimensions (W x H)		90 x 99 mm / 3.54 x 3.9 in

### Note:

1. Use of DIP Switch:
  - a. Use the switch for dry contact and 9-30V wet contact.
  - b. The card allows the use of mixing dry and wet contact devices together. (Default Setting: Dry Contact)
  - c. The 12 inputs divided as four-in-one groups are related to the three switches on the card for dry and wet contact.
2. To prevent the noise interference in I/O operation, tightly screw the GV-IO 12-In Card to the PC case.
3. The GV-IO 12-In Card must work with the GV-NET/IO Card together.