

GV-BX5300 5MP H.264 WDR D/N Box IP Camera



- 5 megapixel progressive scan CMOS
- Stream 1 from H.264 and MJPEG;
Stream 2 from H.264, MPEG4 and MJPEG
- Up to 10 fps at 2560 x 1920
- Built-in / external microphone
- 2-way audio
- One sensor input and alarm output
- TV-out support
- Memory Card Slot
- Mini USB slot for WiFi Adapter (Optional)
- Wide Dynamic Range (WDR)
- Defog
- Motion detection
- Tampering alarm
- Privacy mask
- IP address filtering
- DC 12V / PoE
- Removable IR-cut filter for Day/Night function
- Varifocal megapixel lens
- Supports iPhone, iPad, Android & 3GPP
- 31 languages on Web interface
- ONVIF conformant

* No Memory card slot & local storage function for Argentina.

Active Tampering Alarm

Tampered



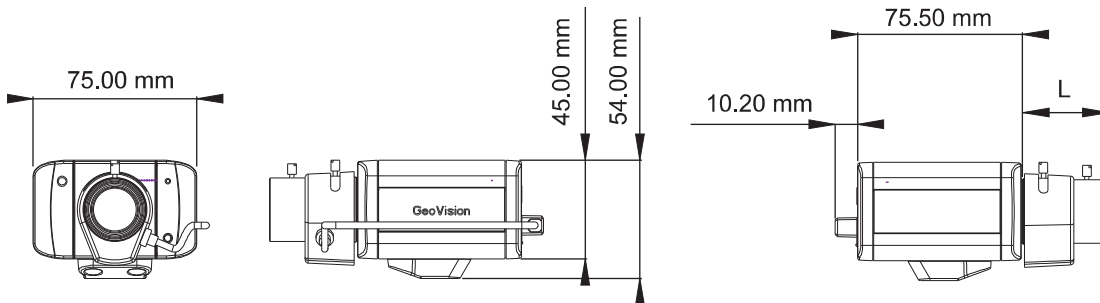
Focus Change



Camera Shift



Dimensions



Specifications

| Camera | | |
|----------------------------|---------------|--|
| Image Sensor | | 1/2.5" progressive scan CMOS |
| Picture Elements | | 2560 (H) x 1920 (V) |
| Minimum Illumination | Color | 0.15 Lux |
| | B/W | 0.10 Lux |
| | IR ON | 0 Lux |
| Shutter Speed | | Automatic, Manual (1/5 ~ 1/8000 sec) |
| White Balance | | Automatic, Manual (2800 ~ 8500K) |
| Gain Control | | Automatic |
| S/N Ratio | | 45 dB |
| BLC | | Yes |
| Lens | | |
| Megapixel | | Yes |
| Day/Night | | Yes (with removable IR-cut filter) |
| Lens Type | | Varifocal |
| Focal Length | | 4.5 ~ 10 mm |
| Maximum Aperture | | F/1.6 |
| Mount | | CS Mount |
| Image Format | | 1/2" |
| Operation | Focus | Manual (w/lock) |
| | Zoom | Manual (w/lock) |
| | Iris | Manual (w/lock) |
| Torque (Focus/Zoom screws) | | 0.049 N.m |
| Operation | | |
| Video Compression | | H.264, MPEG4 and MJPEG |
| Video Streaming | | Stream 1 from H.264 or MJPEG; Stream 2 from H.264, MPEG4 or MJPEG |
| Frame Rate | | 30 fps at 1280 x 1024 * The frame rate and performance may vary depending on the number of connections and data bitrates (different scenes). |
| Image Setting | | Brightness, Contrast, Saturation, Sharpness, Gamma, White Balance, Flicker-less, Image Orientation, Shutter Speed, D/N Sensitivity, Backlight Compensation, WDR, Defog |
| Audio Compression | | G.711, AAC (24 kHz / 16 bit) *AAC (24 kHz / 16 bit) is only supported by GV-System V8.5.6 or later. |
| Two-way Audio | | Yes |
| Sensor Input | | 1 input (Dry Contact) |
| Alarm Output | | 1 Digital Output (200mA 5V DC) |
| Video Resolution | | |
| Main Stream | 4:3 | 2560 x 1920, 2048 x 1536, 1600 x 1200, 1280 x 960, 640 x 480, 320 x 240 |
| | 16:9 | 1920 x 1080, 1280 x 720, 640 x 360, 448 x 252 |
| | 5:4 | 1280 x 1024, 640 x 512, 320 x 256 |
| Sub Stream | 4:3 | 640 x 480, 320 x 240 |
| | 16:9 | 640 x 360, 448 x 252 |
| | 5:4 | 640 x 512, 320 x 256 |
| Network | | |
| Interface | | 10/100 Ethernet |
| Protocol | | HTTP, HTTPS, TCP, UDP, SMTP, FTP, DHCP, NTP, UPnP, DynDNS, 3GPP/ISMA, RTSP, PSIA, SNMP, QoS (DSCP) |
| Wireless LAN | | IEEE 802.11 b/g/n |
| Antenna Type | | External |
| Security | | WEP, WPA-PSK(TKIP), WPA-PSK(AES), WPA2-PSK(TKIP), WPA2-PSK(AES) |
| Mechanical | | |
| Temperature Detector | | Yes |
| Connectors | Power | 2-pin terminal block, PoE |
| | Ethernet | RJ-45 |
| | Audio | 1 In (Using the built-in microphone or externally connecting a microphone) 1 Out (Stereo phone jack, 3.5 mm / 0.14 in) |
| Connectors | Digital I/O | 3-pin terminal block, pitch 2.5 mm / 0.1 in |
| | Auto Iris | Yes |
| | Local Storage | Micro SD / SDHC / SDXC memory card slot (for Class 6 card or above) |
| | TV-Out | BNC connector (640 x 480 resolution) |
| Connectors | Mini USB | Yes (for GV-WiFi Adapter) |

| | |
|----------------------------|--|
| LED Indicator | 2 LEDs: Power, Status |
| General | |
| Operating Temperature | 0 °C ~ 50 °C / 32 °F ~ 122 °F |
| Humidity | 10% to 90% (no condensation) |
| Power Source | 12V DC / PoE |
| Max. Power Consumption | 9.5W |
| Dimensions (L X W X H) | 75.5 x 75 x 54 mm / 2.97 x 2.95 x 2.13 in (without lens) |
| Weight | 300 g / 0.66 lb |
| Regulatory | CE, FCC, C-Tick, RoHS compliant |
| Power over Ethernet | |
| PoE Standard | IEEE 802.3af Class 3 Power over Ethernet / PD |
| PoE Power Supply Type | End-Span |
| PoE Power Output | Per Port 48V DC, 350mA. Max. 15.4 watts |
| Web Interface | |
| Installation Management | Web-based configuration |
| Maintenance | Firmware upgrade through Web Browser or Utility |
| Access from Web Browser | Camera live view, video recording, change video quality, bandwidth control, image snapshot, digital I/O control, audio, Picture in Picture, Picture and Picture, Privacy Mask, Visual Automation, Tampering Alarm, Text Overlay |
| Language | Arabic / Bulgarian / Czech / Danish / Dutch / English / Finnish / French / German / Greek / Hebrew / Hungarian / Indonesian / Italian / Japanese / Lithuanian / Norwegian / Persian / Polish / Portuguese / Romanian / Russian / Serbian / Simplified Chinese / Slovakian / Slovenian / Spanish / Swedish / Thai / Traditional Chinese / Turkish |
| Applications | |
| Network Storage | GV-NVR, GV-System, GV-Backup Center, GV-Recording Server |
| Smart Device Access | GV-Eye for Android smartphone, tablet, iPhone, and iPod Touch GV-Eye HD for iPad |
| Live Viewing | IE, mobile phone |
| CMS Server support | GV-Control Center, GV-Center V2, GV-VSM |

Note:

1. The signal range and data throughput may vary depending on the network conditions and environmental factors.
2. Specifications are subject to change without notice.

Accessories

| Name | Details |
|----------------------|---|
| GV-IR LED T2 |  <p>Weight: 140 g / 0.31 lbs Dimensions (H x W x D): 49 x 47 x 67 mm / 1.93 x 1.85 x 2.64 in</p> |
| GV-PA191 PoE Adapter |  <p>Weight: 130 g / 0.29 lb Dimensions (H x W x D): 43 x 69 x 40 mm / 1.69 x 2.72 x 1.57 in</p> |
| GV-Relay V2 |  <p>The GV-Relay V2 is designed to expand the voltage load of GV IP devices. It provides 4 relay outputs, and each can be set as normally open (NO) or normally closed (NC) independently as per your requirement.</p> |
| Power Adapter | Power adapters are available in 4 regions: U.S.A., Australia, U.K and Europe. |

| Name | Details |
|-----------------|---|
| GV-WiFi Adaptor | Weight: 20 g / 0.04 lb Dimensions (H x W x D): 15 x 15 x 155 (mm) / 0.59 x 0.59 x 6.10 (in) Supplied with mini USB to standard USB adapter. |

