

## GV-EBD2702 2MP H.265 Low Lux WDR IR Eyeball IP Dome

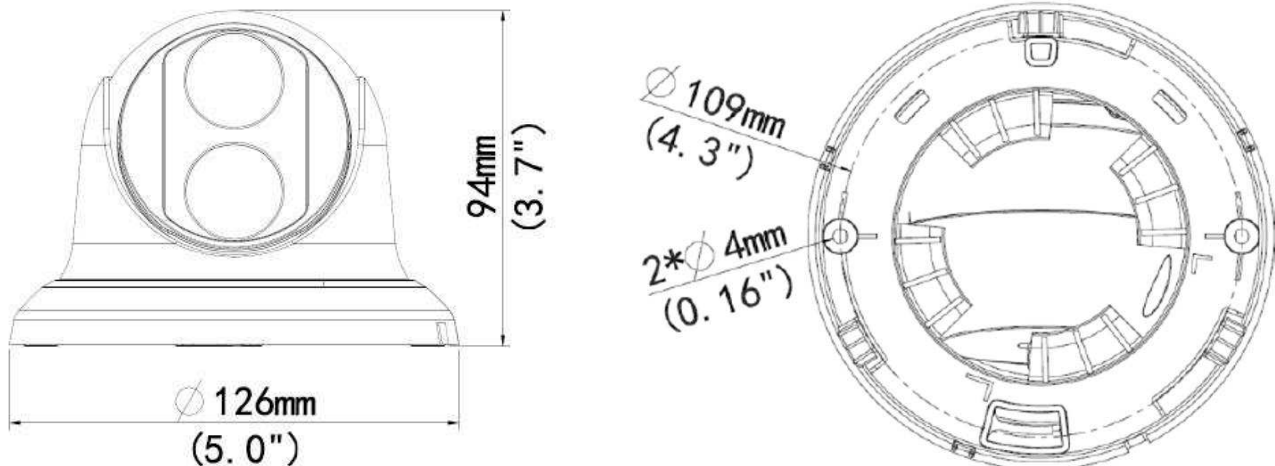


- 1/2.7" progressive scan low lux CMOS sensor
- Min. illumination at 0.02 lux
- Triple streams from H.265, H.264 or MJPEG
- Up to 30 fps at 1920 x 1080
- Day and night function (with removable IR-cut filter)
- Intelligent IR
- IR distance up to 30 m (98.4 ft)
- Wide Dynamic Range (WDR)
- Ingress protection (IP67)
- DC 12V / PoE (IEEE 802.3af)
- Defog
- 3D noise reduction
- Motion detection
- Text overlay
- Privacy mask
- ONVIF (Profile S) conformant

### Introduction

The H.265 Target Eyeball Dome is a compact outdoor network camera equipped with an automatic IR-cut filter and an IR LED for day and night surveillance. The camera adheres to IP67 standards and can withstand a wide temperature range. The camera supports H.265 video codec to achieve better compression ratio while maintaining high quality image at reduced network bandwidths. With Wide Dynamic Range, it can process scenes with contrasting intensity of lights and produce clear image.

### Dimensions



## Specifications

| Camera                           |           |  |
|----------------------------------|-----------|--|
| Image Sensor                     |           | 1/2.7" progressive scan low lux CMOS   |
| Picture Elements                 |           | 1920 (H) x 1080 (V)  |
| Minimum Illumination             | Color     | 0.02 Lux   |
|                                  | IR ON     | 0 Lux  |
| Shutter Speed                    |           | Auto / Manual (1/6 ~ 1/100000 sec)   |
| White Balance                    |           | Auto / Manual  |
| Gain Control                     |           | Auto / Manual  |
| S/N Ratio                        |           | 52 dB  |
| WDR                              |           | Yes  |
| Dynamic Range                    |           | Up to 72 dB  |
| Optical Lens                     |           |  |
| Megapixel                        |           | Yes  |
| Day / Night                      |           | Yes (with removable IR-cut filter)   |
| Lens Type                        |           | Fixed  |
| Focal Length                     |           | 2.8 mm   |
| Maximum Aperture                 |           | F/1.8  |
| Mount                            |           | M12  |
| Horizontal FOV                   |           | 109.9°   |
| Operation                        | Focus     | Fixed  |
|                                  | Zoom      | Fixed  |
|                                  | Iris      | Fixed  |
| IR LED Quantity                  |           | 1 IR LED   |
| Max. IR Distance                 |           | 30 m (98.4 ft)   |
| Operation                        |           |  |
| Video Compression                |           | H.265, H.264, MJPEG  |
| Video Streaming                  |           | Triple streams   |
| Frame Rate                       |           | 30 fps at 1920 x 1080<br>*The frame rate and performance may vary depending on the number of connections and data bitrates (different scenes). |
| Video Resolution                 |           |  |
| Main Stream                      |           | 1920 x 1080 (Default)  |
| Sub Stream                       |           | 1280 x 720, 720 x 576 (Default), 704 x 288, 352 x 288  |
| Third Stream (Closed by Default) |           | 720 x 576, 704 x 288, 352 x 288  |
| Network                          |           |  |
| Interface                        |           | 10/100 Ethernet  |
| Protocol                         |           | DHCP, FTP, HTTP, HTTPS, ICMP, IPv4, IPv6, L2TP, NTP, ONVIF (Profile S), RTP, RTSP, SMTP, SIP, TCP, UDP   |
| Mechanical                       |           |  |
| Camera Angle Adjustment          | Pan       | 0° ~ 360°  |
|                                  | Tilt      | 0° ~ 77°   |
|                                  | Rotate    | 0° ~ 360°  |
| Connectors                       | Power     | DC Jack  |
|                                  | Ethernet  | RJ-45  |
| General                          |           |  |
| Environment Temperature          | Start-up  | -35°C ~ 60°C (-31°F ~ 140°F)   |
|                                  | Operation |  |
| Humidity                         |           | 0% ~ 95% (no condensation)   |
| Power Source                     |           | 12V DC / PoE (IEEE 802.3af)  |
| Max. Power Consumption           |           | 5.5 W  |
| Dimensions                       |           | Ø126 x 94 mm (Ø5.0" x 3.7")  |
| Weight                           |           | 0.33 kg (0.73 lb)  |
| Ingress Protection               |           | IP67   |
| Regulatory                       |           | CE, FCC, RoHS, UL compliant  |

| Web Interface           |   |
|-------------------------|---|
| Installation Management | Web-based configuration   |
| Maintenance             | Firmware upgrade through Web Browser or Utility   |
| Access from Web Browser | Live View, Video Recording, Change Video Quality, Bandwidth Control, Image Snapshot, Defog, Text Overlay, Image Masking   |
| Language                | English   |
| Applications            |   |
| Software Supported      | GV-DVR / NVR (V8.7.4.0), GV-VMS (V16.11.0.0), GV-Control Center (V3.5.0.0), GV-Edge Recording Manager (V1.3.0.0), GV-Recording Server (V1.3.0.0), GV-Redundant / Failover Server (V1.1.0.0) |
| Live Viewing            | Browser (IE, Firefox, Safari)   |




**Note:**

1. It is required to apply patch files to all the supported software.
2. Do not use clothes or any ordinary material to clean the camera cover since they may result in scratches.
3. Specifications are subject to change without notice.

**Packing List**

- |                              |                          |
|------------------------------|--------------------------|
| 1. H.265 Target Eyeball Dome | 5. Drill Template Paster |
| 2. Waterproof Rubber Set     | 6. Download Guide        |
| 3. Screw x 3                 | 7. Warranty Card         |
| 4. Screw Anchor x 3          |                          |

**Accessories**

| Model No.     | Name  | Details  |
|---------------|---|--|
| GV-Mount211   | Wall Mount Bracket  | Dimensions: 233 x 126 x 126 mm (9.2" x 5" x 5")<br>Weight: 0.92 kg (2.0 lb)  |
|               |  |  |
| GV-Mount212   | Wall Box Mount  | Dimensions: Ø 126 x 36 mm (5.0" x 1.4")<br>Weight: 0.18 kg (0.4 lb)  |
|               |  |  |
| GV-PA191      | Power over Ethernet (PoE) Adapter   | GV-PA191 is a Power over Ethernet (PoE) adapter designed to provide power to the IP device through a single Ethernet cable.  |
|               |  |  |
| GV-PoE Switch |   | GV-PoE Switch is designed to provide power along with network connection for IP devices. GV-PoE Switch is available in various models with different numbers and types of ports. |
| Power Adapter |   | Contact our sales representatives for the countries and areas supported.   |