

## GV-Hybrid LPR Camera 20R



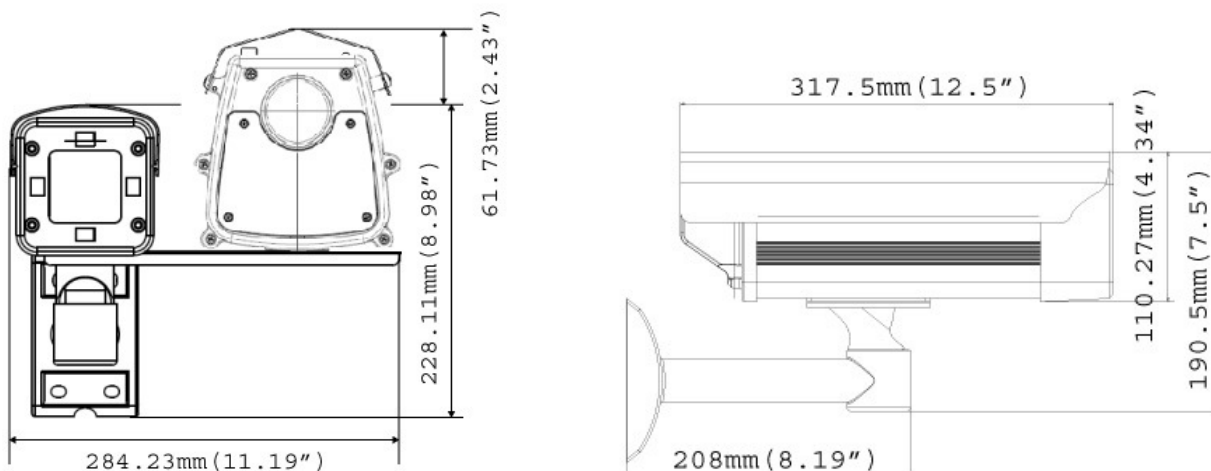

- 1/3" B/W progressive scan CMOS
- Dual streams from MJPEG or H.264
- Up to 30 fps at 1280 x 1024
- Recognition for reflective License Plate only
- Maximum speed 120 km/h (75 mph)
- Maximum IR distance 22 m (72.2 ft)
- Ingress protection (IP67)
- Vandal resistance (IK10 for metal casing)
- Built-in heater and fan
- Support for TV-out
- Two-way audio
- Defog
- Motion detection
- Tampering alarm
- Privacy mask
- Text overlay
- IP address filtering
- Power supplied through PoE (IEEE 802.3 at)
- Support for iPhone, iPad, Android and 3GPP
- 31 languages on Web interface
- ONVIF (Profile S) conformant

### INTRODUCTION

The GV-Hybrid LPR Camera 20R, with an external IR Illuminator, is a 1.3 MP B/W network camera designed solely for recognition of reflective license plates on vehicles traveling at 120 km/hr (75 mph) or less. Equipped with an external IR Illuminator which allows the maximum IR distance of 22 m (72.2 ft), the camera is able to produce clear license plate capture for one lane under low-light conditions. It is also able to work in environments with extreme temperatures from as low as -40°C (-40°F) up to 50°C (122°F).

The GV-Hybrid LPR Camera 20R can be easily configured through its Web interface and you can record and play back recordings using the free GV-NVR software included in the standard package.

### DIMENSION



## SPECIFICATIONS

| Camera                           |             |   |
|----------------------------------|-------------|---|
| Image Sensor                     |             | 1/3" B/W progressive scan CMOS  |
| Picture Elements                 |             | 1280 (H) x 1024 (V)   |
| Shutter Speed                    |             | Automatic, Manual (1/500 ~ 1/8000 sec)  |
| White Balance                    |             | Automatic, Manual (2800K ~ 8500K)   |
| S/N Ratio                        |             | 50 dB   |
| Max. Speed                       |             | 120 km/h (75 mph)   |
| Lens                             |             |   |
| Megapixel                        |             | 1.3 MP  |
| Lens Type                        |             | Varifocal   |
| Focal Length                     |             | 5 ~ 50 mm   |
| Maximum Aperture                 |             | F/1.6   |
| Mount                            |             | CS  |
| Image Format                     |             | 1/3"  |
| Operation                        | Focus       | Manual (w / lock)   |
|                                  | Zoom        | Manual (w / lock)   |
|                                  | Iris        | DCdrive   |
| Max. Torque (Focus/ Zoom Screws) |             | 0.049 N.m   |
| Operation                        |             |   |
| Video Compression                |             | H.264, MJPEG  |
| Video Stream                     |             | Dual streams from H.264 and MJPEG   |
| Frame Rate                       |             | 30 fps at 1280 x 1024<br>* The frame rate and the performance may vary depending on the number of connections and data bitrates (different scenes). |
| Image Setting                    |             | Brightness, Contrast, Sharpness, Gamma, Image Orientation, Shutter Speed, Defog   |
| Audio Compression                |             | G.711, AAC(Optional)  |
| Audio Support                    |             | Two-way audio   |
| Video Resolution                 |             |   |
| Main Stream                      | 4:3         | 1280 x 960, 640 x 480, 320 x 240  |
|                                  | 16:9        | 1280 x 720, 640 x 360, 448 x 252  |
|                                  | 5:4         | 1280 x 1024, 640 x 512, 320 x 256   |
| Sub Stream                       | 4:3         | 640 x 480, 320 x 240  |
|                                  | 16:9        | 640 x 360, 448 x 252  |
|                                  | 5:4         | 640 x 512, 320 x 256  |
| TV-Out                           |             | NTSC, PAL   |
| Network                          |             |   |
| Interface                        |             | 10/100 Base-T Ethernet, RJ-45 connector   |
| Protocol                         |             | DHCP, DynDNS, FTP, HTTP, HTTPS, NTP, ONVIF (Profile S), PSIA, QoS(DSCP), RTSP, SMTP, SNMP, TCP, UDP, UPnP, 3GPP/ISMA                                |
| Mechanical                       |             |   |
| Lens Mounting                    |             | CSMount   |
| Temperature Detector             |             | Yes   |
| Camera Adjustment                | Pan         | 0° ~ 330°   |
|                                  | Tilt        | 0° ~ 90°  |
| Connectors                       | Power       | PoE   |
|                                  | Ethernet    | RJ-45   |
|                                  | Audio       | 1 In (externally connecting a microphone)<br>1 Out (Stereo phone jack, 3.5 mm / 0.14")  |
|                                  | Auto Iris   | DCdrive   |
|                                  | Digital I/O | N/A   |
| TV-Out                           |             | BNCconnector (640 x 480 resolution)   |
| LED Indicator                    |             | 1 LED (Status)  |

| General                 |                 |  |
|-------------------------|-----------------|--|
| Environment Temperature |                 | -40°C ~ 50°C (-40°F ~ 122°F)   |
| Humidity                |                 | 10% to 90% (no condensing)   |
| Power Source            |                 | PoE (IEEE 802.3at)   |
| Max. Power Consumption  |                 | 48 W   |
| Dimension (L x W x H)   | Camera Body     | 317.5 x 284.2 x 290 mm (12.5 x 11.19 x 11.41")<br>(including IR Illuminator / with mounting base)  |
|                         | Cable Length    | 1 m (3.28 ft.)   |
| Weight                  |                 | 5.4 kg (11.9 lb)<br>(including IR Illuminator)   |
| Ingress Protection      |                 | IP67   |
| Vandal Resistance       |                 | IK10 for metal casing  |
| Heater On               |                 | -40°C ~ 8°C (-40°F ~ 46.4°F)   |
| Fan                     |                 | Constantly On  |
| Regulatory              |                 | CE, FCC, C-Tick, RoHS compliant  |
| Power over Ethernet     |                 |  |
| PoE Standard            |                 | IEEE 802.3at Power over Ethernet / PD  |
| PoE Power Supply Type   |                 | End-Span   |
| PoE Power Output        |                 | DC 48 V, 600mA (34.2 W Max.)   |
| Web Interface           |                 |  |
| Installation Management |                 | Web-based configuration  |
| Firmware Upgrade        |                 | Remote upgrade through Web browser<br>GV-IP Device Utility included in the Software DVD  |
| Access from Web Browser |                 | Live View, Video Recording, Video Quality, Bandwidth Control, Image Snapshot, Audio, Picture in Picture, Picture and Picture, Privacy Mask, Tampering Alarm, Text Overlay  |
| Language                |                 | Arabic / Bulgarian / Czech / Danish / Dutch / English / Finnish / French / German / Greek / Hebrew / Hungarian / Indonesian / Italian / Japanese / Lithuanian / Norwegian / Persian / Polish / Portuguese / Romanian / Russian / Serbian / Simplified Chinese / Slovakian / Slovenian / Spanish / Swedish / Thai / Traditional Chinese / Turkish |
| Applications            |                 |  |
| Network Storage         |                 | GV-NVR, GV-System, GV-Recording Server   |
| Smart Device Access     |                 | - GV-Eye for Android smartphone, tablet, iPhone, and iPod Touch<br>- GV-Eye HD for iPad.   |
| Live Viewing            |                 | IE, GV-MultiView   |
| CMS Server support      |                 | GV-Control Center, GV-Center V2, GV-VSM  |
| IR Illuminator          |                 |  |
| IR LED Quantity         |                 | 12 high power IR LEDs  |
| IR Distance             |                 | 18 ~ 22 m ((59.1 ft. ~ 72.2 ft.)   |
| Power Source            |                 | DC 90 V ~ 260 V  |
| Max. Power Consumption  |                 | 28 W   |
| Operating Temperature   |                 | -40°C ~ 60°C (-40°F ~ 140°F)   |
| Dimensions (L x W x H)  |                 | 170 x 160 x 158 mm (6.69 x 6.3 x 6.22")  |
| Weight                  |                 | 2.2 g (4.85 lb)  |
| Conduit                 | Cable Entry     | G(PF) 1/2" thread  |
|                         | Thread Diameter | 20.4 mm (0.8")   |
| GV-PA481                |                 |  |
| PoE Standard            |                 | IEEE 802.3at Power over Ethernet / PSE   |
| PoE Power Output        |                 | DC 48 V, 1A (48 W Max.)  |
| Ethernet Cable Length   |                 | Max 10 m (32.8 ft.) from GV-PA481 to IP device, CAT5   |
| Power Input             |                 | DC 48 V, 1A  |
| Operation Temperature   |                 | -40°C ~ 50°C (-40°F ~ 122°F)   |
| Dimensions (L x W x H)  |                 | 138 x 104 x 38 mm (5.43 x 4.09 x 1.5")   |
| Weight                  |                 | 610 g (3.42 lb)  |

Note: Specifications are subject to change without notice.

## Packing List

- GV-Hybrid LPR Camera 20R
- Iron Screw Anchor x 4
- Expansion Screw x 4
- Washer x 4
- Big Torx Wrench
- Small Torx Wrench
- Sun-Shield Cover
- Slica Gel Bag x 2 (1 already installed)
- Sticker x 2
- GV-PA481 PoE Adapter
- GV-PA481 Power Cord
- GV-IP LPR Camera Software CD
- GV-NVR Software DVD
- GV-ASManager Software DVD

## Accessories

| Model No.    | Name | Details  |
|--------------|------|--|
| GV-POESwitch |      | The GV-POESwitch is designed to provide power along with network connection for IP devices. The GV-POESwitch is available in various models with different numbers and types of ports. |

Note: The GV-POESwitch needs to be used with the supplied GV-PA481 PoE Adapter.

