

GV-MD8710-FD 8MP H.265 Low Lux WDR Pro Face Detection IR Motorized IP

Dome



- 1/2" progressive scan low lux CMOS
- Min. illumination at 0.03 lux
- Triple streams from H.265, H.264 and MJPEG
- Up to 30 fps at 3840 x 2160
- P-iris lens for auto iris control
- Intelligent IR
- IR distance up to 30 m (98.43 ft)
- Day and Night function (with removable IR-cut filter)
- Wide Dynamic Range Pro (WDR Pro)
- 3-axis mechanism (pan / tilt / rotate)
- DC 12V / PoE (IEEE 802.3af)
- Two-way audio
- Built-in Micro SD card slot (SD/SDHC/SDXC/UHS-I, Class 10)
- Face Detection
- 3D noise reduction
- Smart streaming
- Defog
- Privacy mask
- IP address filtering
- Recording assigned by GV-Edge Recording Manager (*Windows & Mac*)
- Supports iPhone, iPad, Android & 3GPP
- 31 languages on Web interface
- ONVIF (Profile S) conformant
- TAICS IoT Cyber Security certified

- * No Memory card slot & local storage function for Argentina.
- * Smart streaming requires GV-DVR / NVR V8.7.0, GV-VMS V16.10.3 or later software versions.
- * Face detection requires GV-VMS 18.1 or later.

Introduction

GV-MD8710-FD is specifically designed for face detection. The camera is equipped with a WDR Pro, an automatic IR-cut filter and IR LEDs for day and night surveillance. With its motorized varifocal lens, the user can zoom and focus the camera from the Web interface. The camera can support H.265 video codec to achieve better compression ratio while maintaining high quality pictures at reduced network bandwidths. For night operations, the camera allows up to 30 m (98.4 ft) IR effective distance. Adjustable in 3 axis (pan, tilt and rotate), it offers smart surveillance solutions with all the essential features and excellent image quality.

Active Tampering Alarm

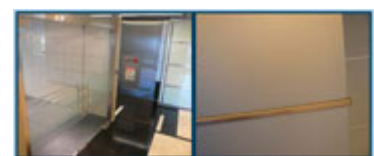
Tampered



Focus Change

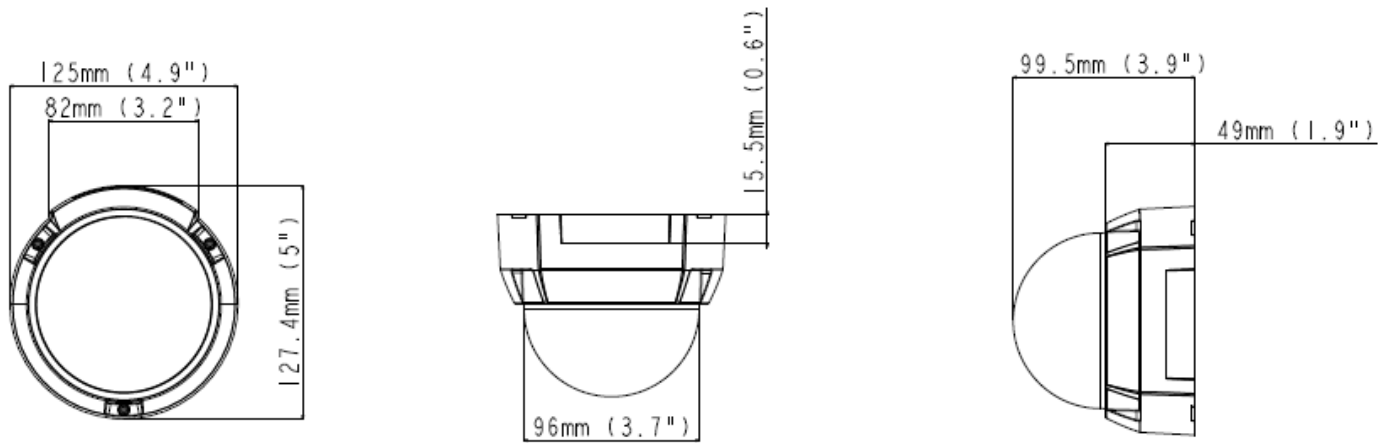


Camera Shift

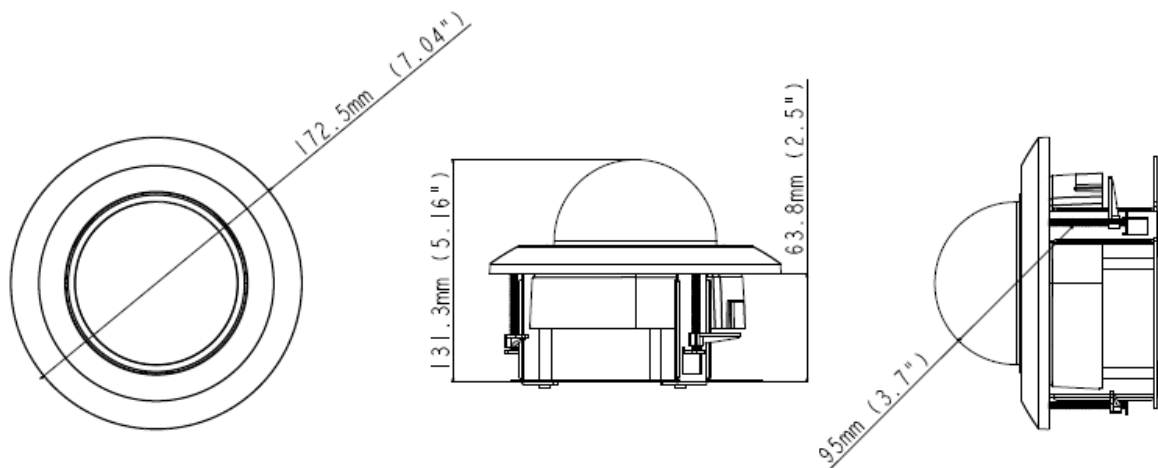


Dimensions

Hard-Ceiling Mount



In-Ceiling Mount



Specifications

| Camera | | |
|----------------------|-------|---|
| Image Sensor | | 1/2" progressive scan low lux CMOS |
| Picture Elements | | 3840 (H) x 2160 (V) |
| Minimum Illumination | Color | 0.04 Lux |
| | B/W | 0.03 Lux |
| | IR ON | 0 Lux |
| Shutter Speed | | Automatic, Manual (1/30 ~ 1/16000 sec.) |
| White Balance | | Automatic, Manual (2800K ~ 8500K) |
| Gain Control | | Automatic |
| S/N Ratio | | 52 dB |
| WDR Pro | | Yes |
| Dynamic Range | | Up to 120 dB |
| Lens | | |
| Megapixel | | Yes |
| Day/Night | | Yes (with removable IR-cut filter) |
| Focal Length | | 4 ~ 8 mm |
| Lens Type | | Motorized varifocal lens |
| Maximum Aperture | | F/1.44 |
| Mount | | Ø14 mm |
| Horizontal FOV | | 112° ~ 61° |

| | | |
|-----------------------------------|--------------------|--|
| Image Format | | 1/2.5" |
| Operation | Focus | Auto |
| | Zoom | 2X optical zoom |
| | Iris | P-iris |
| IR LED Quantity | | 4 IR LEDs |
| Max. IR Distance | | 30 m (98.43 ft) |
| Operation | | |
| Video Compression | | H.265, H.264, MJPEG |
| Video Streaming | | Stream 1 from H.265 or H.264 |
| | | Stream 2 from H.265, H.264 or MJPEG |
| | | Stream 3 from H.265, H.264 or MJPEG |
| Frame Rate | | 50Hz: 30 fps at 3840 x 2160, 25 fps at 2592 x 1944, 25 fps at 2592 x 1520 60Hz: 30 fps at 3840 x 2160 (default), 30 fps at 2592 x 1944, 30 fps at 2592 x 1520 * The frame rate and the performance may vary depending on the number of connections and data bitrates (different scenes). |
| Image Setting | | Brightness, Contrast, Saturation, Sharpness, Gamma, White Balance, Flicker-less, Image Orientation, Shutter Speed, Backlight Compensation, D/N Sensitivity, WDR, Defog, Low Lux Enhancement, Denoise, Metering |
| Audio Compression | | G.711 |
| Audio Support | | Two-way Audio (external microphone and speaker required) |
| Sensor Input | | 1 input (dry contact) |
| Alarm Output | | 1 output (200 mA 5V DC) |
| Face Detection | | |
| Environment | | 600 lux |
| Detectable face angle | Tilt (Up/Down) | ± 30° |
| | Swing (Left/Right) | ± 60° |
| Max. number of faces | | Up to 32 |
| Min. face photo pixel requirement | | 100 x 100 |
| Video Resolution | | |
| Main Stream | 4:3 | 2592 x 1944, 2048 x 1536, 1600 x 1200, 1280 x 960 |
| | 16:9 | 3840 x 2160 (Default), 2592 x 1520, 1920 x 1080, 1280 x 720 |
| | 5:4 | 1280 x 1024 |
| Sub Stream | 4:3 | 1024 x 768, 640 x 480, 320 x 240 |
| | 16:9 | 1280 x 720, 640 x 360 (Default), 448 x 256 |
| | 5:4 | 1280 x 1024, 640 x 512, 320 x 256 |
| Third Stream | 4:3 | 640 x 480, 320 x 240 |
| | 16:9 | 640 x 360 (Default), 448 x 256 |
| | 5:4 | 640 x 512, 320 x 256 |
| Network | | |
| Interface | | 10/100 Ethernet |
| Ethernet Protocol | | DHCP, DynDNS, FTP, HTTP, HTTPS, NTP, ONVIF (Profile S), QoS (DSCP), RTSP, SNMP, SMTP, TCP, UDP, UPnP, 3GPP/ISMA |
| Mechanical | | |
| Temperature Detector | | Yes |
| Camera Angle Adjustment | Pan | 0° ~ 350° |
| | Tilt | 0° ~ 75° |
| | Rotate | 0° ~ 340° |
| Connectors | Power | 2-pin terminal block (DC 12V, 1.25A), PoE |
| | Ethernet | Ethernet (10/100 Base-T), RJ-45 cable |
| | Audio | 1 In (microphone jack, 3.5 mm / 0.14") 1 Out (stereo phone jack, 3.5 mm / 0.14") |
| | Digital I/O | I/O wires |
| | Local Storage | Micro SD card slot (SD/SDHC/SDXC/UHS-I, Class 10) *UHS-II card type is not supported. |
| LED Indicator | | 2 LEDs: Power, Status |

| General | | |
|-------------------------|--|---------------------------|
| Environment Temperature | Start-up | 0°C ~ 50°C (32°F ~ 122°F) |
| | Operation | |
| Humidity | 10% to 90% (no condensation) | |
| Power Source | 12V DC / PoE (IEEE 802.3af) | |
| Max. Power Consumption | 9.5 W | |
| Dimension | ø 125 x 99.5 mm (4.92" x 3.92") | |
| Weight | 500 g (1.10 lb) | |
| Regulatory | CE, FCC, LVD, RoHS, TAICS (IoT Cyber Security) compliant | |
| Power over Ethernet | | |
| PoE Standard | PoE (IEEE 802.3af Power over Ethernet / PD) | |
| PoE Power Supply Type | End-Span and Mid-Span | |
| PoE Power Output | Per Port 48V DC, 350 mA. Max. 15.4 watts | |
| Web Interface | | |
| Installation Management | Web-based configuration | |
| Maintenance | Firmware upgrade through Web Browser or Utility | |
| Access from Web Browser | Camera Live View, Video Recording, Change Video Quality, Bandwidth Control, Image Snapshot, Audio, Picture in Picture, Picture and Picture, Privacy Mask, Text Overlay, Digital PTZ | |
| Language | Arabic / Bulgarian / Czech / Danish / Dutch / English / Finnish / French / German / Greek / Hebrew / Hungarian / Indonesian / Italian / Japanese / Lithuanian / Norwegian / Persian / Polish / Portuguese / Romanian / Russian / Serbian / Simplified Chinese / Slovakian / Slovenian / Spanish / Swedish / Thai / Traditional Chinese / Turkish | |
| Applications | | |
| Software Supported | GV-DVR / NVR (V8.7.6 + Patch V8.7.6.2), GV-VMS (V17.1.0.100 + Patch V17.1.0.17), GV-Edge Recording Manager Win Version (V1.4.0.0), GV-Control Center (V3.5.1), GV-Recording Server (V1.4.2), GV-Redundant / Failover Server (V1.1.0.0 + Patch V1.1.0.006) | |
| Smart Device Access | GV-Eye for iOS and Android | |
| Live Viewing | Browser (IE, Chrome, Firefox, Safari), Mobile app | |

Note:

1. It is required to apply patch files to some of the supported software.
2. Specifications are subject to change without prior notice.

Packing List

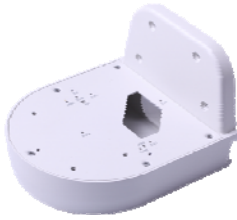





- | | |
|--------------------------|-------------------------|
| 1. H.265 IR IP Dome | 6. I/O Wire |
| 2. Screw x 3 | 7. Installation Sticker |
| 3. Screw Anchor x 3 | 8. Download Guide |
| 4. Torx Wrench | 9. Warranty Card |
| 5. Shielding Ground Wire | |

Note: Power adapters can be purchased upon request.

Accessories

| Model No. | Name | | Details |
|-------------|------------------------------------|---|---|
| GV-Mount100 | Straight Tube and Junction Box Kit |  | Dimensions: 200 x 170 x 257.5 mm (7.9" x 6.7" x 10.1") Weight: 3.17 kg (6.99 lb) |

| Model No. | Name | | Details |
|---------------|--|--|--|
| GV-Mount101 | Straight Tube Kit |  | Dimensions: 219 x 125 x 332 mm (8.6" x 4.9" x 13.1") Weight: 1.8 kg (3.97 lb) |
| GV-Mount200 | Wall Pendant Tube |  | Dimensions: 225 x 140 x 250 mm (8.9" x 5.5" x 9.8") Weight: 900 g (1.98 lb) |
| GV-Mount203 | Wall Pendant Tube and Junction Box Kit |  | Dimensions: 315 x 195.5 x 225 mm (12.4" x 7.7" x 8.9") Weight: 2.95 kg (6.5 lb) |
| GV-Mount300-1 | Convex Corner Adapter Kit |  | Dimensions: 238.6 x 395.2 x 210 mm (9.4" x 15.5" x 8.2") Weight: 4.27 kg (9.41 lb) |
| GV-Mount310-1 | Concave Corner Adapter Kit |  | Dimensions: 111.2 x 369.9 x 210 mm (4.37" x 14.5" x 8.2") Weight: 2.96 kg (6.53 lb) |
| GV-Mount400-1 | Pole Mount Bracket Kit (Ø 4" ~ 6") |  | Dimensions: Bracket: 68.4 x 240 x 163 mm (2.69" x 9.44" x 6.41") Weight: 1.70 kg (3.75 lb) Steel Strap Diameter: Ø 4" ~ 6" |
| GV-Mount410-1 | Pole Mount Bracket Kit (Ø 6" ~ 7.5") |  | Dimensions: Bracket: 68.4 x 240 x 163 mm (2.69" x 9.44" x 6.41") Weight: 1.70 kg (3.75 lb) Steel Strap Diameter: Ø 6" ~ 7.5" |

| Model No. | Name | | Details |
|----------------------|--|--|---|
| GV-Mount909 | Wall Mount Bracket |  | Dimensions: 170 x 150 x 110 mm (6.7" x 5.9" x 4.3") Weight: 610 g (1.34 lb) |
| GV-Mount910 | Power Box Mount Bracket |  | Dimensions: 112 x 98 x 7.5 mm (4.4" x 3.9" x 0.3") Weight: 105 g (0.23 lb) |
| GV-Mount702 | Extension Tube |  | Four options are available. Dimensions: Ø 5.4 x 10 or 20 or 30 or 50 cm (Ø 2.1" x 3.9" or 7.9" or 11.8" or 19.7") Weight: 180 g or 390 g or 550 g or 800 g (0.4 lb or 0.86 lb or 1.21lb or 1.76 lb) |
| GV-Mount913 | Power Box Mount Bracket |  | Dimensions: Ø 146 x 7.5 mm (Ø 5.7" x 0.3") Weight: 180 g (0.4 lb) |
| GV-Mount915 | In-Ceiling Mounting Kit for GV-EFD2101 / 3101 / 5101 |  | Dimensions: Ø 172.5 x 63.8 mm (Ø 7.04" x 2.5") Weight: 424 g (0.93 lb) |
| GV-Mount917 | GV-EFD2101 / 3101 / 5101 Dome Housing |  | Dimensions: Ø 186 x 97.5 mm (Ø 7.3" x 3.8") Weight: 948 g (2.09 lb) |
| GV-PA191 | PoE Adapter |  | Dimensions (H x W x D): 43 x 69 x 40 mm (1.69" x 2.72" x 1.57") Weight: 130 g (0.29 lb) |
| GV-POE Switch | | The GV-POE Switch is designed to provide power along with network connection for IP devices. The GV-POE Switch is available in various models with different numbers and types of ports. | |
| Power Adapter | | Contact our sales representatives for the countries and areas supported. | |