

GV-NET Card V3.1

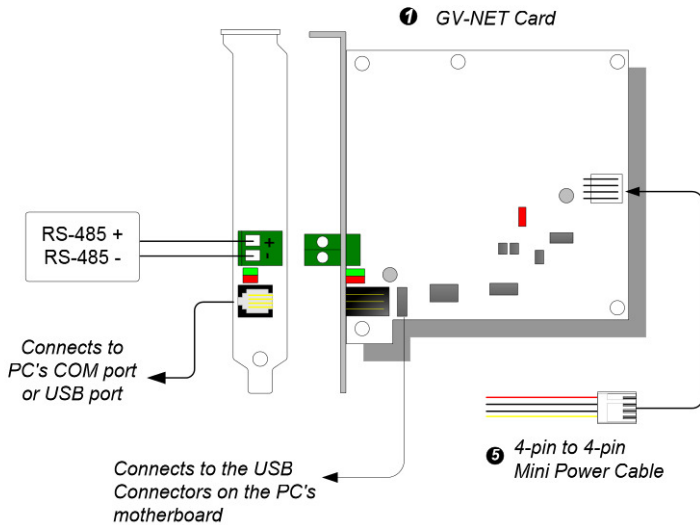
The GV-NET Card is a RS-485 / RS-232 interface converter. The Card connects To the RS-232 port or USB port on your computer, and allows RS-485 devices, such as PTZ domes, to be connected through the Card.

Installation

Insert the GV-NET Card to an empty card slot. Use the 4-Pin Mini Power Cable to connect the GV-NET card to the PC's power supply.

Packing List

- ❶ GV-NET Card x1
- ❷ RJ-11 to DB9 Cable x1
- ❸ RJ-11 to USB Cable x 1
- ❹ 3-Pin Internal USB Cable x 1
- ❺ 4-Pin to 4-Pin Mini Power Cable x 1
- ❻ Installation Guide x 1



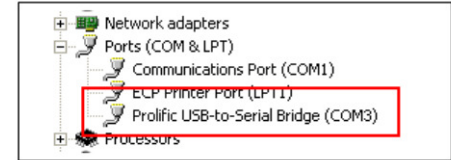
Specifications

OS Supported	32-bit	Windows XP / Vista / 7 / Server 2008
	64-bit	Windows 7 / Server 2008
Interface	RJ-11 to DB9 (RS-232)	
	RJ-11 to USB	
	3-Pin Internal USB to Internal USB	
	RS-485+ / RS-485-	
Communication	RS-485 1,200~115,200 bps; USB	
Environmental Conditions	0 to 50 degree C / 32 to 122 degree F 5%~95% (non-condensing)	
Compatible Model	All GV-Video Capture Card Models	
Dimensions (W x H)	97 x 90 mm / 3.82 x 3.54 in	

USB Driver Installation

To use the USB function, it is required to install the driver on the PC. Follow these steps to install the driver:

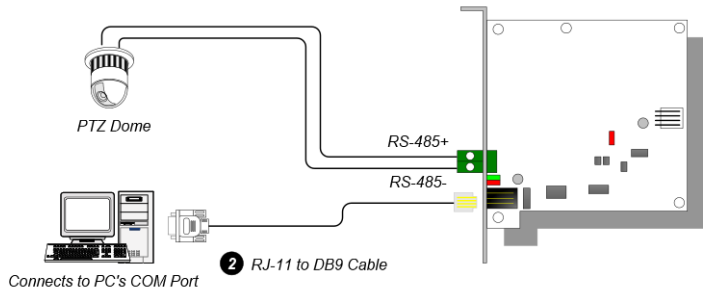
- (1) Insert the software DVD. It will run automatically and pop up a window.
- (2) Select **Install or Remove GeoVision GV-Series Driver** and then click **Install GeoVision USB Device Drivers**. This dialog box appears.
- (3) Click **Install** to install the drivers. When the installation is complete, this message will appear: *Install done!*
- (4) Click **Exit** to close the dialog box.
- (5) To verify the drivers are installed correctly, go to Device Manager. Expanding the Ports field, you should see one entry for Profile USB-to-Serial Bridge.



Connections

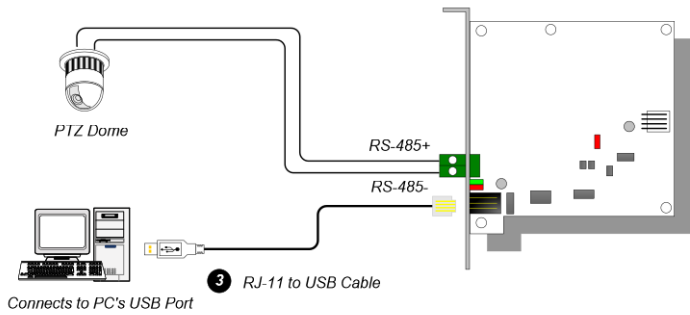
To connect the GV-NET Card to the RS-485 devices, there are three ways of connections. See the pictures below.

1. Connecting a RJ-11 to DB9 Cable to the PC's COM Port when a RS-485 device is connected.



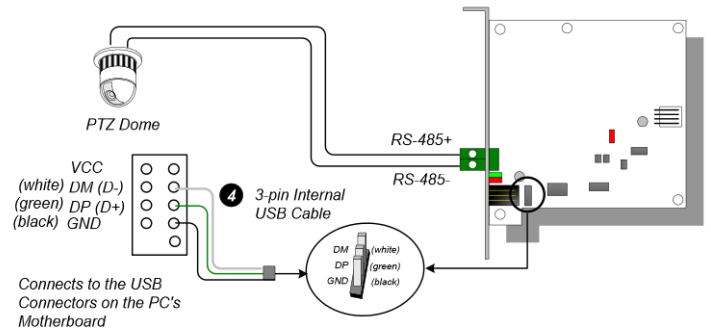
2. Connecting a RJ-11 to USB Cable to the PC's USB Port when a RS-485 device is connected.

* Installation of USB driver is required.



3. Connecting a 3-Pin Internal USB Cable to the USB connectors on the PC's Motherboard when a RS-485 device is connected.

* Installation of USB driver is required.



Note: The GV-NET Card only provides RS-485 / RS-232 data conversion; the connection to the GV Video Capture Card is not required.