

## GV-SD200-S Outdoor Speed Dome



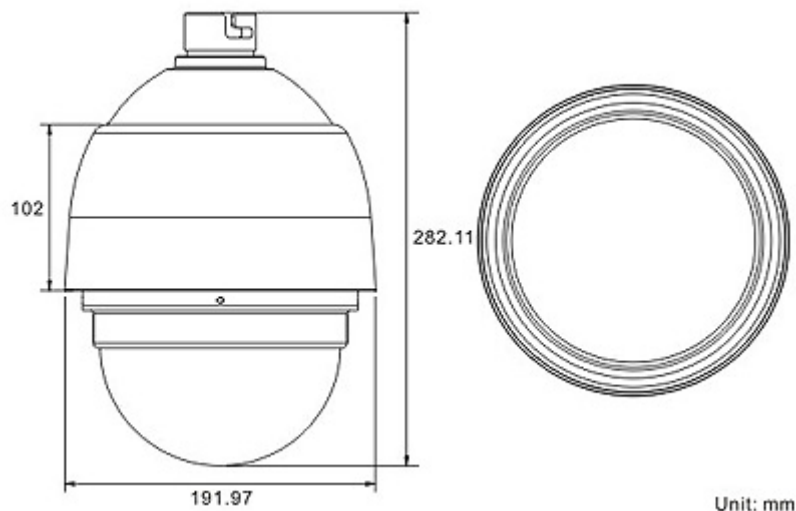
- 2 MP progressive scan CMOS
- 18x Optical Zoom
- 8x Digital Zoom
- H.264 and MJPEG
- Full HD Real-time Resolution
- Two-way audio support on Web interface
- Removable IR Cut Filter
- Motion Detection
- Wide Dynamic Range (WDR)
- Digital Noise Reduction
- IP66 Rating for outdoor environment

### INTRODUCTION

The full HD GV-IP Speed Dome provides variable pan/tilt speeds ranging from a fast patrol of 400° per second to a slow rotation of 5° per second with 0.225° pan accuracy for fast and accurate tracking ability. The 360° endless rotation and -10°~190° tilt travel can track objects passing directly beneath the GV-IP Speed Dome. A maximum of 256 preset points can be programmed for precise location of target areas, and users can also define 8 sequences, 4 auto-pan modes and 4 cruise routes for the Dome to operate automatically.

The GV-IP Speed Dome provides 4 alarm inputs and 2 alarm relay outputs, and the alarm management can be done through the network as well.

### Overview



## SPECIFICATIONS

Camera		
Sensor	1/2.8" Sony Progressive Scan CMOS Sensor	
Optical Zoom	18X	
Digital Zoom	1~8x variable	
Focal Length	4.7 ~ 84.6 mm	
Focus Mode	Auto / Manual	
White Balance	Auto/ Indoor/ Outdoor/ ATW	
Iris Control	Auto / Manual	
Electronic Shutter	1/30 ~ 1/10k sec.	
AGC control	Auto / Manual	
Back Light	On / Off	
Minimum Illumination	Color	0.05 lux at F/1.6
	B/W	0.01 lux at F/1.6
Video		
Video Codec	H.264, MJPEG	
Video Streaming	Single Stream	
Video Resolution	1920 x 1080, 1280 x 1024, 1280 x 720, 1024 x 768, 800 x 600, 720 x 576, 720 x 480, 640 x 480	
Frame Rate	30/25 fps (60/50 Hz) at 1920 x 1080; 30/25 fps (60/50 Hz) at 1280 x 720	
Audio		
Audio input/output	Two-way audio on Web interface	
Audio Codec	G.711 / ADPCM	
Network		
Interface	10/100 Mb Ethernet (RJ-45)	
Protocol	IPv4, TCP/IP, UDP, RTP, RTSP, HTTP, HTTPS, ICMP, FTP, SMTP, DHCP, UPnP, IGMP, SNMP, QoS, IEEE 802.1x, ONVIF	
Web Interface		
Installation Management	Web-based configuration	
Maintenance	Firmware upgrade through Web Browser or IP Device Utility	
Language	English / French / German / Italian / Korean / Russian / Simplified Chinese / Traditional Chinese	
Operation		
Pan Travel	360° endless	
Tilt Travel	-10° ~ 190°	
Manual Speed	0.5° ~ 90°/s	
Presets	256	
Preset Accuracy	0.225°	
Preset Speed	5°~400°/s	
Sequence	8	
Auto Pan	4	
Cruise	8	
Privacy Mask	16	
Proportional Pan & Tilt	On/Off (Pan and tilt speed proportional to zoom ratio)	
Resume after Power loss	Yes	
Zone Title	16	
Home Function	Preset, Sequence, Auto pan, Cruise	
Auto Flip	Digital / Mechanical / Off	
Digital Slow Shutter	On / Off	
Motion Detection	On / Off	
Wide Dynamic Range	On / Off	
Day/Night: IR Cut Filter	Auto / Manual	
Image Inverse	On / Off	
Image Freeze	On / Off	
Noise Reduction	2D	On / Off
	3D	On / Off
Digital Alarm Input	4	
Digital Alarm Output	2	
Alarm Reaction	Preset, Sequence, Auto pan, Cruise	

General	
Operating Temperature	-45°C ~ 50°C / -49°F ~ 122°F
Dimensions	Ø191.97 x 228.1 mm / 7.55 x 11.1 in w/ sunshield
Weight	2.32 kg / 5.11 lb
Power Source	AC24V ± 10%
Power Consumption	65 W (with Heater)
Regulatory	CE, FCC, RoHS, IP66

**Note:** Specifications are subject to change without notice.

### Accessory

Part Number	Number Name		Details
GV-MountD100	Straight Tube (25 cm)		Height: 250 mm / 9.8 in Diameter: 50 mm / 2 in Weight: 1 kg / 2.2 lb Supplied with rubber washer-8 x 1, pendent tube washer x 1, spring washer -8 x 1, waterproof rubber x 1, M8-12 screw x 1
GV-MountD101	Straight Tube (50 cm)		Height: 500 mm / 19.7 in Diameter: 50 mm / 2 in Weight: 1.8 kg / 4 lb Supplied with rubber washer-8 x 1, pendent tube washer x 1, spring washer -8 x 1, waterproof rubber x 1, M8-12 screw x 1
GV-MountD203 (w/o anti-drop wire)	Standard Pendent Mount		Dimensions (L x W x D): 348 x 104 x 138.6 mm / 13.7 x 4.1 x 5.5 in Weight: 1.5 kg / 3.3 lb Supplied with rubber washer-8 x 1, pendent tube washer x 1, spring washer-8 x 1, M8-12 screw x 1
GV-MountD300	Corner Plate Mount		Dimensions (L x W x D): 222 x 204 x 117 mm / 8.7 x 8 x 4.6 in Weight: 2 kg / 4.4 lb Supplied with washer-8 x 4, spring washer x 4, M8-16 screw x 4, M8 nut x 4
GV-MountD301	Corner Thin Box Mount		Dimensions (L x W x D): 300 x 164 x 222 mm / 11.8 x 6.5 x 8.7 in Weight: 3.05 kg / 6.7 lb Supplied with washer x 4, M8-16 screw x 4, spring washer x 4 Power Box can be set inside the thin box.
GV-MountD400	Pole Thin Box Mount		Dimensions (L x W x D): 291 x 136 x 242 mm / 11.5 x 5.4 x 9.5 in Weight: 3.1 kg / 6.9 lb Supplied with M8-16 screw x 4, washer x 4, spring washer x 4, stainless steel straps x 4 Power Box can be set inside the thin box.
GV-MountD401	Pole Thin Direct Mount		Dimensions (L x W x D): 232 x 136 x 60 mm / 9.1 x 5.4 x 2.4 in Diameter: 112~114 mm / 4.4 ~ 4.5 in Weight: 0.7 kg / 1.6 lb Supplied with stainless steel strap x 4, M8-16 screw x 4, washer x 4

GV-MountD302	Wall Box Mount		Dimensions (L x W x D): 270 x 166 x 95 mm / 10.6 x 6.5 x 3.7 in Weight: 2.2 kg / 4.84 lb Supplied with M8-16 screw x 4, washer x 4, spring washer x 4 Power Box can be set inside the wall box.
GV-MountD605	5.8" Smoke Cover		Diameter: 145 mm / 5.7 in
GV-MountD500	Power Box (Input: 110 -115V AC)		Dimensions (L x W): 185.5 x 147 mm / 7.3 x 5.8 in Weight: 2.6 kg / 5.8 lb Output: 24VAC 72VA
GV-MountD501	Power Box (Input: 220 -230V AC)		Dimensions (L x W): 185.5 x 147 mm / 7.3 x 5.8 in Weight: 2.6 kg / 5.8 lb Output: 24VAC 72VA
E57-A1030-100	Power Adaptor (Input: 100-115V AC)		Dimensions (L x W): 131 x 90 mm / 5.16 x 3.54 in Weight: 1.47 kg / 3.23 lb Output: 24V AC 3A
E57-A2030-110	Power Adaptor (Input: 220-230V AC)		Dimensions (L x W): 131 x 90 mm / 5.16 x 3.54 in Weight: 1.47 kg / 3.23 lb Output: 24V AC 3A
GV-MountD202 (w/o anti-drop wire)	Mini Pendant Mount		(included in packing list) Dimensions (L x W x D): 184 x 104 x 115.2 mm / 7.24 x 4.09 x 4.54 in Weight: 0.6 kg / 1.2 lb Supplied with rubber washer-8 x 1, pendant tube washer x 1, spring washer-8 x 1, M8-12 screw x 1
GV-MountD902	Outdoor Mounting Kit		( included in packing list) Height: 73 mm / 2.87 in Diameter: 142.58 mm / 5.6 in Weight: 0.26 kg / 0.57 lb Supplied with Waterproof Rubber, T5/T10 Hexagon Key, M5 Stainless Screw x1, M5 Stainless Tamperproof Screw x1

Packing List

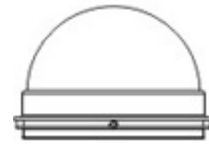


Dome Camera



M3 Standard Screw x 1

M5 Standard Screw x 1

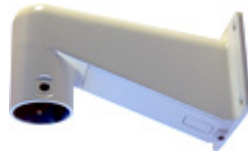


Optical Cover

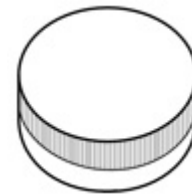


Outdoor Mounting Kit

(GV-MountD902)



Mini Pendent Mount (GV-MountD202)



Lubricant



Software CD x 1