

## GV-SD2300 (20x) PoE Outdoor Full HD IP Speed Dome



- 1/2.8" progressive scan CMOS sensor □
- Full HD 1080p at up to 30 fps and 720p at up to 60 fps □
- 20x optical zoom and 12x digital zoom □
- Wide Dynamic Range Pro (WDR Pro) □
- Day and night function with IR-cut filter □
- 2-way audio □
- Vandal resistance (IK10 for metal and polycarbonate casing) □
- Ingress protection (IP67) □
- Built-in micro SD card slot (SD/SDHC) for local storage □
- 4 digital inputs, 1 relay output □
- DC24V/AC24V/High PoE (PoE+, 60W) □
- Pan 360° endlessly □
- Tilt from 0° to 180° □
- Preset speed at up to 460°/sec □
- PTZ movement (Preset, Sequence, Auto Pan, Cruise and Tour) □
- PTZ movements by schedule □
- Auto and manual PTZ calibration □
- Auto focus □
- Backlight Compensation □
- Image noise reduction □
- Motion detection □
- Privacy Mask □
- Dual streams from H.264 and MJPEG □
- Smart phones & 3GPP support
- 31 languages on Web interface □
- ONVIF (Profile S) conformant □
- \* No memory card slot & local storage function for Argentina □
- \* Optional GV-PA901 PoE Adapter is required for applying PoE function □

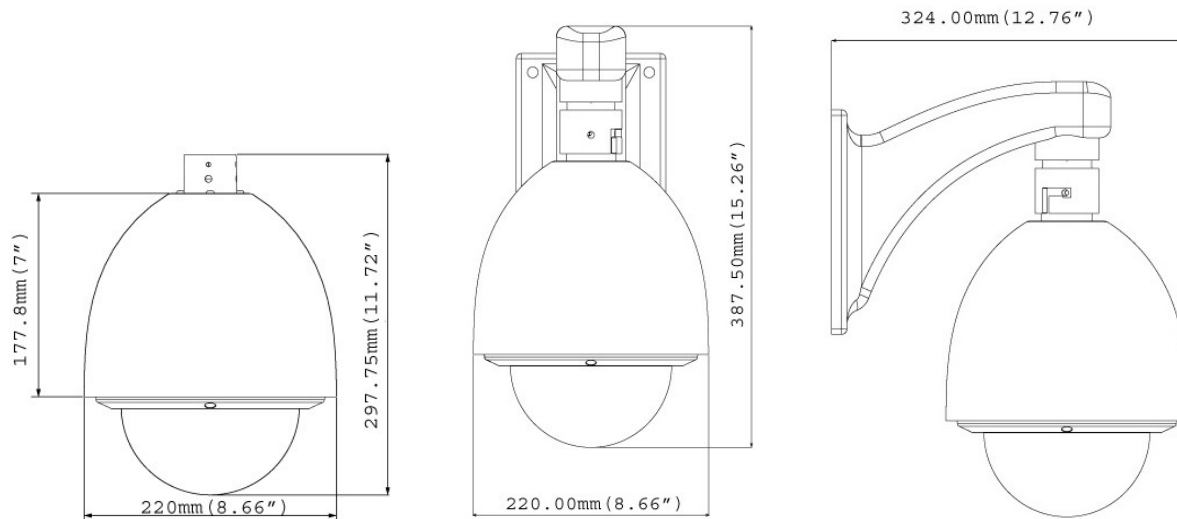
### Introduction □

The GV-IP Speed Dome (GV-SD2300) is a network PTZ camera designed for image quality and adaptability in various environments. This camera offers image of 1080p at 30 fps, 720p at 60 fps and 20x optical zoom, capable of showing smooth live view with great detail. In low-light environments, image quality is promised with its image processing tools, such as IR-cut filter (ICR), Wide Dynamic Range Pro (WDR Pro), Backlight Compensation and noise reduction. □

Wide surveillance coverage is made possible with 360° endless panning and 180° tilting capacity. Dome movements such as Preset, Sequence, Auto Pan, Cruise and Tour can be programmed and activated by schedule. You can create multiple dome movement modes and have different modes enabled at different time slots. The GV-IP Speed Dome provides variable pan/tilt speeds ranging from a fast patrol of 460° per second to a slow ramble of 0.5° per second with 0.2° pan accuracy for fast and accurate tracking ability. □

GeoVision offers a complete series of GV-IP Speed Dome for indoor and outdoor use, and also optional mounting kits for outdoor installations on wall, ceiling and pole. □

## Dimensions



## Specifications

Camera		
Image Sensor	1/2.8" progressive scan CMOS	
Optical Zoom	20x	
Digital Zoom	12x	
Picture Elements	1920(H) x 1080(V)	
Minimum Illumination	Color	0.02 Lux at F/1.6
	B/W	0.001 Lux at F/1.6
Electronic Shutter	1/1 ~ 1/10000 sec.	
White Balance	Auto / Manual	
Iris Control	Auto / Manual	
AGC control	Auto / Manual	
S/N Ratio	50 dB (AGC Off)	
WDR Pro	Yes (with WDR sensor)	
Dynamic Range	Up to 72 dB	

Optical Lens		
Megapixel	Yes	
Day/Night	Yes (with removable IR-cut filter)	
Focal Length	4.7 ~ 94 mm	
Maximum Aperture	F/1.6	
Horizontal FOV	55.4° ~ 2.9°	
Operation	Focus	Auto / Manual
	Zoom	20x
	Iris	Auto / Manual

Video		
Video Compression	H.264, MJPEG	
Video Streaming	Dual streams from H.264 or MJPEG	
Video Resolution	Main Stream 16:9	1920 x 1080, 1280 x 720, 640 x 360, 448 x 252
	Sub Stream 16:9	
Frame Rate	30/25 fps (60/50 Hz) at 1920 x 1080 60/50 fps (60/50 Hz) at 1280 x 720 * The frame rate and performance may vary depending on the number of connections and data bit rates (different scenes).	

Audio	
Audio Compression	G.711, AAC (optional)
Audio Support	Two-way Audio
Sensor Input	4 Input (Dry Contact)

<b>Network</b>		
Interface	10/100M Ethernet	
Protocol	DHCP, DynDNS, FTP, HTTP, HTTPS, NTP, ONVIF (Profile S), QoS (DSCP), RTSP, SMTP, SNMP, TCP, UDP, UPnP, IGMP/ISMA	
<b>Mechanical</b>		
Temperature Detector	Yes	
Connectors	Power	DC Jack, PoE++
	Ethernet	10/100 Base-T, RJ-45 connector
	Audio	1 in (RCA female for microphone); 1 out (RCA female for speaker)
	Local Storage	MicroSD card slot (SD/SDHC, SD version 2.0 only, Class 10) *SDXC and UHS-I card types are not supported.
	Digital I/O	I/O wires
<b>Operation</b>		
Pan Travel	360° endless	
Tilt Travel	0°~180°	
Manual Speed	0.5°~460°/s	
Calibration	Auto/Manual	
Presets	Max. Number	255
	Accuracy	0.2°
Sequence	Max. Number	8
	Max. Presets Allowed	16
Auto Pan	8	
Cruise	4	
Tour	Max. Number	8
	Max. Number of Preset / Sequence / Auto Pan / Cruise	16
Privacy Mask	8	
Proportional Pan & Tilt	Auto (Pan and tilt speed proportional to zoom ratio)	
Automatic Function	Preset, Sequence, Auto Pan, Cruise, Tour	
Mechanical Flip	On/Off	
Digital Slow Shutter	On/Off	
Motion Detection	On/Off	
Wide Dynamic Range	On/Off	
Day/Night: Mechanical IR Cut Filter	On/Off	
Picture Flip	On/Off	
Image Freeze	On/Off	
Digital Noise Reduction	On/Off	
Alarm	Input	4
	Output	1
	Reaction	Preset, Sequence, Auto Pan, Cruise, Tour
<b>General</b>		
Operating Temperature	-40°C~50°C (-40°F~122°F)	
Heater	Heater 1: On: 5°C (41°F); Off: 8°C (46.4°F) Heater 2: On: 7°C (19.4°F); Off: 2°C (28.4°F)	
Fan-On	45°C (113°F)	
Humidity	20%~90% (non-condensing)	
Dimensions	Ø220 x 297.75 mm (8.7" x 11.7")	
Weight	4.7 kg (10.4 lb)	
Power Source	24V AC ±10% 3A / 24V DC ±10% 3.75A / High PoE++ (PoE++)	
Power Consumption	60W (with 30W heater)	
Ingress Protection	IP67	
Vandal Resistance	IK10 for metal and polycarbonate casing	
Regulatory	CE, FCC, RoHS compliant	
<b>Power over Ethernet</b>		
PoE Standard	PoE++ (60W) / PD	
PoE Power Supply Type	End-Span	

Web Interface	
Installation Management	Web-based configuration
Maintenance	Firmware upgrade through Web Browser or Utility
Access from Web Browser	Live View, Video Recording, PTZ Control, Preset, Sequence, Cruise, Auto Pan, Tour, Image Quality, Bandwidth Control, Image Snapshot, I/O Control, 2-way Audio, Picture-in-Picture (PIP), Picture-and-Picture (PAP), Text Overlay, Image Masking
Language	Arabic / Bulgarian / Czech / Danish / Dutch / English / Finnish / French / German / Greek / Hebrew / Hungarian / Indonesian / Italian / Japanese / Lithuanian / Norwegian / Persian / Polish / Portuguese / Romanian / Russian / Serbian / Simplified Chinese / Slovakian / Slovenian / Spanish / Swedish / Thai / Traditional Chinese / Turkish
Applications	
Network Storage	GV-System (GV-DVR / NVR), GV-VMS, GV-Backup Center, GV-Recording Server
Smart Device Access	GV-Eye for iOS and Android
Live Viewing	Browser (IE, Chrome, Firefox, Safari), Mobile Phone
QMS Server support	GV-Control Center, GV-Center V2, GV-Vital Sign Monitor

**Note:**

- Specifications are subject to change without notice.
- Do not use clothes or any ordinary material to clean the camera cover since they may result in scratches.
- Mind the following when using an inserted memory card for recording:
  - Recorded data on the memory card can be damaged or lost if the data are accessed while the camera is under physical shock, power interruption, memory card detachment or when the memory card reaches the end of its lifespan. No guarantee is provided for such causes.
  - To avoid power outage, it is highly suggested to apply a battery backup (UPS).
  - For better performance, it is highly suggested to use Micro SD card of MLC NAND flash, Class 10.
  - Replace the memory card when its read/write speed is lower than 6 MB/s or when the memory card is frequently undetected by the camera.

□

**Packing List**


- |                                    |                                 |
|------------------------------------|---------------------------------|
| 1. GV-SD2300 Outdoor IP Speed Dome | 5. Desiccant Pack x4            |
| 2. Pendant Tube                    | 6. GV-IP Speed Dome Software CD |
| 3. Hex Key x2                      | 7. GV-NVR Software DVD          |
| 4. M6 Screw x4                     | □                               |

Note: Power adapters can be purchased upon request.

□

## Accessories

Part Number	Name		Details
GV-Mount 100	Straight Tube and Junction Box Kit		Dimensions: 200 x 170 x 257.5 mm (7.9" x 6.7" x 10.1") Weight: 3.17 Kg (6.99 lb)
GV-Mount 101	Straight Tube Kit		Dimensions: 219 x 125 x 332 mm (8.6" x 4.9" x 13.1") Weight: 1.8 Kg (3.97 lb)
GV-Mount 203	Wall Pendant Tube and Junction Box Kit		Dimensions: 315 x 195.5 x 225 mm (12.4" x 7.7" x 8.9") Weight: 2.95 Kg (6.5 lb)
GV-Mount 300	Convex Corner Adapter Kit		Dimensions: 238.6 x 409.5 mm (9.4" x 16.1") Weight: 4.27 Kg (9.41 lb)
GV-Mount 310	Concave Corner Adapter Kit		Dimensions: 238.6 x 409.5 mm (9.4" x 16.1") Weight: 4.27 Kg (9.41 lb)
GV-Mount 400	Pole Mount Bracket Kit (Ø4" x 6")		Dimensions Bracket: 241 x 161 mm (9.5" x 6.3") Weight: 1.70 Kg (3.75 lb) Steel Strap: Ø4" x 6"
GV-Mount 410	Pole Mount Bracket Kit (Ø6" x 7.5")		Dimensions Bracket: 241 x 161 mm (9.5" x 6.3") Weight: 1.70 Kg (3.75 lb) Steel Strap: Ø6" x 7.5"

Part Number	Name	Details
GV-Mount702	Extension Tube	<p>Four options are available.</p> <p>Dimensions: Ø5.4 x 10 or 20 or 30 or 50 cm (Ø2.1" x 3.9" or 7.9" or 11.8" or 19.7")</p> <p>Weight: 180g or 390g or 550g or 800g (0.4lb or 0.86lb or 1.21lb or 1.76lb)</p>
GV-Mount908	In-Ceiling Mounting Kit for GV-SD2300 IP Speed Dome	<p>Dimensions</p> <p>Mounting Plate: 227 x 286 mm (8.9" x 11.3")</p> <p>Weight</p> <p>2.05 Kg (4.5 lb)</p>
GV-PA901	PoE Adapter	<p>The GV-PA901 PoE adapter is designed to provide power and network connection to IP cameras over a single Ethernet cable.</p> <p>Dimensions (L x W x H): 69 x 40 x 93 mm / 2.7" x 1.57" x 3.66"</p> <p>Weight: 250 kg / 0.55 lb</p> <p>High Power over Ethernet: Max. 90W</p>
	DC24V Power Adapter 100-240V AC US	
	DC24V Power Adapter 100-240V AC AU	
	DC24V Power Adapter 100-240V AC AR	
	DC24V Power Adapter 100-240V AC EU	
	DC24V Power Adapter 100-240V AC J	
	DC24V Power Adapter 100-240V AC UK	

