

GV-SD2723-IR (20x) PoE 2MP H.265 Low Lux WDR Pro Outdoor IR IP Speed

Dome



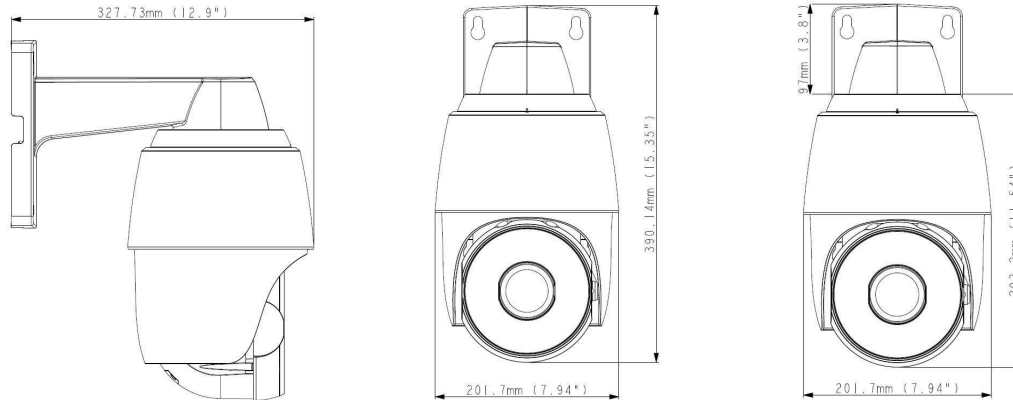
- 1/3" progressive scan low lux CMOS sensor
 - Min. illumination at 0.1 lux
 - Dual streams from H.265, H264 or MJPEG
 - Up to 50 fps at 1920 x 1080
 - 20x optical zoom and 32x digital zoom
 - Intelligent IR
 - IR distance up to 250 m (820 ft)
 - Day and night function (with removable IR-cut filter)
 - Wide Dynamic Range Pro (WDR Pro)
 - Vandal resistance (IK10 for metal casing)
 - Ingress protection (IP66)
 - Wide temperature tolerance (-40°C ~ 70°C / -40°F ~ 158°F)
 - Two-way audio
 - Built-in micro SD card slot (SD/SDHC/SDXC/UHS-I, Class10) for local storage
 - DC 24V / AC 24V / High PoE (PoE++, 90 W)
 - Four sensor inputs and one digital alarm output
 - Pan 360° endlessly
 - Tilt from -20° to 200°
 - Pan speed at up to 360°/sec and tilt at 400°/sec
 - PTZ movement (Preset, Sequence, Auto Pan, Cruise and Tour)
 - PTZ movements by schedule
 - Auto and manual PTZ calibration
 - Auto focus
 - 3D noise reduction
 - Motion detection
 - Privacy mask
 - 31 languages on Web interface
- * No memory card slot & local storage function for Argentina

Introduction

The GV-SD2723-IR IP Speed Dome is an outdoor network PTZ camera that offers 20x optical zoom and 32x digital zoom, and is capable of capturing high-definition images (1080p at 50 fps) with great details. In low-light environments, night vision is enhanced by its high power LEDs with an effective IR distance of up to 250 m (820 ft).

Wide surveillance coverage is made possible with 360° endless panning and -20° ~ 200° tilting capacity. PTZ functions such as Preset, Sequence, Auto Pan, Cruise and Tour can be programmed and activated by schedule. The GV-SD2723-IR IP Speed Dome supports a pan/tilt speed of from 0.1 to 400° per second, with 0.2° pan accuracy, for fast and accurate tracking ability. The camera adheres to IK10 and IP66 standards.

Dimensions



Specifications

Camera		
Image Sensor		1/3" progressive scan low lux CMOS
Optical Zoom		20x
Digital Zoom		32x
Picture Elements		1920 (H) x 1080 (V)
Minimum Illumination	Color	0.5 Lux at F/1.6
	B/W	0.1 Lux at F/1.6
	IR ON	0 Lux
Electronic Shutter		1/6 ~ 1/30000 sec.
White Balance		Auto / Manual (2800 ~ 8500K)
Gain Control		Automatic
Iris Control		Auto / Manual
AGC control		Auto / Manual
S/N Ratio		50 dB (AGC Off)
WDR Pro		Yes
Dynamic Range		Up to 120 dB
Optical Lens		
Megapixel		Yes
Day / Night		Yes (with removable IR-cut filter)
Focal Length		4.7 ~ 94 mm
Maximum Aperture		F/1.6
Horizontal FOV		55.4° ~ 2.9°
Operation	Focus	Auto / Manual
	Zoom	20x
	Iris	Auto / Manual
IR LED Quantity		4 IR LEDs
Max. IR Distance		250 m (820 ft)
Video		
Video Compression		H.265, H.264, MJPEG
Video Streaming		Stream 1 from H.265 or H.264 Stream 2 from H.265, H264 or MJPEG
Video Resolution	Main Stream	16:9 1920 x 1080 (Default), 1280 x 720, 640 x 360
	Sub Stream	
Frame Rate		50Hz: 50 fps at 1920 x 1080 60Hz: 30 fps at 1920 x 1080 * The frame rate and performance may vary depending on the number of connections and data bitrates (different scenes).
Audio		
Audio Compression		G.711, AAC (optional)
Audio Support		Two-way audio
Sensor Input		4 Input (dry contact)
Alarm Output		1 Digital output (4A 30V DC / 250V AC)

Network		
Interface	10/100 Ethernet	
Protocol	DHCP, DynDNS, FTP, HTTP, HTTPS, IPv4, IPv6, 3GPP/ISMA, NTP, ONVIF (Profile S), QoS (DSCP), RTSP, SMTP, SNMP, TCP, UDP, UPnP, Multicast	
Mechanical		
Temperature Detector	Yes	
Connectors	Power	Cable with DC Jack (DC 24V, AC 24V), PoE++
	Ethernet	10/100 Base-T, RJ-45 connector
	Audio	1 in (RCA female for microphone); 1 out (RCA female for speaker)
	Local Storage	Micro-SD card slot (SD/SDHC/SDXC/UHS-I, Class 10) *UHS-II card type is not supported.
	Digital I/O	I/O wires
Operation		
Pan Travel	360° endless	
Tilt Travel	-20° ~ 200°	
Manual Speed	Pan	0.1 ~ 360°/s
	Tilt	0.1 ~ 400°/s
Calibration	Auto / Manual	
Presets	Max. Number	255
	Accuracy	0.2°
Sequence	Max. Number	8
	Max. Presets Allowed	16
Auto Pan	8	
Cruise	4	
Tour	Max. Number	8
	Max. Number of Preset / Sequence / Auto Pan / Cruise	16
Privacy Mask	8	
Proportional Pan & Tilt	Auto (Pan and tilt speed proportional to zoom ratio)	
Automatic Function	Preset, Sequence, Auto Pan, Cruise, Tour	
Mechanical Flip	On / Off	
Digital Slow Shutter	On / Off	
Motion Detection	On / Off	
Wide Dynamic Range	On / Off	
Day/Night: Mechanical IR Cut Filter	On / Off	
Picture Flip	On / Off	
Image Freeze	On / Off	
Digital Noise Reduction	On / Off	
Alarm	Input	4
	Output	1
	Reaction	Preset, Sequence, Auto Pan, Cruise, Tour
General		
Operating Temperature	-40°C ~ 70°C (-40°F ~ 158°F)	
Heater	Heater 1 On: 28°C (82.4°F); Off: 33°C (91.4°F) Heater 2 On: 17°C (62.6°F); Off: 22°C (71.6°F)	
Fan-On	On: 55°C (131°F); Off: 50°C (122°F)	
Humidity	10% ~ 90% (non-condensing)	
Dimensions	Ø 201.7 x 293.2 mm (7.94" x 11.54")	
Weight	5.6 kg (12.3 lb)	
Power Source	24V AC ± 10%, 3A / 24V DC ± 10%, 3.75A, High PoE (PoE++, 90 W)	
Power Consumption	85 W	
Ingress Protection	IP66	
Vandal Resistance	IK10 for metal casing	
Regulatory	CE, FCC, RCM, RoHS compliant	

Power over Ethernet	
PoE Standard	PoE++ (90 W) / PD
PoE Power Supply Type	End-Span
PoE Power Output	56V DC, 1600 mA (90 W Max.)
Web Interface	
Installation Management	Web-based configuration
Maintenance	Firmware upgrade through Web Browser or Utility
Access from Web Browser	Live View, Video Recording, PTZ Control, Preset, Sequence, Cruise, Auto Pan, Tour, Image Quality, Bandwidth Control, Image Snapshot, I/O Control, 2-way Audio, Picture-in-Picture (PIP), Picture-and-Picture (PAP), Text Overlay, Image Masking
Language	Arabic / Bulgarian / Czech / Danish / Dutch / English / Finnish / French / German / Greek / Hebrew / Hungarian / Indonesian / Italian / Japanese / Lithuanian / Norwegian / Persian / Polish / Portuguese / Romanian / Russian / Serbian / Simplified Chinese / Slovakian / Slovenian / Spanish / Swedish / Thai / Traditional Chinese / Turkish
Applications	
Network Storage	GV-DVR / NVR, GV-VMS, GV-Backup Center, GV-Recording Server
Smart Device Access	GV-Eye for iOS and Android
Live Viewing	Browser (IE, Chrome, Firefox, Safari), Mobile App
CMS Server support	GV-Control Center, GV-Center V2, GV-Vital Sign Monitor

Note:

- Do not use clothes or any ordinary material to clean the camera cover since they may result in scratches.
- Mind the following when using an inserted memory card for recording:
 - Recorded data on the memory card can be damaged or lost if the data are accessed while the camera is under physical shock, power interruption, memory card detachment or when the memory card reaches the end of its lifespan. No guarantee is provided for such causes.
 - The stored data can be lost if the memory card is not accessed for a long period of time. Back up your data periodically if you seldom access the memory card.
 - Memory cards are expendable and their durability varies according to the conditions of the installed site and how they are used. Back up your data regularly and replace the memory card annually.
 - To avoid power outage, it is highly recommended to apply a battery backup (UPS).
 - For better performance, it is highly recommended to use Micro-SD card of MLC NAND flash, Class 10.
 - Replace the memory card when its read/write speed is lower than 6 MB/s or when the memory card is frequently undetected by the camera.
- Specifications are subject to change without notice.


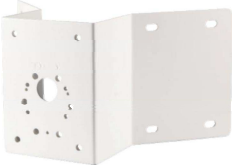



Packing List

- | | |
|-------------------------------|--------------------|
| 1. GV-SD2723-IR IP Speed Dome | 5. RJ-45 Connector |
| 2. Pendant Tube (GV-Mount207) | 6. Data Cable |
| 3. Hex Key x 2 | 7. Download Guide |
| 4. Rubber Ring | 8. Warranty Card |

Note: Power adapters can be purchased upon request.

Accessories

Model No.	Name	Details
GV-Mount102	Straight Tube Box Mount	 Dimensions: 256 x 256 x 316 mm (10.1" x 10.1" x 12.4") Weight: 6.6 kg (14.6 lb)

Model No.	Name		Details
GV-Mount103	Straight Tube Mount		Dimensions: 219 x 125 x 340 mm (8.6" x 4.9" x 13.4") Weight: 2.2 kg (4.9 lb)
GV-Mount208-1	Swan Neck Mount		Dimensions: 1043 x 565 x 256 mm (41.06" x 22.24" x 10.08") Weight: 10.6 kg (23.37 lb)
GV-Mount300-1	Convex Corner Adapter Kit		Dimensions: 238.6 x 409.5 mm (9.4" x 16.1") Weight: 4.27 kg (9.41 lb)
GV-Mount310-1	Concave Corner Adapter Kit		Dimensions: 123.36 x 393.1 mm (4.9" x 15.5") Weight: 2.96 kg (6.53 lb)
GV-Mount400-1	Pole Mount Bracket Kit (Ø 4" ~ 6")		Bracket: 241 x 161 mm (9.5" x 6.3") Weight: 1.70 kg (3.75 lb) Steel Strap: Ø 4" ~ 6"
GV-Mount410-1	Pole Mount Bracket Kit (Ø 6" ~ 7.5")		Bracket: 241 x 161 mm (9.5" x 6.3") Weight: 1.70 kg (3.75 lb) Steel Strap: Ø 6" ~ 7.5"
GV-Mount501	Convex Corner Box Mount		Dimensions: 136 x 256 x 256 mm (5.4" x 10.1" x 10.1") Weight: 4.8 kg (10.6 lb)

Model No.	Name		Details
GV-Mount702	Extension Tube		Four options are available. Dimensions: Ø 5.4 x 10 or 20 or 30 or 50 cm (Ø 2.1" x 3.9" or 7.9" or 11.8" or 19.7") Weight: 180 or 390 or 550 or 800 g (0.4 or 0.86 or 1.21 or 1.76 lb)
GV-PA901	PoE Adapter		GV-PA901 PoE adapter is designed to provide power and network connection to IP cameras over a single Ethernet cable.
Power Adapter	DC 24V Power Adapter 100-240V AC US <hr/> DC 24V Power Adapter 100-240V AC AU <hr/> DC 24V Power Adapter 100-240V AC AR <hr/> DC 24V Power Adapter 100-240V AC EU <hr/> DC 24V Power Adapter 100-240V AC JU <hr/> DC 24V Power Adapter 100-240V AC UK		Dimensions: 132.75 x 58.6 mm (5.23" x 2.3") Weight: 0.39 kg (0.86 lb) Input: 100 ~ 240V AC, 2.5A, 50-60Hz Output: 24V DC, 3.75 A Contact our sales representatives for the countries and areas supported.