

GV-SDI-BX100-0 / 100-1 HD-SDI Digital Image Camera



Varifocal Lens

- Full HD Resolution
- Excellent Sensitivity
- ATR-EX (WDR)
- Digital Noise Reduction (DNR)
- Day & Night
- Privacy Mask
- Lens (C/CS Mount)
- OSD
- Image Control



Fixed Lens

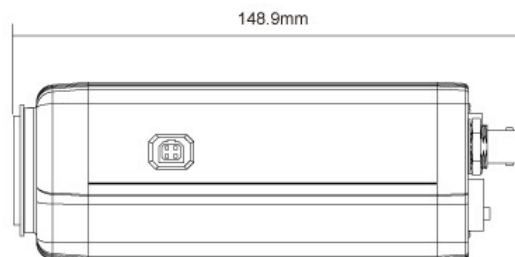
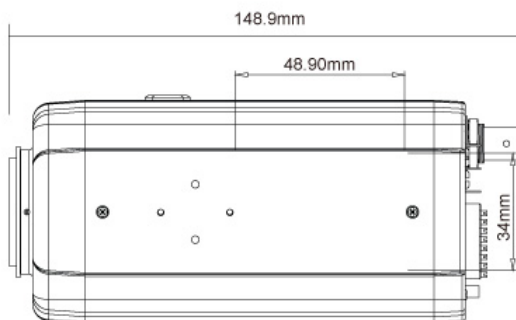
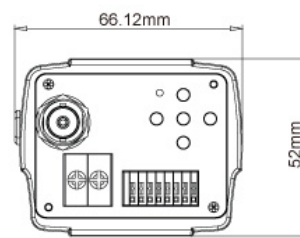
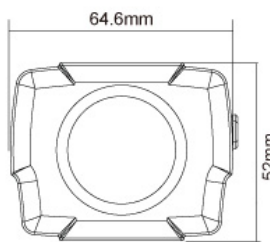
Introduction

This HD-SDI digital image camera uses a high sensitive color Sony 1/2.8" interline transfer Charge Coupled Device (CMOS) image sensor, producing pictures reaching up 900 lines of horizontal resolution.

Super ATR-EX technology can achieve the WDR application through the normal image sensor. Carefully planned privacy zone enables monitoring more at ease.

There are two models of cameras:

Model No.	Lens	Description
GV-SDI-BX100-0	Varifocal	2 MP, D/N, Auto Iris
GV-SDI-BX100-1	Fixed	2 MP, D/N, Fixed Iris



SPECIFICATIONS

		GV-SDI-BX100-0	GV-SDI-BX100-1
Camera			
Image Sensor		1/2.8" type CMOS	
Picture Elements		1920 (H) x 1080 (V)	
Minimum Illumination	Color	0.5 Lux at F/1.4	0.5 Lux at F/1.5
	B/W	0.1 Lux at F/1.4	0.1 Lux at F/1.5
	IR ON	0 Lux	
Resolution		Up to 900 TVL	
Shutter Speed		Automatic / Manual (1/50 ~ 1/20,000 sec)	
White Balance		Automatic, Manual (2800 ~ 8500K)	
S/N Ratio		More than 50dB	
Day/Night		Auto / Day / Night / EXT (with removable IR-cut filter)	
BLC		On / Off	
ATR-EX (WDR)		On / Off (Auto detection , 5 Levels)	
Digital Noise Reduction		Off / 1~5 Steps	
Gain Control		Auto / Off / Low / Mid / Mid-H / High	
Lens			
Megapixel		Yes	
Lens Type		Varifocal	Lens Type
Focal Length		2.8 ~ 12 mm	Focal Length
Maximum Aperture		F/1.4	Maximum Aperture
Mount		CS Mount	
Image Format		1/3"	
Operation			
Signal System Format		1080P60, 1080P50, 1080I60, 1080I50, 1080P30, 1080P25, 1080P59.94 , 1080I59.94 , 1080P29.97, 720P60 , 720P50 , 720P59.94	
Camera Title		Up to 16 characters	
Mirror		Off / Horizontal / Vertical / Rotation	
Privacy Masking		16 areas (Area size adjustable)	
Positive / Negative		On / Off	
General			
Operating Temperature		-10 °C ~ 60 °C / 14 °F ~ 140 °F	
Power Source		DC12V / AC24V	
Max. Power Consumption		6.6 W	
Video Output		3G HD-SDI / 800mV / 75 Ohms	
Remote Control		RS-485 / RS-422	
Protocol		PELCO D & P	

Note: Specifications are subject to change without notice.