

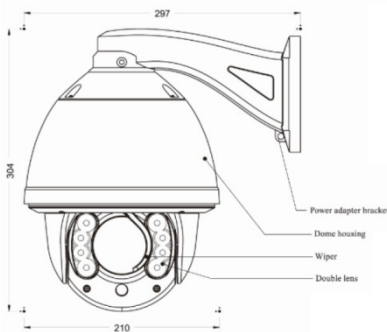
# 27x IR Speed PTZ Camera



## Features

- 27x Optical Zoom
- 300ft IRs, the latest "dot" infrared light
- Speed PTZ dome with full function
- 650TVL(Color), 700TVL(B/W)
- 360° endless rotation
- Preset/Scan/Tour/Park/Pattern
- True Day & Night
- DC12V/AC24V
- Junction Box, Wiper

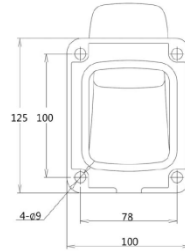
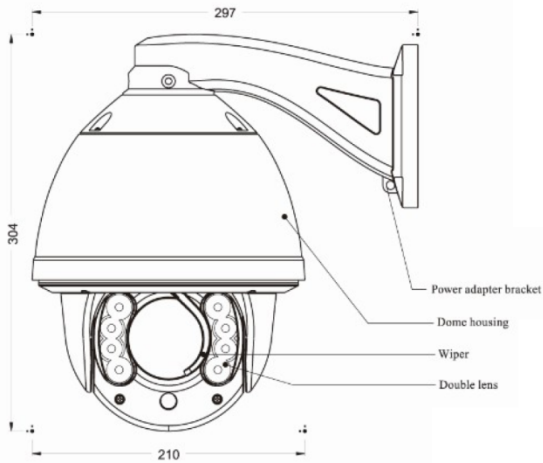
## Dimension(mm)



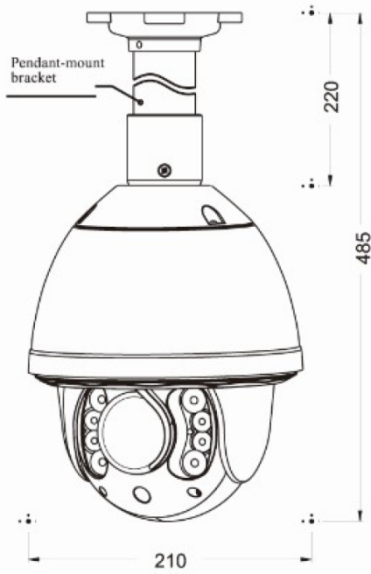
Model	PTZ-IR27
<b>Camera</b>	
Image Sensor	1/3" SONY Exview HAD CCD II
Effective Pixels	NTSC:967(H)×494(V)/PAL:960(H)×582(V)
Resolution	650TVL COLOR, 700 TVL B/W
Min.Illumination	0Lux/F1.8 (IR on)
Optic Zoom	27X, f=3.2 to 86.4mm(F 1.6 to 3.8)
Field of view	H:61.2°(W)~2.5°(T) V:46.5°(W)~1.8°(T)
S/N (Y signal)	52dB (AGC Off)
Day & Night	Auto, Day, Night
IRs	8 Giant IR, 300ft (the latest "dot" infrared light source )
Focus	AUTO,MANUAL
AGC Level	Off,Low,Middle,High
White Balance	Auto/Indoor/Outdoor/Manual
Backlight	Yes
DNR	2D-DNR
FLIP/MIRROR	ON/OFF
Video Output	Composite Video ,1.0Vp-p(75Ω,BNC)
<b>PTZ</b>	
Wiper	Yes
Pan/Tilt Range	Horizontal 360 °(endless) Vertical: 0°~ 95 °
Speed	Pan : 0 ~ 400 ° / sec. Tilt : 0~120° / sec. (proportional to zoom ratio)
Preset	256
Auto Scan	8
Pattern	4
Sequence (Tour)	8
Timing Action	Selectable action by time schedule
IDLE(Park)	Selectable action when no command
Auto Flip	On/Off
Password	Yes
Communication	RS-485
Protocol	Pelco-D, P
Input Voltage	AC24V, DC12V
<b>GENERAL</b>	
Power Consumption	Max. 2.5A, 50W
Dimension	Φ8.3"x 12"(Φ210mm x 304mm)
Waterproof	IP66
Weight	15 lb
Working Temp.	-31°F~ 131°F(- 35 °C ~ 55 °C)
Working Humidity	0%~90% (Non-condensation)



## Parts Description



## Optional Brackets



Pendant Mount