



FD8167/67-T

Fixed Dome Network Camera

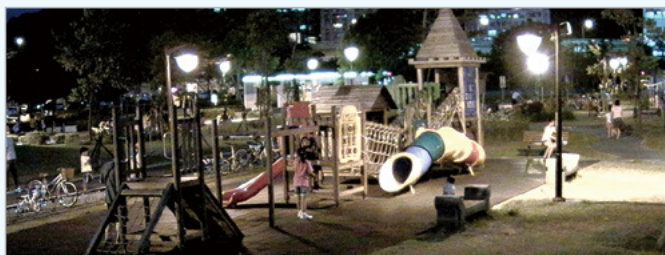
2MP · 30M IR · Smart IR · Smart Stream · Low Light

VIVOTEK FD8167/FD8167-T is a stylish, indoor-style network camera designed for diverse indoor applications. Equipped with a 2MP sensor enabling viewing resolution of 1920x1080 at a smooth 30 fps, the FD8167/FD8167-T is an all-in-one indoor camera capable of capturing high quality and high resolution video, even in low light environment. Providing such a polished image quality, FD8167/FD8167-T is also designed with VIVOTEK Smart Stream, 3DNR to save notable bandwidth for users.

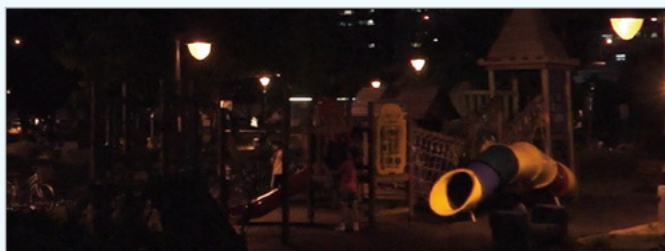
To emphasize the image quality, FD8167/FD8167-T also comes with a P-iris lens, which controls the iris with extreme precision with its built-in stepper motor. By using software controls, the lens maintains the iris opening at an optimal level at all times, resulting in superior sharpness and depth of field as well as image quality. To help adjust the focus more efficiently, FD8167-T is also designed with VIVOTEK's Smart Focus System to make installation and adjustment easier by using remote focus and zoom adjustment.

Key Features

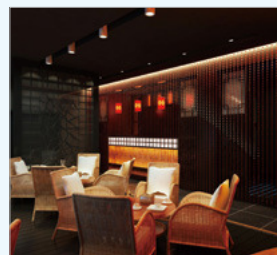
- 2-Megapixel CMOS Sensor
- 30 fps @ 1920x1080
- 2.8 ~ 12 mm Vari-focal, P-iris Lens, Remote Focus (FD8167-T)
- Removable IR-cut Filter for Day & Night Function
- Built-in IR Illuminators, Effective up to 30 Meters
- Real-time H.264, and MJPEG Compression
- Two-way Audio
- WDR Enhancement for Unparalleled Visibility in Extremely Bright and Dark Environments
- Smart IR Technology to Avoid Overexposure
- 3D Noise Reduction
- PIR
- Support Installation with AM-712 Conduit Box
- SNV (Supreme Night Visibility)



VIVOTEK SNV Camera - Show you true colors at night



Ordinary Camera



Low Light



Office



Retail



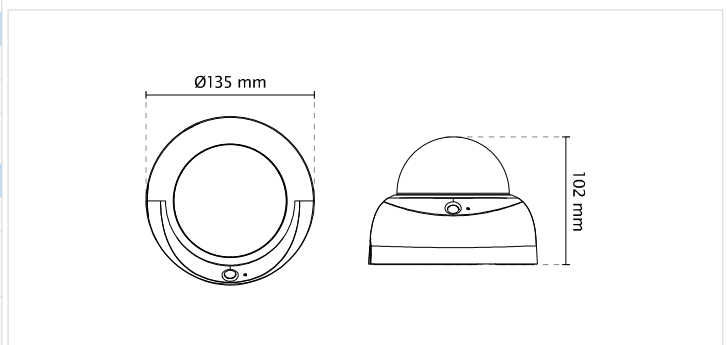
Warehouse

Technical Specifications

Models	FD8167 FD8167-T
System Information	
CPU	Multimedia SoC (System-on-Chip)
Flash	128MB
RAM	256MB
Camera Features	
Image Sensor	1/2.8" Progressive CMOS
Maximum Resolution	1920x1080 (2MP)
Lens Type	Vari-focal
Focal Length	f = 2.8 ~ 12 mm
Aperture	F1.8 ~ F2.85
Auto-iris	P-Iris
Field of View	FD8167 35° ~ 99° (Horizontal) 20° ~ 54° (Vertical) 41° ~ 123° (Diagonal) FD8167-T 45° ~ 101° (Horizontal) 25° ~ 55° (Vertical) 52° ~ 125° (Diagonal)
Shutter Time	1/5 sec. to 1/32,000 sec.
WDR Technology	WDR Enhanced
Day/Night	Removable IR-cut filter for day & night function
Minimum Illumination	0.06 Lux @ F1.8 (Color) 0.001 Lux @ F1.8 (B/W)
Pan/tilt/zoom Functionalities	ePTZ: 48x digital zoom (4x on IE plug-in, 12x built in)
IR Illuminators	Built-in IR illuminators, effective up to 30 meters with Smart IR IR LED*6
On-board Storage	MicroSD/SDHC/SDXC card slot
Video	
Compression	H.264 & MJPEG
Maximum Frame Rate	30 fps @ 1920x1080 In both compression modes
Maximum Streams	3 simultaneous streams
S/N Ratio	Above 62 dB
Dynamic Range	60.37 dB
Video Streaming	Adjustable resolution, quality and bitrate
Image Settings	Adjustable image size, quality and bit rate, Time stamp, text overlay, flip & mirror, Configurable brightness, contrast, saturation, sharpness, white balance, exposure control, gain, backlight compensation, privacy masks, Scheduled profile settings, Seamless recording, smart stream, 3D Noise Reduction
Audio	
Audio Capability	Audio input /output (full duplex)
Compression	G.711, G.726
Interface	Internal microphone input External line output
Network	
Users	Live viewing for up to 10 clients
Protocols	IPv4, IPv6, TCP/IP, HTTP, HTTPS, UPnP, RTP/RTSP/RTCP, IGMP, SMTP, FTP, DHCP, NTP, DNS, DDNS, PPPoE, CoS, QoS, SNMP, 802.1X, UDP, ICMP
Interface	10Base-T/100 BaseTX Ethernet (RJ-45)

ONVIF	Supported, specification available at www.onvif.org
Intelligent Video	
Video Motion Detection	Triple-window video motion detection
Alarm and Event	
Alarm Triggers	Video motion detection, manual trigger, digital input, periodical trigger, system boot, recording notification, camera tampering detection, audio detection
Alarm Events	Event notification using digital output, HTTP, SMTP, FTP and NAS server, SD Card File upload via HTTP, SMTP, FTP, NAS server and SD card
General	
Smart Focus System	Manual focus Remote Focus (FD8167-T)
Connectors	RJ-45 cable connector for Network/PoE connection Audio input Audio output DC 12V power input Digital input*1 Digital output*1
LED Indicator	System power and status indicator
Power Input	DC 12V IEEE 802.3af PoE Class 3
Power Consumption	FD8167 Max: 8.6 W (DC12V) Max: 9.7 W (PoE) FD8167-T Max: 11 W (DC12V) Max: 11.6 W (PoE)
Dimensions	Ø: 135 x 102 mm
Weight	Net: 512 g
Safety Certifications	CE, LVD, FCC Class B, VCCI, C-Tick, UL
Operating Temperature	Starting Temperature: -10°C ~ 50°C (14°F ~ 122°F) Working Temperature: -20°C ~ 50°C (-4°F ~ 122°F)
Warranty	36 months
System Requirements	
Operating System	Microsoft Windows 7/8/Vista/XP/2000
Web Browser	Mozilla Firefox 7~10 (Streaming only) Internet Explorer 7.x, 8.x, 9.x, 10.x
Other Players	VLC: 1.1.11 or above Quicktime: 7 or above
Included Accessories	
CD	User's manual, quick installation guide, Installation Wizard 2, ST7501 32-channel recording software
Others	Quick installation guide, warranty card, alignment sticker/ desiccant bag, screw pack

Dimensions



Compatible Accessories

Mounting Kits



AM-215
L Shape Bracket



AM-712
Conduit Box



AM-517
Adaptor Ring



AM-520
Mounting Adapter

All specifications are subject to change without notice. Copyright © VIVOTEK INC. All rights reserved.

Distributed by:



VIVOTEK INC.
6F, No.192, Lien-Cheng Rd., Chung-Ho,

VIVOTEK USA
2050 Ringwood Avenue,

VIVOTEK Europe
Randstad 22-133, 1316BW Almere,

Ver. 5

