



FD9171-HT

Fixed Dome Network Camera

H.265 Compression • Smart Stream II • Bandwidth Saving • WDR Pro • SNV • PIR • P-iris • 30M IR

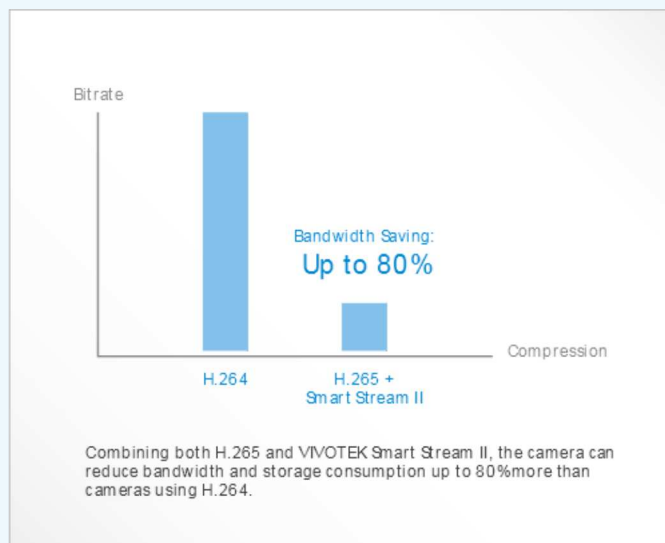
VIVOTEK's FD9171-HT is a brand-new professional H.265 high-efficiency indoor dome network camera, offering 30 fps @ 3-Megapixels with outstanding image quality. Employing H.265 technology enables the camera to provide higher and more efficient image compression rates than previous H.264 systems. In addition, VIVOTEK's sophisticated Smart Stream II enables the camera to optimize resolution for a desired object or area and therefore to maximize efficiency of bandwidth usage. Combining H.265 and Smart Stream II, the FD9171-HT can reduce both bandwidth and storage consumption up to 80% while producing image quality of the high standard.

To meet the demands of indoor applications, VIVOTEK's FD9171-HT features a built-in PIR sensor to help detect any unexpected events and to provide real-time responses .

* Depending on scenes

Key Features

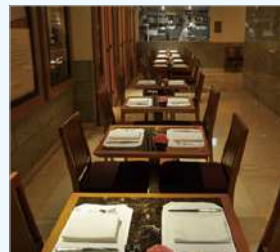
- H.265 Compression Technology
- 1/2.8" Progressive CMOS Sensor
- 30 fps @ 2048x1536
- Smart Stream II to Optimize Bandwidth Efficiency
- WDR Pro for Unparalleled Visibility in High Contrast Environments
- Built-in IR Illuminators, Effective up to 30 Meters
- Remote Focus for Easy Focus Adjustments
- SNV (Supreme Night Visibility) for Low Light Conditions
- PIR
- Video Rotation for Corridor View
- P-iris Lens



Banking



Hotel

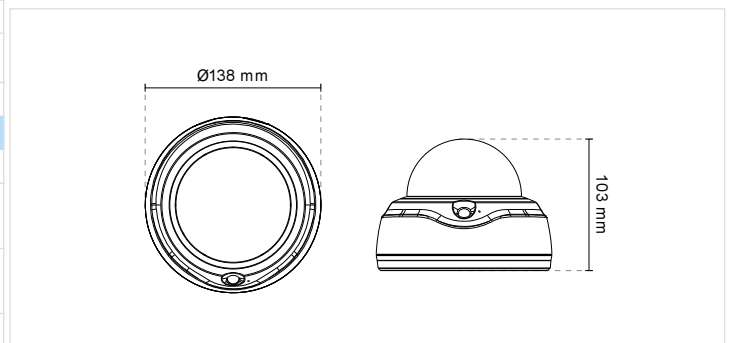


Technical Specifications

| | |
|--|--|
| Model | FD9171-HT |
| System Information | |
| CPU | Multimedia SoC (System-on-Chip) |
| Flash | 128MB |
| RAM | 512MB |
| Camera Features | |
| Image Sensor | 1/2.8" Progressive CMOS |
| Maximum Resolution | 2048x1536 (3MP) |
| Lens Type | Vari-Focal |
| Focal Length | f=3~9 mm |
| Aperture | F1.2~F2.3 |
| Auto-iris | P-Iris |
| Field of View | 41° ~ 86° (Horizontal) 31° ~ 64° (Vertical) 51° ~ 113 (Diagonal) |
| Shutter Time | 1/5 sec. to 1/16000 sec. |
| WDR Technology | WDR Pro |
| Day/ Night | Removable IR-cut filter for day & night function |
| Minimum Illumination | 0.01 Lux @F1.2 (Color) 0.001 Lux @F1.2 (B/W) |
| Pan/ Tilt/ Zoom Functionalities | ePTZ: 48x digital zoom (4x on IEplug-in, 12x built in) |
| IR Illuminators | 30 meters |
| On-board Storage | Slot type: MicroSD/ SDHC/ SDXC card slot Seamless Recording |
| Video | |
| Compression | H.265 & H.264 & M.PEG |
| Maximum Frame Rate | 30fps @ 2048x1536 30fps @ 1920x1080 In all compression modes |
| Maximum Streams | 3 simultaneous streams |
| S/N Ratio | 60 dB |
| Dynamic Range | 100 dB |
| Video Streaming | Adjustable resolution, quality and bitrate Smart Stream II |
| Image Settings | Time stamp, text overlay, flip & mirror Configurable brightness, contrast, saturation, sharpness, white balance, exposure control, gain, backlight compensation, privacy masks Scheduled profile settings, 3DNR, video rotation, defog |
| Audio | |
| Audio Capability | Two-Way Audio (full duplex) |
| Compression | G711, G726 |
| Interface | Internal microphone input Audio output |
| Effective Range | 5m |
| Network | |
| Users | Live viewing for up to 10 clients |
| Protocols | IPv4, IPv6, TCP/IP, HTTP, HTTPS, UPnP, RTSP, RTP, RTCP, IGMP, SMTP, FTP, DHCP, NTP, DNS, DDNS, PPPoE, CoS, QoS, SNMP, 802.1X, UDP, ICMP, ARP, SSL, TLS |
| Interface | 10 Base-T/ 100 Base-TX Ethernet (RJ45) *It is highly recommended to use standard CAT5e & CAT6 cables which are compliant with the 3P ETL standard |
| ONVIF | Supported, specifications available at www.onvif.org |

| | |
|-------------------------------|---|
| Intelligent Video | |
| Video Motion Detection | Five-window video motion detection |
| VCA* | Line crossing detection, field detection, loitering detection |
| Alarm and Event | |
| Alarm Triggers | Video motion detection, manual trigger, digital input, periodical trigger, system boot, recording notification, camera tampering detection, audio detection |
| Alarm Events | Event notification using digital output, HTTP, SMTP, FTP and NAS server, SD Card File upload via HTTP, SMTP, FTP, NAS server and SD card |
| General | |
| Smart Focus System | Remote Focus |
| Connectors | RJ45 cable connector for Network/ PoE connection Audio input Audio output DC 12V power input Digital input*1 Digital output*1 |
| LED Indicator | System power and status indicator |
| Power Input | 12V DC IEEE 802.3at PoE |
| Power Consumption | Max. 9.6 W(DC 12V) Max. 12 W(PoE) |
| Dimensions | Ø 138 x 103 mm |
| Weight | 530 g |
| Safety Certifications | CE, LVD, FCC Class B, VCCI, C-Tick, UL |
| Operating Temperature | Starting Temperature: -10°C ~ 50°C (14°F ~ 122°F) Working Temperature: -20°C ~ 50°C (-4°F ~ 122°F) |
| Humidity | 90% |
| Warranty | 36 months |
| System Requirements | |
| Operating System | Microsoft Windows 8/ 7/ Vista/ XP/ 2000 |
| Web Browser | Mozilla Firefox 7~10 (streaming only) Internet Explorer 7/ 8/ 9/ 10/ 11 |
| Other Players | VLC: 1.1.11 or above Quicktime: 7 or above |
| Included Accessories | |
| CD | User's manual, quick installation guide, Installation Wizard 2, ST7501 32-channel recording software |
| Others | Quick installation guide, mounting bracket, screw pack, alignment sticker |

Dimensions



* Available per project request.

Compatible Accessories

Mounting Kits



AM-215 (v02)
L Shape Bracket



AM-51C (v01)
Adapter Ring



AM-527 (v01)
Mounting Adapter



AM-712
Conduit Box

PoE Kits



AP-FXC-0201
PoE Extender with
Conduit Box

All specifications are subject to change without notice. Copyright © VIVOTEK INC. All rights reserved.

