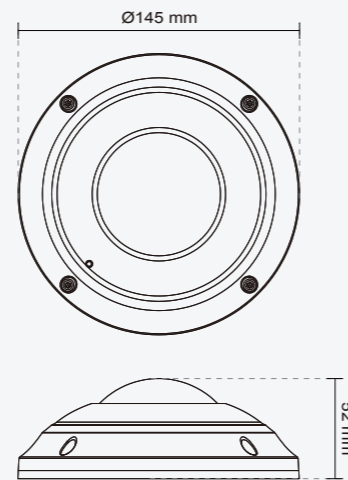


Technical Specifications

Lens <ul style="list-style-type: none"> Board lens, Fixed, f = 1.27 mm, F2.8 Removable IR-cut filter for day & night function 	Security <ul style="list-style-type: none"> Multi-level user access with password protection IP address filtering HTTPS encrypted data transmission 802.1X port-based authentication for network protection
Field of View <ul style="list-style-type: none"> 180° 	Users <ul style="list-style-type: none"> Live viewing for up to 10 clients
Shutter Time <ul style="list-style-type: none"> 1/5 sec to 1/32,000 sec. 	Weight <ul style="list-style-type: none"> Net: 566 g
Image Sensor <ul style="list-style-type: none"> 1/2" CMOS sensor in 2048 x 1536 resolution 	LED Indicator <ul style="list-style-type: none"> System power and status indicator System activity and network link indicator
Minimum Illumination <ul style="list-style-type: none"> 1.17 Lux @ F2.8 (Color) 0.2 Lux @ F2.8 (B/W) 	Power <ul style="list-style-type: none"> 12V DC Power consumption: Max. 3.84 W 802.3af compliant Power-over-Ethernet (Class 2)
Video <ul style="list-style-type: none"> Compression: H.264, MJPEG & MPEG-4 Streaming: <ul style="list-style-type: none"> Multiple simultaneous streams H.264 streaming over UDP, TCP, HTTP or HTTPS MPEG-4 streaming over UDP, TCP, HTTP or HTTPS H.264/MPEG-4 multicast streaming MJPEG streaming over HTTP or HTTPS Supports activity adaptive streaming for dynamic frame rate control Supports ePTZ for data efficiency Supports 3GPP mobile surveillance Frame rates: <ul style="list-style-type: none"> H.264: <ul style="list-style-type: none"> Up to 15 fps at 1536x1536 MPEG-4: <ul style="list-style-type: none"> Up to 15 fps at 1536x1536 MJPEG: <ul style="list-style-type: none"> Up to 15 fps at 1536x1536 	Housing <ul style="list-style-type: none"> Vandal-proof IK10-rated metal housing Weather-proof IP66-rated housing
Image Settings <ul style="list-style-type: none"> Adjustable image size, quality and bit rate Time stamp and text caption overlay Flip & mirror Configurable brightness, contrast, saturation, sharpness, white balance and exposure AGC, AWB, AES WDR enhanced Automatic, manual or scheduled day/night mode BLC (Backlight Compensation) Supports privacy masks 	Approvals <ul style="list-style-type: none"> CE, LVD, FCC, VCCI, C-Tick EN50155
Audio <ul style="list-style-type: none"> Compression: <ul style="list-style-type: none"> GSM-AMR speech encoding, bit rate: 4.75 kbps to 12.2 kbps MPEG-4 AAC audio encoding, bit rate: 16 kbps to 128 kbps G.711 audio encoding, bit rate: 64 kbps, μ-Law or A-Law mode selectable. Interface: <ul style="list-style-type: none"> Built-in microphone External microphone input Audio output Supports two-way audio Supports audio mute 	Operating Environments <ul style="list-style-type: none"> Temperature: -25°C ~ 50°C (-13°F ~ 122°F) Humidity: 90% RH
Networking <ul style="list-style-type: none"> 10/100/1000 Mbps Gigabit Ethernet, RJ-45 Onvif support Protocols: <ul style="list-style-type: none"> IPv4, IPv6, TCP/IP, HTTP, HTTPS, UPnP, RTSP/RTP/RTCP, IGMP, SMTP, FTP, DHCP, NTP, DNS, DDNS, PPPoE, CoS, QoS, SNMP, and 802.1X 	Viewing System Requirements <ul style="list-style-type: none"> OS: Microsoft Windows 7/Vista/XP/2000 Browser: Mozilla Firefox, Internet Explorer 7.x or above Cell phone: 3GPP player Real Player: 10.5 or above Quick Time: 6.5 or above
Alarm and Event Management <ul style="list-style-type: none"> Quintuple window video motion detection Tamper detection One D/I and one D/O for external sensor and alarm Event notification using HTTP, SMTP or FTP Local recording of MP4 file 	Installation, Management, and Maintenance <ul style="list-style-type: none"> Installation Wizard 2 32-CH ST7501 recording software Supports firmware upgrade
On-board Storage <ul style="list-style-type: none"> MicroSD/SDHC/SDXC card slot Stores snapshots and video clips 	Applications <ul style="list-style-type: none"> SDK available for application development and system integration
	Warranty <ul style="list-style-type: none"> 36 months
	Dimensions <ul style="list-style-type: none"> Camera: \varnothing145 mm (D) x 52 mm (H)



All specifications are subject to change without notice. Copyright © 2012 VIVOTEK INC. All rights reserved. P/N: 971005001

SUPREME
A NEW DEFINITION OF HD



Fisheye Network Camera FE8171V

3.1MP • 360° Surround View • Vandal-proof



VIVOTEK FE8171V is the first fisheye fixed dome network camera from VIVOTEK, featuring detailed 3.1MP-resolution sensor with superb image quality. Equipped with a fisheye lens for 180° panoramic view (wall mount) or 360° surround view (ceiling/floor/table mount) without blind spots, this camera is able to provide an 8X wider field of view than a standard VGA camera. It is extremely suitable for monitoring open areas such as airports, shopping malls, parking lots, retail stores, offices and more.

The FE8171V offers various display layouts, including original surround view, panoramic view, and regional view for various mounting applications. With the latest cutting-edge image processing capability, hemispherical images captured from the fisheye camera can be converted into conventional rectilinear projection for viewing and analysis. In addition, in both of the panoramic as well as regional viewing modes, users can utilize the ultra-smooth ePTZ function to easily zoom in and focus on a region of interest (ROI).

As with all VIVOTEK true day/night cameras, the FE8171V features a removable IR-cut filter, maintaining clear images 24 hours a day. Its IP66-rated housing is designed to help the camera body withstand rain and dust and ensures operation under a multitude of harsh weather conditions. Additionally, the vandal-proof IK10-rated housing effectively provides robust protection from vandalism. Together with 802.3af compliant PoE, microSD/SDHC/SDXC card slot for on-board storage, EN50155 mobile surveillance and iPad applications, the FE8171V is indisputably the top choice for constructing a robust surveillance system with the greatest coverage possible.



VIVOTEK INC.
6F, No.192, Lien-Cheng Rd., Chung-Ho, New Taipei City, 235, Taiwan, R.O.C.
| T: +886-2-82455282 | F: +886-2-8245532 | E: sales@vivotek.com

VIVOTEK USA, INC.
2050 Ringwood Avenue, San Jose, CA 95131
| T: 408-773-8686 | F: 408-773-8298 | E: salesusa@vivotek.com

Ver 1.3



Comprehensive Overview without Blind Spots

With a wide-angle field of view, the FE8171V is able to capture 180° panoramic or 360° surround views without blind spots, effectively reducing the need for other cameras as well as physical maintenance.

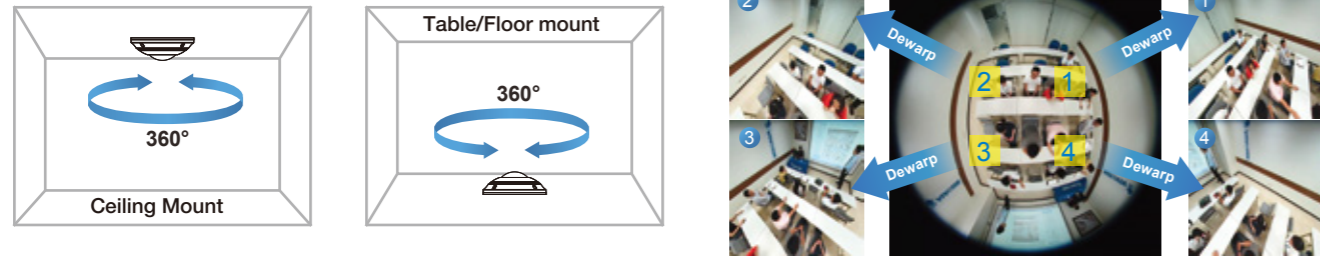
• 180° Panoramic View

The FE8171V can provide an overview of the region from wall to wall.



• 360° Surround View

When mounted on the ceiling, the FE8171V can monitor all four corners of a room. Any moving object in the room will be captured at all times. The viewer would be able to keep a track of suspicious objects without missing critical information.



Dewarp

Optical distortion is unavoidable for ultra wide-angle and fisheye lenses. The hemispherical images captured from the fisheye camera are convex, especially the image borders; however, software allows the image to be dewarped and remapped into conventional rectilinear projection using an integrated plug-in for specific viewing and analysis.

Image Capture with Greater Data Efficiency

• Flexible Display Mode

The overview image captured by the FE8171V can be tailored in various ways according to specific applications.

The FE8171V offers multiple types of display layouts in the web browser interface, including 1O, 1O3R, 1O8R, 1P, 2P, 1P2R, 1P3R, 1R, 4R and 4R PRO. The following diagrams show several of the display modes:



O – Original Surround View • P – Panoramic View • R – Regional View

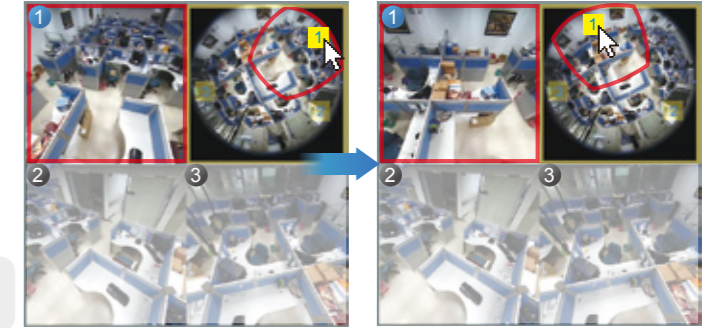
The "1O" refers to the original image without processing. For legal purposes, keeping the raw data can be very important and necessary for forensic experts to conduct analysis during the examination process.

• ePTZ

The FE8171V provides electronic pan/tilt/zoom functions, allowing users to move to a target region in the viewing window without a mechanical movement. In a "panoramic view" and a "regional view", users can utilize the ultra-smooth ePTZ function to easily focus on a region of interest (ROI) using the mouse wheel.

Compared to the conventional mechanical PTZ, the ePTZ feature offers zero-wait operation through client-side control. In addition, with a high-end dewarping algorithm (plug-in), the ePTZ on the FE8171V responds swiftly and seamlessly to user's control.

In 4R PRO mode, the four viewing windows will rotate synchronously while clicking or dragging one of the windows.

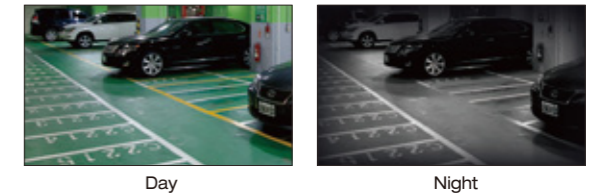


ePTZ in 1O3R Mode

Enhanced Security

• Clear Images 24/7

The FE8171V deliver day & night functionality with a built-in removable IR-cut filter. By day, the IR-cut filter screens out infrared light to reduce color distortion. At night, the filter is removed to accept infrared light for higher lighting efficiency.



• Vandal-proof IK10-rated Housing

Equipped with a protective housing, the FE8171V is protected from vandalism, making it suitable for high-risk environments. The metal base and polycarbonate cover enable the FE8171V to withstand high impacts, thereby ensuring functional operation at all times.



Reliability in Demanding Environments

• EN50155 Compliance

With resistance to an extended temperature range of -25° C to 50° C, the FE8171V is compliant with the EN50155 standard for electronic equipments operating in railway vehicles. It also meets the EN50155's shock and vibration requirements to provide high reliability and rugged performance during movement.



• IP66-rated Housing

The weather-proof IP66-rated housing provides protection from dust and moisture, allowing the FE8171V to operate in the outdoor setting under a multitude of weather conditions.



Product Features

FE8171V Fisheye Network Camera

3.1MP • 360° Surround View • Vandal-proof

- 3.1-Megapixel CMOS Sensor
- 1.27 mm Fisheye Lens for 180° Panoramic View and 360° Surround View
- Removable IR-cut Filter for Day and Night Function
- EN50155 Compliance for Professional Mobile Surveillance
- Real-time H.264, MPEG-4 and MJPEG Compression (Triple Codec)
- WDR Enhancement for Unparalleled Visibility in Extremely Bright or Dark Environments
- Vandal-proof IK10-rated and Weather-proof IP66-rated Housing
- ePTZ for Data Efficiency
- Built-in 802.3af Compliant PoE
- Built-in MicroSD/SDHC/SDXC Card Slot for On-board Storage

