

FE8191 FE8391-V

Fisheye Network Camera



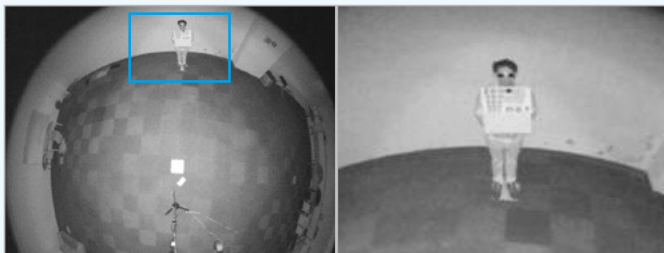
12MP CMOS Sensor • Ultra Megapixel • 360° Surround View •
360°10 Meter IR • Smart IR • 3DNR • IP66 • IK10 • Pxl Calculator • PPTZ

VIVOTEK FE8191/ FE8391-V are the latest Ultra-Megapixel fisheye fixed dome network cameras from VIVOTEK, featuring a detailed 12-Megapixel resolution sensor with superb image quality. Equipped with a fisheye lens for 180°panoramic view (wall mount) or 360°surround view (ceiling/ wall/ floor mount) without blind spots, the camera is able to provide coverage of wide, open areas, such as airports, shopping malls, parking lots, retail stores, offices and more.

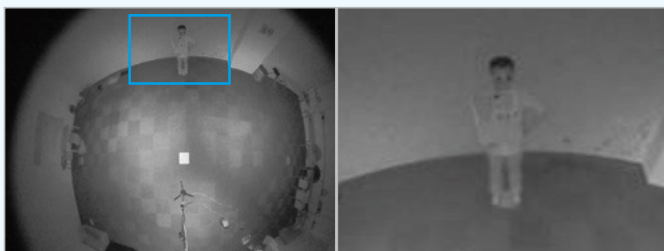
The FE8191/ FE8391-V cameras feature a removable IR-cut filter, maintaining clear images 24 hours a day. The built-in IR LEDs in FE8391-V enable the camera to provide uniformly 360°surround illumination for clear viewing up to 10 meters, even in completely dark environments.

Key Features

- 12-Megapixel CMOS Sensor
- 12 fps @ 2944x2944
- 1.5 mm Fisheye Lens for 180°Panoramic View and 360°Surround View
- Removable IR-cut Filter for Day & Night Function
- Real-time H.264 and M.JPEG Compression
- WDR Enhancement for Unparalleled Visibility in Extremely Bright and Dark Environments
- Vandal-proof IK10-rated and Weather-proof IP66-rated Housing (FE8391-V)
- 3D Noise Reduction for Low-light Conditions
- ePTZ for Data Efficiency
- 802.3at PoE Compliant
- Built-in MicroSD/ SDHC/ SDXC Card Slot for On-board Storage
- Pxl Calculator for Image Clarity Measurement
- Support Local Dewarping
- 360°10 Meter IR (FE8391-V)
- Panoramic PTZ Function with Speed Dome



IR with Good Uniformity



IR with Bad Uniformity



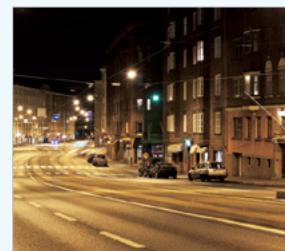
Lobby



Shopping Mall



Airport



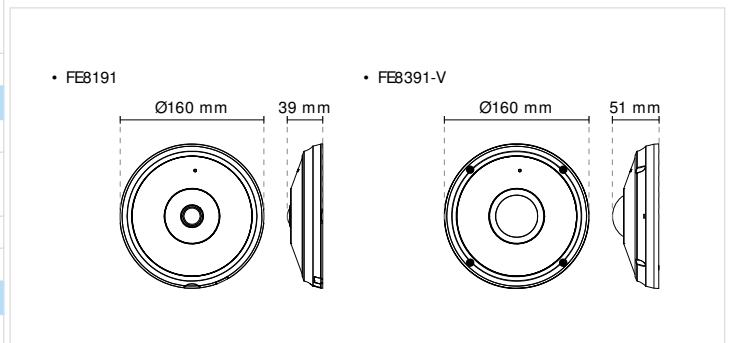
Low Light

Technical Specifications

Models	FEB191 FEB391-V
System Information	
CPU	Multimedia SoC (System-on-Chip)
Flash	256 MB
RAM	1GB
Camera Features	
Image Sensor	1/2.3" Progressive CMOS in 4072x3046
Maximum Resolution	2944x2944
Lens Type	Fixed-focal
Focal Length	F=1.5 mm
Aperture	F2.8
Field of View	180°(horizontal) 180°(vertical) 180°(diagonal)
Shutter Time	1/5 sec. to 1/8,000 sec.
WDR Technology	WDR Enhanced
Day/Night	Removable IR-cut filter for day & night function
Minimum Illumination	0.75 Lux, 30 IRE (Color) <0.01 Lux, 30 IRE (BW)
Preset Locations	20
Pan/tilt/zoom Functionalities	ePTZ: 12x digital zoom
IR Illuminators	Built-in IR illuminators, effective up to 10 meters with Smart IR (FEB391-V) IR LED*6 (FEB391-V)
On-board Storage	MicroSD/SDHC/SDXC card slot
Video	
Compression	H.264, MJPEG
Maximum Frame Rate	12 fps @ 2944x2944
Maximum Streams	4 Simultaneous Streams
S/N Ratio	56dB
Dynamic Range	60dB
Video Streaming	Adjustable resolution, quality and bitrate Configurable video cropping for bandwidth saving
Image Settings	Time stamp, text overlay, flip & mirror, scheduled profile settings, configurable brightness/contrast/saturation/sharpness, pixel calculator, 3D-Noise reduction, 2D-Noise reduction, white balance, exposure control, gain, backlight compensation, privacy masks
Audio	
Audio Capability	Audio input/output (full duplex)
Compression	AAC, G.711, G.726
Interface	Built-in Microphone External Microphone input External Line output
Effective Range	5 meters
Network	
Users	Live viewing for up to 10 clients
Protocols	IPv4, IPv6, TCP/IP, HTTP, HTTPS, UPnP, RTSP, RTP, RTCP, IGMP, SMTP, FTP, DHCP, NTP, DNS, DDNS, PPPoE, CoS, QoS, SNMP, 802.1X
Interface	10Base-T/100 BaseTX Ethernet (RJ45)
ONVIF	Supported, specification available at www.onvif.org
Intelligent Video	
Video Motion Detection	5 window video motion detection

Alarm and Event	
Alarm Triggers	Motion detection, manual trigger, digital input, periodical trigger, system boot, recording notification, camera tampering detection, audio detection
Alarm Events	Event notification using digital output, HTTP, SMTP, FTP and NAS server
General	
Connectors	RJ45 for Network/ PoE connection Audio input *1 Audio output *1 DC 12V Power input Digital input *1 Digital output *1
LED Indicator	System power and status indicator
Power Input	12V DC IEEE 802.3at PoE Class 4
Power Consumption	FEB191: DC12V 11.2W POE 12.3W FEB391-V: DC12V 21.7W POE 23.4W
Dimensions	FEB191: Ø: 160 x 39.4 mm FEB391-V: Ø: 160 x 51.2 mm
Weight	FEB191: 597 g FEB391-V: 805 g
Casing	Weather-proof IP66-rated housing (FEB391-V) Vandal-proof IK10-rated metal housing (FEB391-V)
Safety Certifications	FEB191: CE, LVD, VCCI, C-Tick, UL, FCC Class B FEB391-V: CE, LVD, VCCI, C-Tick, UL, FCC Class A
Operating Temperature	FEB191: Starting Temperature: 0°C ~ 50°C (32°F ~ 122°F) Working Temperature: -10°C ~ 50°C (14°F ~ 122°F) FEB391-V: Starting Temperature: -25°C ~ 50°C (-13°F ~ 122°F) Working Temperature: -40°C ~ 50°C (-40°F ~ 122°F)
Warranty	36 months
System Requirements	
Operating System	Microsoft Windows 7/ Vista/ XP/ 2000/ 8
Web Browser	Mozilla Firefox: 7 or above (streaming only) Chrome: 17 or above (streaming only) Safari: 5.1.4 or above (streaming only) Internet Explorer 7.x, 8.x, 9.x, 10, 11
Other Players	VLC: 1.1.11 or above QuickTime: 7 or above
Included Accessories	
CD	User's manual, quick installation guide, Installation Wizard 2, ST7501 32-channel, VAST CMS (90-day free trial version), Calibration Tool
Others	Quick installation guide, warranty card, alignment sticker, waterproof connector, desiccant bag, RJ45 coupler, software CD, Cable management bracket (FEB391-V)

Dimensions



Compatible Accessories

Mounting Kits



AM-51A/AM-520
Dome adapter



AM-116/AM-117
Pendant pipe



AM-114/AM-118
Pendant head



AM-517
Adapter Ring

All specifications are subject to change without notice. Copyright © VIVOTEK INC. All rights reserved.

Ver. 11

