



# IB8369A

Bullet Network Camera



2MP • 30M IR • IP66 • IK10 • Smart Stream II • SNV • Defog

VIVOTEK's IB8369A is an all-in-one bullet-style network camera designed for diverse outdoor applications. Equipped with a 2MP sensor enabling viewing resolution of 1920x1080 at a smooth 30 fps, the IB8369A is an ideal and highly adaptable outdoor camera capable of capturing high quality video at high resolutions of up to 2 Megapixel.

The IB8369A features VIVOTEK's sophisticated Smart Stream II technology, allowing the camera to optimize image quality for the most important regions in any scene, and thus ensuring maximum efficiency of bandwidth usage and savings of up to 50% on bandwidth and storage requirements. In order to adapt to constantly changing outdoor lighting conditions, the IB8369A also features a removable IR-cut filter as well as IR illuminators effective up to 30M for superior image quality around the clock. For protection against harsh outdoor environments, the camera is encased in a weather-proof IP66-rated housing, making it impervious to rain and dust. The robustness of the IB8369A is further strengthened by the adoption of rugged IK10 design housing.

Incorporating a number of advanced features standard for VIVOTEK cameras, including video rotation, defog, a dedicated MicroSD/SDHC/SDXC card slot, and VIVOTEK's 32-channel recording software, the IB8369A is the ideal solution for your outdoor surveillance needs.

## Key Features

- 2-Megapixel CMOS Sensor
- 30 fps @1920x1080
- Real-time H.264, MJPEG Compression (Dual Codec)
- Removable IR-cut Filter for Day & Night Function
- Built-in IR Illuminators, Effective up to 30 Meters
- Built-in 802.3af Compliant PoE
- Built-in MicroSD/SDHC/SDXC Card Slot for On-board Storage
- Supports ONVIF Standard to Simplify Integration and Enhance Interoperability
- Weather-proof IP66-rated and Vandal-proof IK10-rated Metal Housing
- Smart Stream II to Optimize Bandwidth Efficiency
- 3D Noise Reduction
- Smart IR Technology to Avoid Overexposure
- SNV (Supreme Night Visibility) for Low Light Conditions



Without Smart Stream II

With Smart Stream II



Parking Lot



Campus

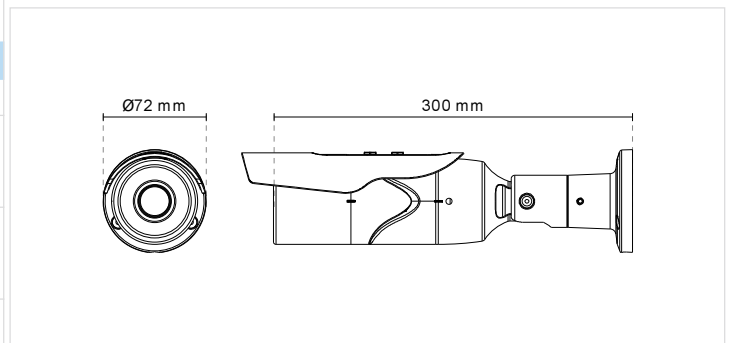


## Technical Specifications

Model	IB8369A
<b>System Information</b>	
CPU	Multimedia SoC (System-on-Chip)
Flash	128MB
RAM	256MB
<b>Camera Features</b>	
Image Sensor	1/2.9" Progressive CMOS
Maximum Resolution	1920x1080 (2MP)
Lens Type	Fixed-focal
Focal Length	f = 3.6 mm
Aperture	F2.1
Field of View	78° (Horizontal) 42° (Vertical) 84° (Diagonal)
Shutter Time	1/5 sec. to 1/32,000 sec.
WDR Technology	WDR Enhanced
Day/Night	Removable IR-cut filter for day & night function
Minimum Illumination	0.06 Lux @F2.1 (Color) 0.01 Lux @F2.1 (B/W)
Pan/ Tilt/ Zoom Functionalities	ePTZ: 48x digital zoom (4x on IEplug-in, 12x built-in)
IR Illuminators	Built-in IR illuminators, effective up to 30 meters with Smart IR IR LED*10
On-board Storage	MicroSD/ SDHC/ SDXC card slot Seamless Recording
<b>Video</b>	
Compression	H.264 & MJPEG
Maximum Frame Rate	30 fps @ 1920x1080 In both compression modes
Maximum Streams	4 simultaneous streams
S/N Ratio	65 dB
Dynamic Range	69.4 dB
Video Streaming	Adjustable resolution, quality and bitrate Smart Stream II
Image Settings	Time stamp, text overlay, flip & mirror Configurable brightness, contrast, saturation, sharpness, white balance, exposure control, gain, backlight compensation, privacy masks Scheduled profile settings, 3D noise reduction, video rotation, defog
<b>Network</b>	
Users	Live viewing for up to 10 clients
Protocols	IPv4, IPv6, TCP/IP, HTTP, HTTPS, UPnP, RTSP, RTP, RTPC, IGMP, SMTP, FTP, DHCP, NTP, DNS, DDNS, PPPoE, CoS, QoS, SNMP, 802.1X, UDP, ICMP, ARP, SSL, TLS
Interface	10 Base-T/ 100 Base-TX Ethernet (RJ45) *It is highly recommended to use standard CAT5e & CAT6 cables which are compliant with the 3P ETL standard.
ONVIF	Supported, specification available at <a href="http://www.onvif.org">www.onvif.org</a>

<b>Intelligent Video</b>	
Video Motion Detection	Five-window video motion detection
<b>Alarm and Event</b>	
Alarm Triggers	Motion detection, manual trigger, periodical trigger, system boot, recording notification, camera tampering detection
Alarm Events	Event notification using HTTP, SMTP, FTP and NAS server, SD Card File upload via HTTP, SMTP, FTP, NAS server and SD card
<b>General</b>	
Connectors	RJ45 for Network/ PoE connection
LED Indicator	System power and status indicator
Power Input	IEEE 802.3af PoE Class 0
Power Consumption	Max. 10 W
Dimensions	Ø: 72 mm x 300 mm
Weight	Net: 1010 g
Casing	Weather-proof IP66-rated housing Vandal-proof IK10-rated metal housing
Safety Certifications	CE, LVD, FCC Class A, VCCI, C-Tick
Operating Temperature	Starting Temperature: -10°C ~ 50°C (14°F ~ 122°F) Working Temperature: -20°C ~ 50°C (-4°F ~ 122°F)
Humidity	90%
Warranty	24 months
<b>System Requirements</b>	
Operating System	Microsoft Windows 8/ 7/ Vista/ XP 2000
Web Browser	Mozilla Firefox 7~43 (streaming only) Internet Explorer 7/8/9/10/11
Other Players	VLC: 1.1.11 or above QuickTime: 7 or above
<b>Included Accessories</b>	
CD	User's manual, quick installation guide, Installation Wizard 2, VAST 32-CH Software
Others	Quick installation guide, alignment sticker, cable management bracket, screw pack, sunshield

## Dimensions



## Compatible Accessories

### Mounting Kits



AM-523  
Adapting Plate

