



Cube Network Camera IP8130/31



1MP • Compact Size

VIVOTEK IP8130 is a compact cube camera designed for indoor surveillance. The elegant design makes it an ideal solution for offices, shops and homes. A built-in microphone further increases the level of surveillance by recording sound within a 5 meter radius. Moreover, the IP8131 is equipped with IR LEDs and provides clear video in completely dark environments.

The IP8130/31 supports the industry-standard H.264 compression technology, drastically reducing file sizes and conserving valuable network bandwidth. Together with the ST7501 multi-lingual 32-channel recording software, users can set up an easy-to-use IP surveillance system with ease. VIVOTEK also provides the smart phone application iViewer, both on iPhone and Android phones, enable users to monitor live video off-site.

Features

- 1-Megapixel CMOS Sensor
- Compact Design
- Real-time H.264 and MJPEG Compression (Dual Codec)
- 30 fps @ 1280x800
- Two-way Audio
- Removable IR-cut Filter for Day and Night Function (IP8131)
- Built-in IR Illuminators, Effective up to 6 Meters (IP8131)
- Built-in MicroSD/SDHC Card Slot for On-board Storage

Built-in Microphone



On-board Storage



Home



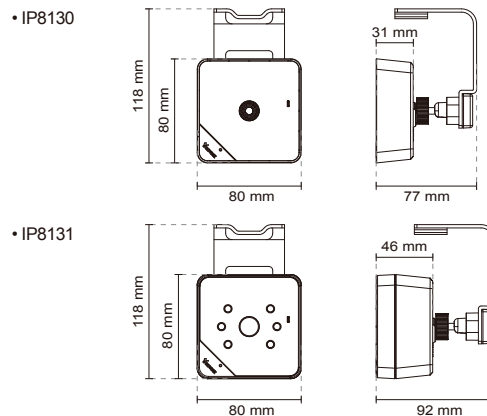
Office



Technical Specifications

Models	IP8130 IP8131 (Day/Night)	Alarm and Event
System Information		Alarm Triggers
CPU	Multimedia SoC (System-on-Chip)	Video motion detection, manual trigger, digital input, periodical trigger, system boot, recording notification, camera tampering detection
Flash	16 MB	Alarm Events
RAM	128 MB	Event notification using HTTP, SMTP, FTP and NAS server File upload via HTTP, SMTP, FTP and NAS server
Camera Features		General
Image Sensor	1/4" Progressive CMOS	Connectors
Maximum Resolution	1280x800	RJ-45 for Network connection Terminal block*2 for digital input Terminal block*2 for audio out DC-Jack for DC 12V power input
Lens Type	Fixed-focal	LED Indicator
Focal Length	f = 3.6 mm	System power and status indicator
Aperture	F1.8	Power Input
Field of View	61° (horizontal) 38° (Vertical) 73° (Diagonal)	12V DC
Shutter Time	1/5 sec. to 1/32,000 sec.	Power Consumption
Day/Night	Removable IR-cut filter for day & night function (IP8131)	Max. 1.8W (IP8130) Max. 3.0W (IP8131)
Minimum Illumination	0.45 Lux, 50 IRE (Color) 0.001 Lux, 50 IRE (B/W) (IP8131)	Dimensions
Pan/tilt/zoom	ePTZ:	31mm (D) x 80mm (W) x 80mm (H) (IP8130) 46mm (D) x 80mm (W) x 80mm (H) (IP8131)
Functionalities	16x digital zoom (4x on IE plug-in, 4x built-in)	Weight
IR Illuminators	Built-in IR illuminators, effective up to 6 meters IR LED*6 (IP8131)	83 g (IP8130) 123 g (IP8131)
On-board Storage	Micro SD/SDHC/SDXC card slot	Safety Certifications
Video		CE, LVD, FCC Class B, VCCI, C-Tick
Compression	H.264 & MJPEG	Operating Temperature
Maximum Frame Rate	H.264: 30 fps at 1280x800 MJPEG: 30 fps at 1280x800	0°C ~ 40°C
Maximum Streams	2 simultaneous streams	Warranty
S/N Ratio	Above 62 dB	24 months
Video Streaming	Adjustable resolution, quality and bitrate Configurable video cropping for bandwidth saving	System Requirements
Image Settings	Adjustable image size, quality and bit rate Time stamp, text overlay, flip & mirror Configurable brightness, contrast, saturation, sharpness, white balance, exposure control, gain, backlight compensation, privacy masks Scheduled profile settings	Operating System
Audio		Microsoft Windows 7/Vista/XP/2000
Audio Capability	Audio input/output (full duplex)	Web Browser
Compression	G.711	Mozilla Firefox 7~10 (streaming only) Internet Explorer 7.x or 8.x
Interface	Built-in Microphone External line output	Other Players
Effective Range	5 meters	VLC: 1.1.11 or above QuickTime: 7 or above
Network		Included Accessories
Users	Live viewing for up to 10 clients	CD
Protocols	IPv4, IPv6, TCP/IP, HTTP, HTTPS, UPnP, RTSP/RTMP/RTCP, IGMP, SMTP, FTP, DHCP, NTP, DNS, DDNS, PPPoE, CoS, QoS, SNMP, 802.1X	User's manual, quick installation guide, Installation Wizard 2, ST7501 32-channel recording software
Interface	10Base-T/100 BaseTX Ethernet (RJ-45)	Power Adapter
ONVIF	Supported, specification available at www.onvif.org	DC 12V, 1.5A
Intelligent Video		Others
Video Motion Detection	Triple-window video motion detection	Quick installation guide, warranty card, camera mounting kit, Ethernet cable

Dimensions



All specifications are subject to change without notice. Copyright © 2012 VIVOTEK INC. All rights reserved.

Distributed by:



VIVOTEK INC.

6F, No.192, Lien-Cheng Rd., Chung-Ho, New Taipei City, 235, Taiwan, R.O.C.
| T: +886-2-82455282 | F: +886-2-82455532 | E: sales@vivotek.com

VIVOTEK USA, INC.

2050 Ringwood Avenue, San Jose, CA 95131
| T: 408-773-8886 | F: 408-773-8298 | E: salesusa@vivotek.com

Ver 1.0