



Bullet Network Camera IP8371E



3MP • 30M IR • Smart Stream • Smart Focus System • IP67 • Cable Management

VIVOTEK IP8371E is a professional outdoor bullet network camera offering 30 fps @ 3-Megapixel or 60 fps @ 1080p resolution with superb image quality.

Featuring 3D Noise Reduction Technology, it enables the IP8371E to capture clear, polished video under low-light conditions, which also helps to reduce bandwidth from sensor noise.

The IP8371E also features Smart Stream Technology, which can be used to optimize resolution on a desired object or area to maximize bandwidth usage.

The IP8371E comes with a P-iris lens, which controls the iris with extreme precision with its built-in stepper motor. By using software controls, the lens maintains the iris opening at an optimal level at all times, resulting in superior sharpness and depth of field as well as image quality. For installers, properly adjusting the focus of a megapixel network camera can be difficult due to the image detail. Thus, VIVOTEK has introduced the Smart Focus System to make installation and adjustment easier by allowing for remote focus and zoom adjustment.

The IP67-rated housing is designed to help the camera body withstand rain and dust and ensures operation under a multitude of harsh weather conditions. Additionally, the wide temperature range further enhances the IP8371E's performance and reliability in extremely cold and warm weather.

Features

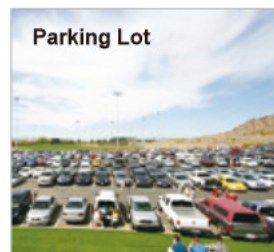
- 3-Megapixel CMOS Sensor
- 30 fps @ 2048x1536; 60 fps @ 1920x1080
- Motorized, P-iris Lens
- Removable IR-cut Filter for Day & Night Function
- Built-in IR Illuminators, Effective up to 30 Meters
- Supreme Night Visibility
- Smart Stream
- 3D Noise Reduction
- Real-time H.264, MPEG-4, and MJPEG Compression (Triple Codec)
- -50°C ~ 50°C Wide Temperature Range for Extreme Weather Conditions
- Smart Focus System for Remote and Precise Focus Adjustment
- Two-way Audio
- Weather-proof IP67-rated Housing
- Built-in 802.3af Compliant PoE
- Built-in SD/SDHC/SDXC Card Slot for On-board Storage
- Mounting Bracket with Cable Management for Protected Installation



Casino



Traffic Monitoring



Parking Lot

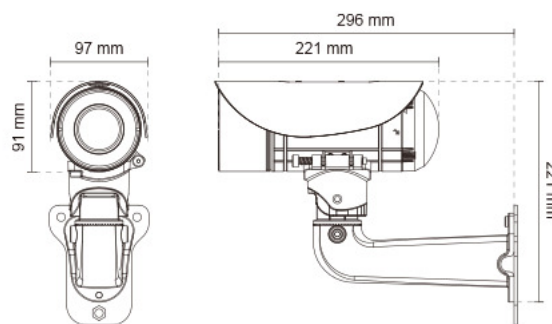


Train Station

Technical Specifications

System Information		Alarm and Event	
CPU	Multimedia SoC (System-on-Chip)	Alarm Triggers	Video motion detection, manual trigger, digital input, periodical trigger, system boot, recording notification, camera tampering detection
Flash	256 MB	Alarm Events	Event notification using HTTP, SMTP, FTP and NAS server File upload via HTTP, SMTP, FTP and NAS server
RAM	512 MB		
Camera Features		General	
Image Sensor	1/2.8" Progressive CMOS	Smart Focus System	Remote focus & easy focus
Maximum Resolution	2048x1536	Connectors	RJ-45 cable connector for Network/PoE connection Audio input Audio output AC 24V power input DC 12V power input Digital input*1 Digital output*1 Analog video output
Lens Type	Vari-focal, remote focus	LED Indicator	System power and status indicator
Focal Length	f = 3 ~ 9 mm	Power Input	DC 12V AC 24V IEEE 802.3af PoE Class 3
Aperture	F1.2 (wide) ~ F2.3 (tele)	Power Consumption	Max. 26 W (DC 12V) Max. 27 W (AC 24V) Max. 12.3 W (PoE)
Auto-Iris	P-Iris	Dimensions	Ø: 85 mm x 221 mm
Field of View	36° ~ 85° (horizontal) 27° ~ 62° (vertical) 44° ~ 107° (diagonal)	Weight	Net: 1,849g (with bracket)
Shutter Time	1/5 sec. to 1/8,000 sec.	Casing	Weather-proof IP67-rated housing
WDR Technology	WDR Enhanced	Safety Certifications	CE, LVD, FCC Class A, VCCI, C-Tick, UL
Day/Night	Removable IR-cut filter for day & night function	Operating Temperature	Starting Temperature: -40°C ~ 50°C (-40°F ~ 122°F) Working Temperature: -50°C ~ 50°C (-58°F ~ 122°F)
Minimum Illumination	0.02 Lux @ F1.2, 50 IRE (Color) 0.001 Lux @ F1.2, 50 IRE (B/W)	Warranty	24 months
Pan/tilt/zoom	ePTZ:	System Requirements	
Functionalities	48x digital zoom (4x on IE plug-in, 12x built-in)	Operating System	Microsoft Windows 7/Vista/XP/2000
IR Illuminators	Built-in IR illuminators, effective up to 30 meters IR LED*4	Web Browser	Mozilla Firefox 7~10 (Streaming only) Internet Explorer 7.x or 8.x
On-board Storage	SD/SDHC/SDXC card slot	Other Players	VLC: 1.1.11 or above QuickTime: 7 or above
Video		Included Accessories	
Compression	H.264, MJPEG & MPEG-4	CD	User's manual, quick installation guide, Installation Wizard 2, free ST7501 32-channel VMS
Maximum Frame Rate	H.264: 30 fps at 2048x1536 60 fps at 1920x1080 MPEG-4: 30 fps at 2048x1536 52 fps at 1920x1080 MJPEG: 30 fps at 2048x1536 60 fps at 1920x1080	Others	Quick installation guide, warranty card, sun shield, wall mount bracket, waterproof RJ45 Ethernet enclosure, alignment sticker, desiccant bag, waterproof connector
Maximum Streams	4 simultaneous streams		
S/N Ratio	Above 62 dB		
Dynamic Range	59 dB		
Video Streaming	Adjustable resolution, quality and bitrate		
Image Settings	Adjustable image size, quality and bit rate Time stamp, text overlay, flip & mirror Configurable brightness, contrast, saturation, sharpness, white balance, exposure control, gain, backlight compensation, privacy masks, Scheduled profile settings		
Audio			
Audio Capability	Audio input/output (full duplex)		
Compression	GSM-AMR, AAC, G.711		
Interface	External microphone input External line output		
Network			
Users	Live viewing for up to 10 clients		
Protocols	IPv4, IPv6, TCP/IP, HTTP, HTTPS, UPnP, RTSP/RTP/RTCP, IGMP, SMTP, FTP, DHCP, NTP, DNS, DDNS, PPPoE, CoS, QoS, SNMP, 802.1X		
Interface	10Base-T/100 BaseTX Ethernet (RJ-45)		
ONVIF	Supported, specification available at www.onvif.org		
Intelligent Video			
Video Motion Detection	Triple-window video motion detection		

Dimensions



Compatible Accessories

Mounting Kits



AM-311
Pole Mount Adaptor



AM-411
Corner Mount Adaptor

Power Adapter



AA-221
DC 12V Power Adapter

PoE Kits



POE-IJ-1748NDN
PoE injector, 802.3af compliant

All specifications are subject to change without notice. Copyright © 2013 VIVOTEK INC. All rights reserved.

Distributed by:



VIVOTEK INC.

6F, No.192, Lien-Cheng Rd., Chung-Ho, New Taipei City, 235, Taiwan, R.O.C.
T: +886-2-82455282 F: +886-2-82455532 E: sales@vivotek.com