

IP9171-HP

Fixed Network Camera



3MP • H.265 Compression • Smart Stream II • Bandwidth Saving • WDR Pro • SNV • GbE Port

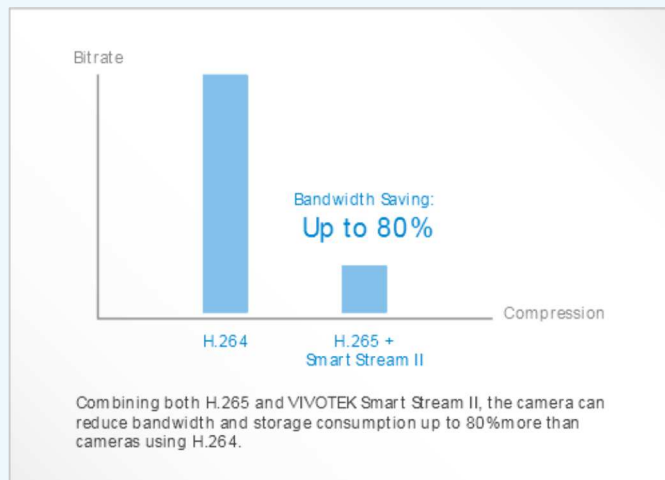
VIVOTEK's IP9171-HP is a brand-new professional H.265 box network camera offering up to 30 fps at 3-Megapixel with superb image quality. By utilizing VIVOTEK's sophisticated Smart Stream II, the camera is able to optimize resolution for a desired object or area and thus ensure maximum efficiency of bandwidth usage. Combining both H.265 and Smart Stream II, the IP9171-HP can reduce both bandwidth and storage consumption by up to 80% while maintaining the high standard of image quality. This unique combination of high resolution and low storage consumption make the IP9171-HP suitable for a wide range of video surveillance applications, including government and industrial buildings, retail environments, airports, railway stations and schools.

Additionally, employing WDR Pro allows the camera to capture both the dark and bright areas of an image, combining the differences to create a highly realistic representation of the original scene. Further improving the IP9171-HP's range of operating conditions, SNV technology makes high-quality full-color surveillance video possible under low-light conditions. Together, these features enable the camera to provide video quality strikingly close to the capabilities of the human eye. Further enhancing the camera's ability to adapt to its environment, precise software controls maintain the iris opening of the IP9171-HP's lens at an optimal level at all times, resulting in superior sharpness as well as depth of field. Finally, the IP9171-HP is also endowed with VIVOTEK's RBF (Remote Back Focus) System, empowering the installer to adjust focus both precisely and with greater flexibility.

* Depending on scenes

Key Features

- H.265 Compression Technology
- 30 fps @2048x1536
- P-Iris Lens
- Smart Stream II to Optimize Bandwidth Efficiency
- WDR Pro for Unparalleled Visibility in High Contrast Environments
- Remote Back Focus for Easy Focus Adjustments
- SNV (Supreme Night Visibility) for Low Light Conditions
- Video Rotation for Corridor View
- Lens Profile to Ensure the Full Compatibility for Different Lens Options
- Gigabit Ethernet for High Speed of Transmission
- Snapshot Focus



Lobby



Hotel

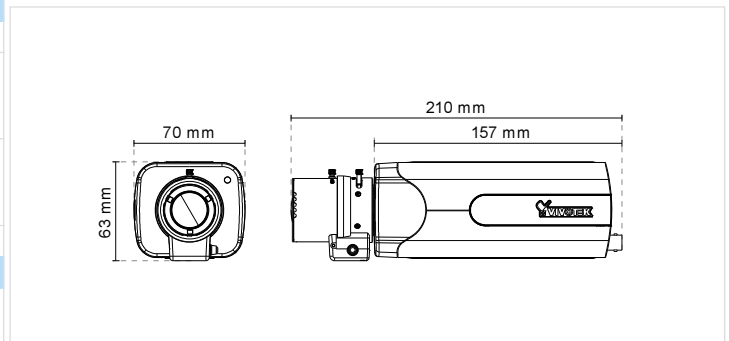


Technical Specifications

Model	IP9171-HP
System Information	
CPU	Multimedia SoC (System-on-Chip)
Flash	128MB
RAM	512MB
Camera Features	
Image Sensor	1/2.8" Progressive CMOS
Maximum Resolution	2048x1536 (3MP)
Lens Type	Vari-Focal
Focal Length	f= 2.8 ~ 8 mm
Aperture	F1.2 ~ F1.95
Auto-iris	P-Iris
Field of View	51°~114° (Horizontal) 39°~84° (Vertical) 63°~143° (Diagonal)
Shutter Time	1/5 sec. to 1/16,000 sec.
WDR Technology	WDR Pro
Day/Night	Removable IR-cut filter for day & night function
Minimum Illumination	0.01 Lux @F1.2 (Color) 0.001 Lux @F1.2 (B/W)
Pan/Tilt/Zoom Functionalities	ePTZ: 48x digital zoom (4x on IEplug-in, 12x built in)
On-board Storage	Slot Type: MicroSD/SDHC/SDXC card slot Seamless Recording
Video	
Compression	H.265 & H.264 & MJPEG
Maximum Frame Rate	30fps @2048x1536 30fps @1920x1080
Maximum Streams	3 simultaneous streams
S/N Ratio	60 dB
Dynamic Range	100 dB
Video Streaming	Adjustable resolution, quality and bitrate Smart Stream II
Image Settings	Time stamp, text overlay, flip & mirror Configurable brightness, contrast, saturation, sharpness, white balance, exposure control, gain, backlight compensation, privacy masks Scheduled profile settings, video rotation, 3DNR, defog, Snapshot Focus, Lens Profile
Audio	
Audio Capability	Two-Way Audio (full duplex)
Compression	G711, G726
Interface	External microphone input Audio output
Network	
Users	Live viewing for up to 10 clients
Protocols	IPv4, IPv6, TCP/IP, HTTP, HTTPS, UPnP, RTSP, RTP, RTCP, IGMP, SMTP, FTP, DHCP, NTP, DNS, DDNS, PPPoE, CoS, QoS, SNMP, 802.1X, UDP, ICMP, ARP, SSL, TLS
Interface	10 Base-T/100 Base-TX / 1000 Base-T Ethernet (RJ-45) *It is highly recommended to use standard CAT5e & CAT6 cables which are compliant with the 3P/ETL standard.
ONVIF	Supported, specification available at www.onvif.org
Intelligent Video	
Video Motion Detection	Five-window video motion detection

VCA*	Line crossing detection, field detection, loitering detection
Alarm and Event	
Alarm Triggers	Video motion detection, manual trigger, digital input, periodical trigger, system boot, recording notification, camera tampering detection, audio detection
Alarm Events	Event notification using digital output, HTTP, SMTP, FTP and NAS server, SD Card File upload via HTTP, SMTP, FTP, NAS server and SD card
General	
Smart Focus System	Remote Back Focus via UI
Connectors	RJ45 cable connector for 10/100/1000Mbps Network/ PoE connection Audio input Audio output DC 12V power input AC 24V Power input Digital input*3 Digital output*1
LED Indicator	System power and status indicator
Power Input	DC12 V/AC 24V IEEE 802.3af PoE
Power Consumption	Max. 8.6 W(DC 12V) Max. 14.9 W(AC 24V) Max. 10.8 W(PoE)
Dimensions	210 (D) x 70 (W) x 63 (H) mm
Weight	623 g
Safety Certifications	CE, LVD, FCC Class B, VCCI, C-Tick, UL
Operating Temperature	Starting Temperature: 0°C ~ 50°C (32°F ~ 122°F) Working Temperature: -10°C ~ 50°C (14°F ~ 122°F)
Humidity	90%
Warranty	36 months
System Requirements	
Operating System	Microsoft Windows 7/8/ Vista/ XP 2000
Web Browser	Mozilla Firefox 7~10 (streaming only) Internet Explorer 7/8/9/10/11
Other Players	VLC: 1.1.11 or above Quicktime: 7 or above
Included Accessories	
CD	User's manual, quick installation guide, Installation Wizard 2, VAST
Others	Quick installation guide, mounting bracket, screw pack, Lens

Dimensions



* Available per project request.

Compatible Accessories

Enclosures



AE-237
Camera Enclosure,
AC 24V, -20°C ~ 50°C



AE-241
Camera Enclosure with
Internal IR, PoE, -20°C ~ 50°C



AE-242
Camera Enclosure with
Internal IR, UPoE, -40°C ~ 50°C

Others



AI-104-010/025/035
100m/50m/25m IR Illuminators

All specifications are subject to change without notice. Copyright © VIVOTEK INC. All rights reserved.

Ver. 10

