



# Mobile Dome Network Camera MD8531H



1.2MP • WDR Pro • 3DNR • Video  
Rotation • IP66 • EN50155 Compliance

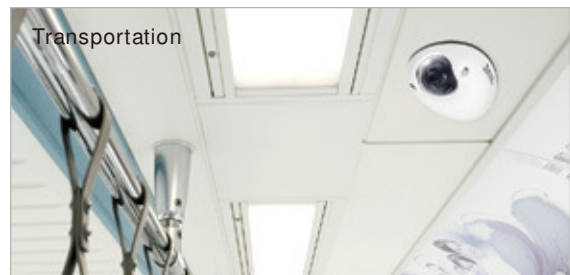
VIVOTEK MD8531H is a compact, 1.2-megapixel network camera geared toward transportation applications such as buses, trains, and other vehicles. With full EN50155 compliance & IP66-rated design, the camera can withstand shock, vibration, humidity, dust, and temperature fluctuations, maintaining stable and reliable video during vehicle movement. Furthermore, the vandal-proof metal housing effectively provides robust protection from vandalism. As such, the combination of high resolution imaging and protective housing endows the MD8531H with the rugged reliability required to maximize passenger safety and optimize mobile surveillance.

With the tamper detection feature, the MD8531H becomes a truly robust and intelligent camera that keeps security staff notified once it suffers video loss from being blocked or spray-painted. PoE (Power-over-Ethernet) also allows the camera to be operated and powered with a single Ethernet cable, giving greater ease of installation. In order to facilitate on-board storage and data portability, the camera is also complete with a MicroSD/SDHC/SDXC card slot for local recording. In corridor scenario, video rotation feature can provide wider vertical coverage for more depth.

Featuring the Wide Dynamic Range Technology WDR Pro, it provides improved visibility in the extremely dark & light environment. Combined with 3D Noise Reduction Technology, which enables the MD8531H to capture clear, polished video under low-light conditions and reduce bandwidth from sensor noise, users can identify an increased level of image details in pretty bright as well as dark environments.

## Features

- 1.2-Megapixel CMOS Sensor
- 30 fps @ 1280x960
- EN50155 Compliance for Professional Mobile Surveillance
- WDR Pro to Provide Improved Visibility in Extremely Bright or Dark Environments
- Vandal-proof IK10-rated and Weather-proof IP66-rated Housing
- Built-in 802.3af Compliant PoE
- Built-in MicroSD/SDHC/SDXC Card Slot for On-board Storage
- Video Rotation for Corridor Scenario

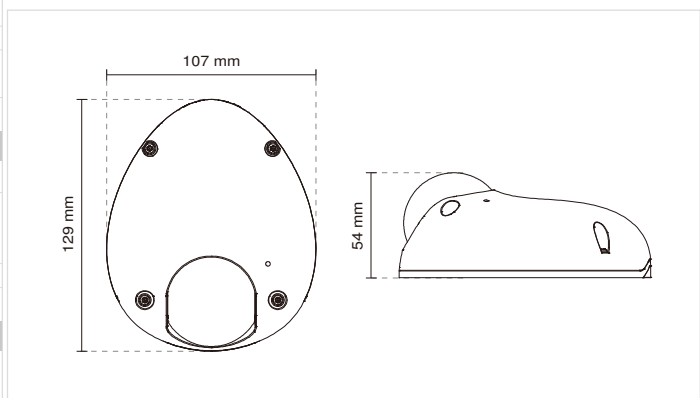


## Technical Specifications

Model	MD8531H
<b>System Information</b>	
CPU	Multimedia SoC (System-on-Chip)
Flash	128 MB
RAM	256 MB
<b>Camera Features</b>	
Image Sensor	1/3" Progressive CMOS
Maximum Resolution	1280x960
Lens Type	Fixed-focal
Focal Length	f = 3.6mm (MD8531H-F3) f = 4.2mm (MD8531H-F4)
Aperture	F1.8
Field of View	MD8531H-F3: 80°(Horizontal) 57°(Vertical) 103°(Diagonal) MD8531H-F4: 68°(Horizontal) 50°(Vertical) 90°(Diagonal)
Shutter Time	1/5 sec. to 1/32,000 sec.
WDR Technology	WDR Pro
Minimum Illumination	0.4 Lux @ F1.8, 30 IRE(Color)
Pan/tilt/zoom Functionalities	ePTZ: 48x digital zoom (4x on IE plug-in, 12x built in)
On-board Storage	MicroSD/SDHC/SDXC card slot
<b>Video</b>	
Compression	H.264, MPEG-4 & MJPEG
Maximum Frame Rate	H.264: 30fps @ 1280x960, 30fps @ 960x1280 MPEG-4: 30fps @ 1280x960, 30fps @ 960x1280 MJPEG: 30 fps @ 1280x960, 30fps @ 960x1280
Maximum Streams	4 simultaneous streams
S/N Ratio	Above 60 dB
Dynamic Range	120dB
Video Streaming	Adjustable resolution, quality and bitrate Video rotation
Image Settings	Adjustable image size, quality and bit rate Time stamp, text overlay, flip & mirror Configurable brightness, contrast, saturation, sharpness, white balance, exposure control, gain, backlight compensation, privacy masks Scheduled profile settings, 3D Noise Reduction
<b>Audio</b>	
Audio Capability	Two-way audio (full duplex)
Compression	G.711, G.726
Interface	Built-in microphone Audio output
Effective Range	5 meters
<b>Network</b>	
Users	Live viewing for up to 10 clients
Protocols	IPv4, IPv6, TCP/IP, HTTP, HTTPS, UPnP, RTSP/RTP/RTCP, IGMP, SMTP, FTP, DHCP, NTP, DNS, DDNS, PPPoE, CoS, QoS, SNMP, 802.1X, UDP, ICMP
Interface	10Base-T/100 BaseTX Ethernet (RJ-45)
ONVIF	Supported, specification available at <a href="http://www.onvif.org">www.onvif.org</a>
<b>Intelligent Video</b>	
Video Motion Detection	Triple-window video motion detection

<b>Alarm and Event</b>	
Alarm Triggers	Video motion detection, manual trigger, digital input, periodical trigger, system boot, recording notification, camera tampering detection, temperature detection, audio detection
Alarm Events	Event notification using HTTP, SMTP, FTP and NAS server File upload via HTTP, SMTP, FTP and NAS server
<b>General</b>	
Connectors	RJ-45 for Network/PoE connection Audio output Digital output*1 Digital input*1
LED Indicator	System power and status indicator
Power Input	IEEE 802.3af PoE Class 1
Power Consumption	Max. 3.8W (PoE)
Dimensions	129 mm (D) x 107 mm (W) x 54 mm (H)
Weight	Net: 392g
Casing	Weather-proof IP66-rated housing Vandal-proof IK10-rated housing
Safety Certifications	CE, LVD, FCC Class A, VCCI, C-Tick, EN50155
Operating Temperature	Starting Temperature: -25°C ~ 55°C (-13°F ~ 131°F) Working Temperature: -25°C ~ 55°C (-13°F ~ 131°F)
Warranty	36 months
<b>System Requirements</b>	
Operating System	Microsoft Windows 8/7/Vista/XP/2000
Web Browser	Mozilla Firefox 7~10 (streaming only) Internet Explorer 7/8/9/10
Other Players	VLC: 1.1.11 or above QuickTime: 7 or above
<b>Included Accessories</b>	
CD	User's manual, quick installation guide, Installation Wizard 2, ST7501 32-channel recording software
Others	Quick installation guide, screwdriver, alignment sticker, Software CD

## Dimensions



## Compatible Accessories

### PoE Kits



POE-IJ-1748NDN  
PoE injector, 802.3af compliant

All specifications are subject to change without notice. Copyright © VIVOTEK INC. All rights reserved.

Distributed by:



VIVOTEK INC.  
6F, No.192, Lien-Cheng Rd., Chung-Ho,

VIVOTEK USA  
2050 Ringwood Avenue,

VIVOTEK Europe  
Busplein 36, 1315KV, Almere,

Ver 1.0

