



## MS8392-EV

Multi-Sensor Dome Network Camera

12MP · 180° Panoramic View · IP66 · IK10 ·  
-50°C ~ 50°C · Smart Stream II

The VIVOTEK MS8392-EV is designed with multiple sensors to provide higher resolution, maximize the field of view and reduce the total number of cameras needed for surveillance, helping to reduce total installation time and costs. Featuring 4 x 3MP CMOS Sensors, the MS8392-EV network camera can monitor full 180° horizontal views and deliver high-quality comprehensive video coverage, making it an ideal outdoor surveillance solution.

The MS8392-EV has a video alignment feature that allows you to adjust the positioning and image quality of each sensor. This enables you to record a seamless 180° image without distortion. Employing VIVOTEK's Smart Stream II technology,

the MS8392-EV can reduce both bandwidth and storage consumption by up to 50%\* while maintaining high standards of image quality.

In addition, the MS8392-EV is armed with a robust IP66 and IK10-rated housing to enable the multi-sensor camera to withstand rain and dust as well as to protect against vandalism or tampering. It also has an included sunshield, for when wall mounted.

\* Depending on scene

### Key Features

- 12-Megapixel Resolution
- 180° Panoramic View
- 7 fps @ 7552x1416
- Video Alignment Allowing You to Have a Seamless Picture
- Smart Stream II to Optimize Bandwidth Efficiency
- Weather-proof IP66-rated and Vandal-proof IK10-rated Housing
- -50°C ~ 50°C Wide Temperature Range for Extreme Weather Conditions



MS8392-EV Image

# Technical Specifications

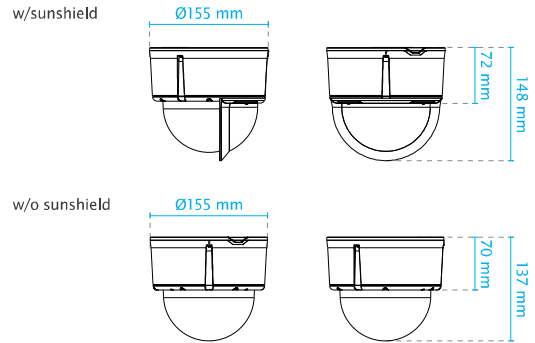
Model	MS8392-EV
<b>System Information</b>	
CPU	Multimedia SoC (System-on-Chip)
Flash	128MB
RAM	1GB
<b>Camera Features</b>	
Image Sensor	1/2.8" Progressive CMOS
Maximum Resolution	7552x1416
Lens Type	Fixed-focal
Focal Length	f = 6 mm
Aperture	F1.6
Field of View	180° (Horizontal) 34° (Vertical)
Shutter Time	1/5 sec. to 1/32000 sec.
WDR Technology	WDR Enhanced
Day/Night	Removable IR-cut filter for day & night function
Minimum Illumination	0.23 Lux @ F1.6 (Color) < 0.01 Lux @ F1.6 (B/W)
Tilt Range	15° ~ 90°
Pan/Tilt/Zoom Functionalities	ePTZ: 48x digital zoom (4x on IE plug-in, 12x built in)
On-board Storage	Slot type: Micro SD/SDHC/SDXC card slot Seamless Recording
<b>Video</b>	
Compression	H.264 & MJPEG
Maximum Frame Rate	7 fps @ 7552x1416
Maximum Streams	4 simultaneous streams
S/N Ratio	63dB
Dynamic Range	60dB
Video Streaming	Adjustable resolution, quality and bitrate, Configurable video cropping for bandwidth saving Smart Stream II
Image Settings	Time stamp, text overlay, flip & mirror, scheduled profile settings, configurable brightness/contrast/saturation/sharpness, white balance, exposure control, gain, backlight compensation, privacy masks
<b>Audio</b>	
Compression	G.711, G.726
Interface	External microphone input External line output

<b>Network</b>	
Users	Live viewing for up to 10 clients
Protocols	IPv4, IPv6, TCP/IP, HTTP, HTTPS, UPnP, RTSP/RTP/RTCP, IGMP, SMTP, FTP, DHCP, NTP, DNS, DDNS, PPPoE, CoS, QoS, SNMP, 802.1X, NTCIP, ARP, SSL, TLS
Interface	10 Base-T/100 BaseTX Ethernet (RJ-45) *It is highly recommended to use standard CAT5e & CAT6 cables which are compliant with the 3P/ETL standard.
ONVIF	Supported, specification available at <a href="http://www.onvif.org">www.onvif.org</a>
<b>Intelligent Video</b>	
Video Motion Detection	Five-window video motion detection
<b>Alarm and Event</b>	
Alarm Triggers	Motion detection, manual trigger, digital input, periodical trigger, system boot, recording notification, camera tampering detection, audio detection
Alarm Events	Event notification using HTTP, SMTP, FTP and NAS server, SD Card File upload via HTTP, SMTP, FTP, NAS server and SD card
<b>General</b>	
Connectors	RJ-45 cable connector for Network/PoE connection Audio input*1 Audio output*1 AC 24V power input*1 Digital input*1 Digital output*1
LED Indicator	System power and status indicator
Power Input	AC 24V IEEE 802.3at PoE Class 4
Power Consumption	AC 24V: Max. 41.5W/8.5W (Heater on/off) IEEE 802.3at PoE: Max. 23.5W/8.5W (Heater on/off)
Dimensions	155mm x 137mm (w/o sunshield) 155mm x 148mm (w/sunshield)
Weight	1242.2 g
Casing	Weather-proof IP66-rated and vandal-proof IK10-rated housing
Safety Certifications	CE, LVD, FCC Class A, VCCI, C-Tick, UL
Operating Temperature	AC 24V: Starting Temperature: -40°C ~ 50°C (-40°F ~ 122°F) Working Temperature: -50°C ~ 50°C (-58°F ~ 122°F) PoE: Starting Temperature: -20°C ~ 50°C (-4°F ~ 122°F) Working Temperature: -20°C ~ 50°C (-4°F ~ 122°F)
Humidity	90%

# Technical Specifications

Warranty	36 months
<b>System Requirements</b>	
Operating System	Microsoft Windows 8/7/Vista/XP/2000
Web Browser	Mozilla Firefox 7~43 (Streaming only) Internet Explorer 7/8/9/10/11
Other Players	VLC: 1.1.11 or above Quicktime: 7 or above
<b>Included Accessories</b>	
CD	User's manual, quick installation guide, Installation Wizard 2, VAST
Others	Quick installation guide, warranty card, desiccant bag, alignment sticker, wall mount kit, screws

## Dimensions



# Compatible Accessories

## Mounting Kits



**AM-525 (v01)**  
Mounting Adapter

