

SD8111/8121

Speed Dome Network Camera

12x Zoom • Day & Night • 3D Noise Reduction • WDR



VIVOTEK SD8111/21, equipped with a 12x optical zoom lens, is a high performance day/night speed dome network camera geared for professional surveillance applications, representing another significant addition to VIVOTEK's high-end H.264 network camera portfolio.

Adopting a 12x optical zoom lens and utilizing SONY's EXView CCD sensor, this network camera allows for not only close-up images with exceptional detail from a faraway distances, but also crystal-clear, razor-sharp video of fast-moving objects without jagged edges. With a sophisticated pan/tilt mechanism, it provides fast, precise movement with endless 360-degree pan and 90-degree tilt. The user can easily control the lens position via mouse or joystick to track the object of interest and set up to 128 preset positions for patrolling.

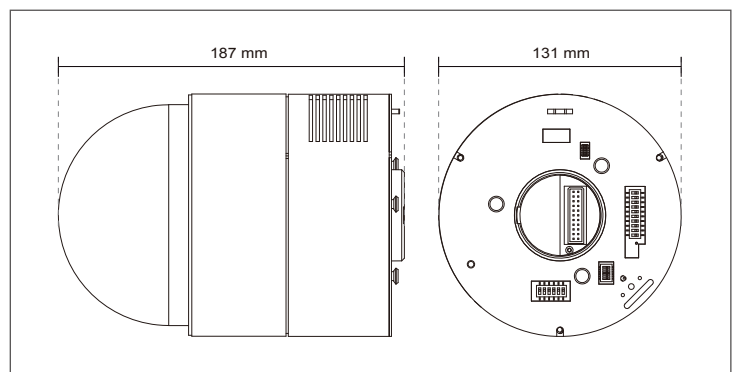
Boasting with Wide Dynamic Range technology, SD8111/21 can cope with any challenging lighting conditions and generate image quality closer to the capabilities of the human eye. The day and night functionality also makes the SD8111/21 ideal for operating under diverse lighting conditions. When lighting conditions turn poor, the IR-cut filter will automatically disengage to accept IR illumination and improve image quality. With the new 2D & 3D noise reduction technology, environmental noise is removed to provide crystal clear nighttime video and the camera automatically switches from color to black and white, assuring optimal image quality at all times. Additional advanced features, including 3GPP mobile surveillance, two-way audio, and digital I/O for external sensors & alarms, make the VIVOTEK SD8111/21 a full-featured speed dome and a suitable solution for all levels of enterprise projects such as airports, parking lots, and shopping malls, where high-level reliability and precision are an absolute must.

Features

- > SONY EXview HAD CCD Sensor in D1 Resolution
- > 12x Zoom Lens
- > 360° Continuous Pan and 190° Tilt
- > Removable IR-cut Filter for Day & Night Functionality
- > Real-time H.264, MPEG-4, and MJPEG Compression (Triple Codec)
- > 3D Noise Reduction for Clear Nighttime Images
- > WDR Enhancement for Unparalleled Visibility in Extremely Bright or Dark Environments
- > Built-in SD/SDHC Card Slot for On-board Storage

Models	<ul style="list-style-type: none"> · SD8111 (NTSC) · SD8121 (PAL) 	Networking	<ul style="list-style-type: none"> · 10/100 Mbps Ethernet, RJ-45 · Onvif support · Protocols: IPv4, IPv6, TCP/IP, HTTP, HTTPS, UPnP, RTPSP/ RTP/RTCP, IGMP, SMTP, FTP, DHCP, NTP, DNS, DDNS, PPPoE, CoS, QoS, SNMP, and 802.1X
System	<ul style="list-style-type: none"> · CPU: TI DM365 SoC · Flash: 128MB · RAM: 128 MB · Embedded OS: Linux 2.4 	Alarm and Event Management	<ul style="list-style-type: none"> · Triple-window video motion detection · Four D/I and one D/O for external sensor and alarm · Event notification using HTTP, SMTP, or FTP · Local recording of MP4 file
Pan/Tilt/Zoom	<ul style="list-style-type: none"> · Pan range: 360° continuous rotation · Tilt range: -10° ~ 190° flip · 12x optical zoom · Pan speed: 0.1° ~ 300°/sec · Tilt speed: 0.1° ~ 120°/sec · Auto pan mode · Auto patrol mode 	On-board Storage	<ul style="list-style-type: none"> · SD/SDHC card slot · Stores snapshots and video clips
Lens	<ul style="list-style-type: none"> · 12x optical zoom lens, f = 3.8 ~ 45.6 mm, F1.6 (wide), F2.8 (tele), auto-iris, focus range: 20 mm (wide), 3,000 mm (tele) to infinity · Removable IR-cut filter for day & night function 	Security	<ul style="list-style-type: none"> · Multi-level user access with password protection · IP address filtering · HTTPS encrypted data transmission · 802.1X port-based authentication for network protection
Angle of View	<ul style="list-style-type: none"> · 1.7° ~ 55.8° (Horizontal) 	Users	<ul style="list-style-type: none"> · Live viewing for up to 10 clients
Shutter Time	<ul style="list-style-type: none"> · 1/2 sec. to 1/30,000 sec. (SD8111) · 1/1.5 sec. to 1/30,000 sec. (SD8121) 	Dimension	<ul style="list-style-type: none"> · Camera: Ø 131 mm x 187 mm · Cable length: 680 mm · Cable diameter: Ø 8 mm; Max width: Ø 13.5 mm
Image Sensor	<ul style="list-style-type: none"> · SONY 1/4" EXview HAD CCD sensor in D1 resolution 	Weight	<ul style="list-style-type: none"> · Net: 1,500 g
Minimum Illumination	<ul style="list-style-type: none"> · 0.1 Lux / F1.6 (Color) · 0.01 Lux / F1.6 (B/W) 	Power	<ul style="list-style-type: none"> · 12V DC · Power consumption: Max. 11.4 W
Video	<ul style="list-style-type: none"> · Compression: H.264, MJPEG & MPEG-4 · Streaming: <ul style="list-style-type: none"> Multiple simultaneous streams H.264 streaming over UDP, TCP, HTTP or HTTPS MPEG-4 streaming over UDP, TCP, HTTP or HTTPS H.264/MPEG-4 multicast streaming MJPEG streaming over HTTP or HTTPS · Supports activity adaptive streaming for dynamic frame rate control · Supports 3GPP mobile surveillance · Frame Rates: <ul style="list-style-type: none"> MPEG-4: <ul style="list-style-type: none"> Up to 30/25 fps at 720 x 480 (SD8111) / 720 x 576 (SD8121) H.264: <ul style="list-style-type: none"> Up to 30/25 fps at 720 x 480 (SD8111) / 720 x 576 (SD8121) MJPEG: <ul style="list-style-type: none"> Up to 30/25 fps at 720 x 480 (SD8111) / 720 x 576 (SD8121) 	Approvals	<ul style="list-style-type: none"> · CE, LVD, FCC, VCCI, C-Tick
Image Settings	<ul style="list-style-type: none"> · Adjustable image size, quality, and bit rate · Time stamp and text caption overlay · Flip & mirror · Configurable brightness, contrast, saturation, sharpness, white balance, and exposure · AGC, AWB, AES · WDR enhanced · Automatic, manual, or scheduled day/night mode · BLC (Backlight Compensation) · Supports privacy masks 	Operating Environments	<ul style="list-style-type: none"> · Temperature: 0°C ~ 40°C (32°F ~ 104°F) · Humidity: 90% RH
Audio	<ul style="list-style-type: none"> · Compression: <ul style="list-style-type: none"> GSM-AMR speech encoding, bit rate: 4.75 kbps to 12.2 kbps MPEG-4 AAC audio encoding, bit rate: 16 kbps to 128 kbps G.711 audio encoding, bit rate: 64 kbps, μ-Law, or A-Law mode selectable · Interface: <ul style="list-style-type: none"> External microphone input Audio output · Supports two-way audio · Supports audio mute 	Viewing System Requirements	<ul style="list-style-type: none"> · OS: Microsoft Windows 7/Vista/XP/2000 · Browser: Mozilla Firefox, Internet Explorer 6.x, or above · Cell phone: 3GPP player · Real Player: 10.5 or above · Quick Time: 6.5 or above
		Installation, Management, and Maintenance	<ul style="list-style-type: none"> · Installation Wizard 2 · 32-CH ST7501 recording software · Supports firmware upgrade
		Applications	<ul style="list-style-type: none"> · SDK available for application development and system integration
		Warranty	<ul style="list-style-type: none"> · 24 months

Dimension



All specifications are subject to change without notice. Copyright © 2011 VIVOTEK INC. All rights reserved. P/N: 971003601

Distributed by:



VIVOTEK INC.

6F, No.192, Lien-Cheng Rd., Chung-Ho, New Taipei City, 235, Taiwan, R.O.C.
 | T: +886-2-82455282 | F: +886-2-82455532 | E: sales@vivotek.com

VIVOTEK USA, INC.

2050 Ringwood Avenue, San Jose, CA 95131
 | T: 408-773-8686 | F: 408-773-8298 | E: salesusa@vivotek.com