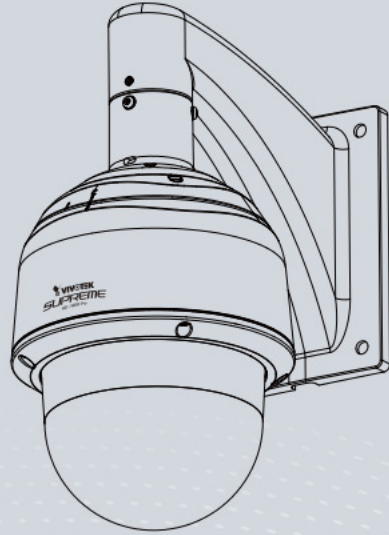




SD8363E/63E-M Speed Dome Network Camera Quick Installation Guide

English | 繁體中文 | 简体中文 | 日本語 | Français | Español | Deutsch | Português | Italiano | Türkçe | Polski | Русский | Česky | Svenska | Nederlands
Dansk | Indonesia | العربية

1080P • 20x Zoom • NEMA 4x • IP66 • Extreme Weatherproof



SUPREME

Warning Before Installation

- Power off the Network Camera as soon as smoke or unusual odors are detected.
- Do not disassemble the Network Camera.
- Do not insert sharp or tiny objects into the Network Camera.
- Do not manually pan and tilt the Network Camera when the power is on.
- Refer to your user's manual for the operating temperature.
- Do not touch the Network Camera during a lightning storm.
- Do not drop the Network Camera.

1 Package Contents

● SD8363E/63E-M



● Screws / Alignment Sticker / T25 Screwdriver / Desiccant Bags (SD8363E)



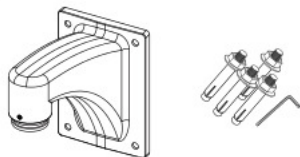
● Quick Installation Guide



● Software CD / Warranty Card



● Wall Mount Bracket / Screws



● Waterproof Connectors / Terminal Blocks / Ethernet Cable / Ground Wire

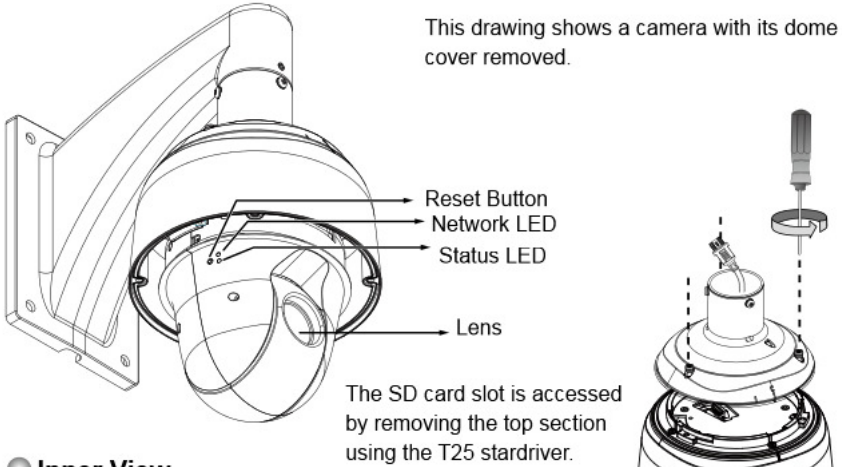


● PC/ABS / Smoked Dome Cover / IO Cable (Separately Purchased)

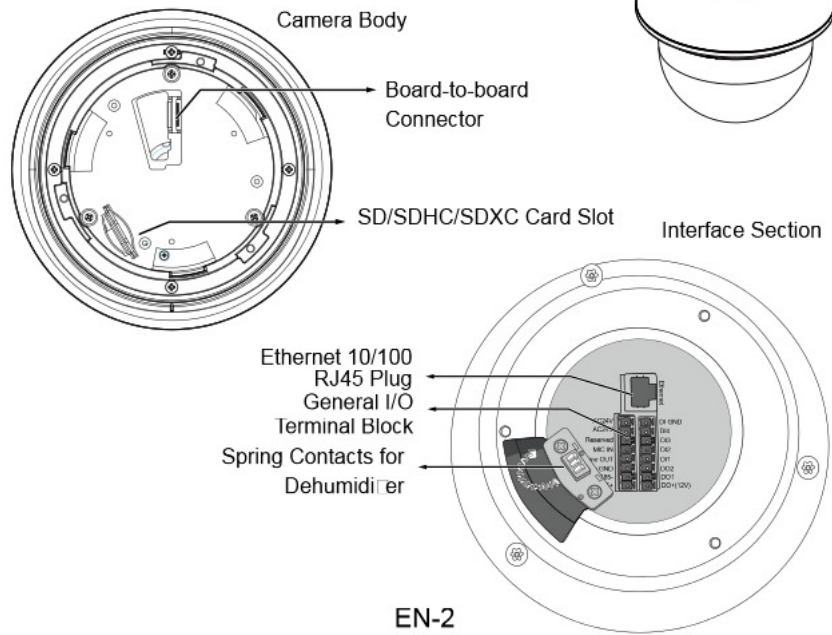


2 Physical Description

Outer View



Inner View

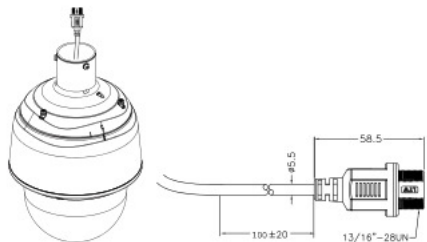


3 Hardware Installation

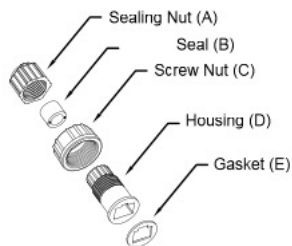
3-1. Connecting RJ45 Ethernet Cable

● RJ45 Cable Dimension (unit: mm)

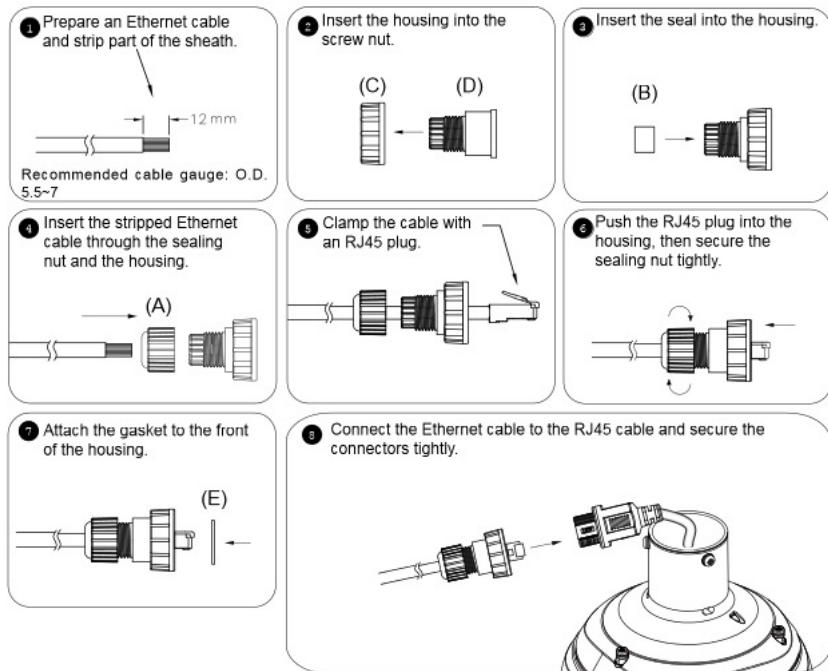
Use CAT5e cables only.



● Components of the Waterproof Connector



● Assembling Steps

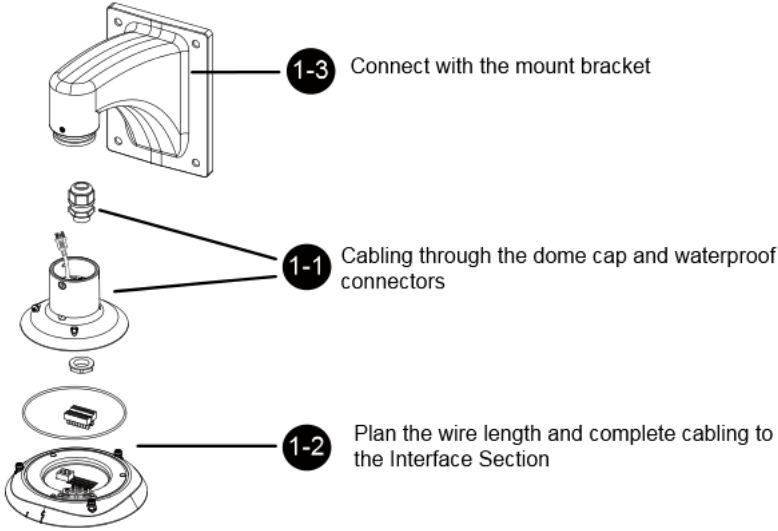


EN-3

3-2. Connecting Power and I/O Wires

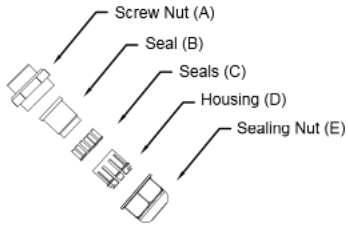
If you need to connect I/O wires and 24V power, disassemble the top section of the camera. It is highly recommended to complete the following before you can mount the speed dome camera at the installation site:

Skip this section and move to Section 3-3 if you connect the Ethernet cable only.



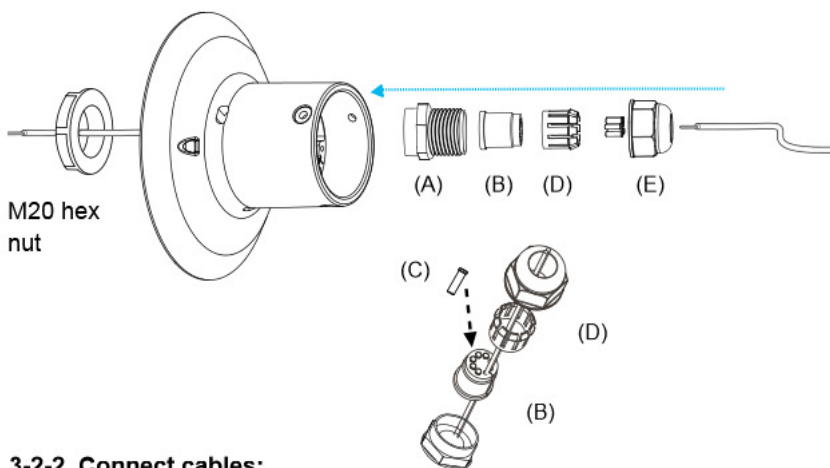
3-2-1. Cabling through the Waterproof Connectors

● Components of the Waterproof Connector



- Wire range: 13~16AWG (1.2~1.8mm)
- A socket wrench for the M20 hex nut is required.

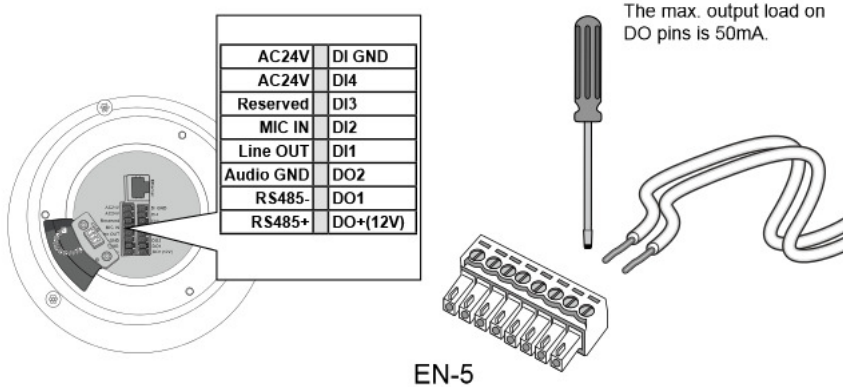
1. Disassemble the components of the waterproof connector into parts (A) ~ (E) as shown above.
2. Remove the plastic stopper from the bottom of the dome cap and keep the M20 hex nut for later use.
3. Depending on the number of wires, remove seals (C) from the rubber seal (B).
4. If you have external devices such as sensors and alarms, feed IO wires through the waterproof connector (E --> D --> B --> A) as illustrated below. Note that there are 16 holes on the seal (B), and wire range is between 1.2 and 1.8mm.
5. Push the seal (B) into the housing (D).
6. Secure the sealing nut (E) tightly.



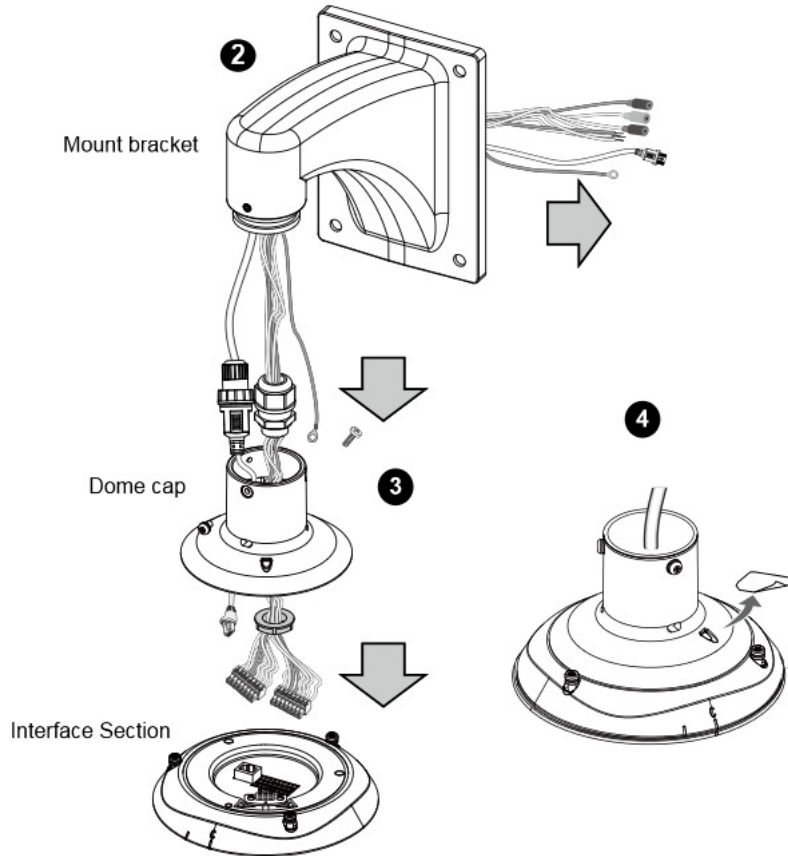
3-2-2. Connect cables:

1. Use a small-size flat-blade screwdriver to secure IO wires to the included terminal blocks. You may also purchase an IO combo cable from VIVOTEK.

Wire range: 13~16AWG
Strip length: 6~7mm
Screw: M2



2. Feed the Ethernet cable and IO wires through the mounting bracket, the openings on the dome cap, and to the interface section. Attach the rubber seal plug to dome cap for water proofing.
3. Secure the included ground wire to the dome cap, pass it through the mount bracket, and connect the other end to a grounded conduit later.
4. Remove seal from the breathe hole on the top section if your camera comes with the dehumidifier.



NOTE:

1. IO wires are user-supplied.
2. Avoid touching the circuit boards to prevent damage by electro static discharge.

