

# B6210 2MP IR Mini Bullet



- Full HD 1080p

- ROI

- Corridor Mode



The ZAVIO B6210. Best-in-class image quality and essential features in an affordable and ultra-compact package. 1080p resolution, H.264 compression, IR LEDs, PoE and IP66 weatherproof, fitting the bill for most applications where a clear image day and night is all that's needed. ROI (Region of Interest) sends your precious bandwidth and storage on the areas that really matter to you, and Corridor mode allows for vertical "portrait"-shaped video streams, that help you to make the most of your field of view in staircases, aisles, tunnels and many more.

## Features

- . Full HD 1080p
- . 1/2.8" CMOS sensor
- . H.264 and Motion JPEG compression
- . 25 fps at 1920 x 1080
- . 3.6 mm, F1.8, Fixed lens
- . True day & night with automatic removable IR-cut filter
- . Smart feature: Corridor Mode, ROI
- . IR 15m range
- . RTC with built-in battery
- . Motion detection
- . IP66 weatherproof
- . Screwless 3-axis angle adjustment for easy installation on wall or ceiling
- . SSL v3 advanced HTTPS encryption
- . Full support for Firefox, Safari and Mac OS
- . Supports Samba network storage
- . Multi-lingual user interface
- . ONVIF 2.4 and Profile S compliant
- . Free 64-channel NVR software

## ROI



## Corridor Mode



Normal

Corridor Mode

## Applications



1. Education
2. Residential
3. Retail

## IP Surveillance Solutions

- . Free 64ch NVR Software
- . NVR Recorders



The most professional NVR software you can get for free!

- Support up to 64 channels
- Up to 128 channels remote live view
- Remote playback 16 channels
- Multi-site / multi-server
- Transcoding (record high quality, transcode to different resolution/ frame rate for remote client to save bandwidth)
- iOS/ Android mobile client (multi-channel live view | playback | PTZ & I/O control)
- E-maps (up to 4 layers | unlimited number of maps | video preview)
- Dual monitor
- ePTZ
- Multi-lingual user interface

### . ONVIF

All IP cameras are ONVIF 2.x & Profile S compliant, and continuously upgraded to comply with the latest versions



The most cost-efficient way to professionally view, record and manage up to 32 Full HD cameras

- Up to 32 channels
- Up to 4 HDDs or 16TB of storage
- Up to 160Mbps recording throughput
- Free CMS up to 128 channels remote live view
- Free P2P service, no more router settings
- One click setup
- HDMI, VGA dual video output
- RAID 0,1
- Supports 3rd party cameras
- Supports POS (Point-of-sale)
- Small and lightweight

# Technical Specifications

## Camera

Model	B6210 2MP IR Mini Bullet Camera
Image sensor	1/2.8" CMOS sensor
Lens	3.6 mm, F1.8
Angle of view	70° horizontal
Min illumination	0.05 lux @ F1.8 (color) 0.005 lux (B/W) 0 lux (IR LED on)
IR working distance	15m effective range
Day/Night function	Mechanical IR cut filter Light sensor

## Video

Video compression	Motion JPEG H.264 baseline/ main profile/high profile
Resolutions	Motion JPEG: 5 resolutions from 1920 x 1080 to 320 x 240 via API 3 resolutions from 640 x 480 to 320 x 240 via API H.264: 5 resolutions from 1920 x 1080 to 320 x 240 via API 3 resolutions from 640 x 480 to 320 x 240 via API
Frame rate	Motion JPEG: up to 25 fps at 1920 x 1080 H.264: up to 25 fps at 1920 x 1080
Video streaming	Simultaneous Motion JPEG, H.264 Controllable frame rate and bandwidth Support unicast (Real Time Streaming Protocol)
Image settings	Rotation: mirror, flip, mirror+ flip WDR enhanced Brightness, contrast, saturation, sharpness Overlay capabilities: Time stamp, Title, Title & Time stamp Privacy mask

## Network

Security	Multiple user access levels with password protection, HTTPS encryption
Supported protocols	Bonjour, TCP/ IP, DHCP, DNS, DynDNS, PPPoE, ARP, ICMP, FTP, SMTP, NTP, UPnP, RTSP, RTP, RTCP, HTTP, HTTPS, SSL, TCP, UDP
Users	5 simultaneous users

## Alarm and Event Support

Alarm and event	Input: motion detection, tampering detection, periodical Output: network storage, FTP, SMTP, HTTP event Pre and post event image
-----------------	--

## System

Connectors	RJ45 Ethernet 10/ 100 Base-T (with PoE) Reset push button DC 12V power supply
Software integration	ONVIF 2.4 & Profile S

## General

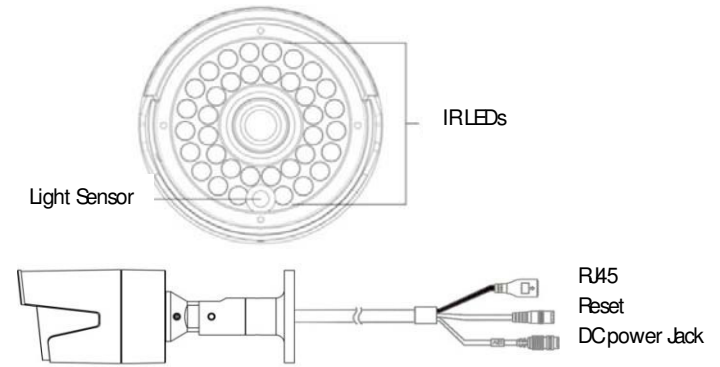
Casing	Metal housing
Housing	IP66 rated weatherproof housing
Power	12V DC, 1A Power consumption: Max. 14W PoE (Power over Ethernet) built-in IEEE 802.3af

Operating conditions	-10 ~ 50 °C
Installation, management and maintenance	ZAVIO camera management tool on CD and web-based configuration. Configuration of backup and restore firmware upgrades over HTTP, firmware available at <a href="http://www.zavio.com">www.zavio.com</a>
Minimum web browsing requirement	Pentium 2.8GHz (or equivalent AMD) 256MB RAM graphic cards (or equivalent on-board graphic cards) 1G RAM Windows 2008, XP, Vista or Windows 7 Mac OS Leopard 10.5 or later
Dimensions (HxWxD)	φ66 x 165 x 89mm, incl. bracket (φ2.6" x 6.5" x 3.5")
Weight	500g exd. power supply
Included accessories	Quick installation guide, CD (Camera Installation Tool, Video Management Tool, User Manuals, Camera Language Packs) mounting and connector kits
Certification	CE, FCC, RoHS

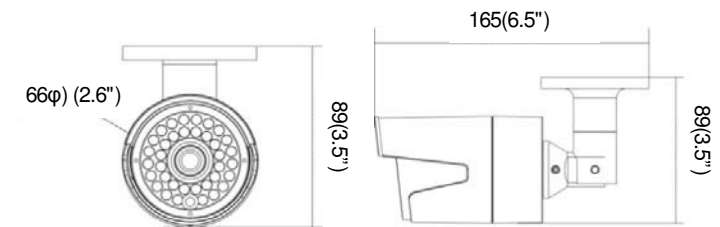
## Integration

Video management	ZAVIO CamGraba IP System software, for viewing, and archiving up to 64 cameras See <a href="http://www.zavio.com/suport_softwares.php">http://www.zavio.com/suport_softwares.php</a> for more software application
------------------	---

## Part Names and Functions



## Dimensions



Unit: mm (inches)

