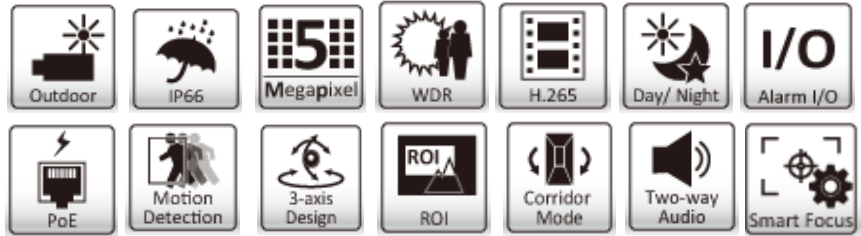


ZAVIO D6530 5MP IR Dome IP Camera



- 30fps @ 2560 x 1920
- H.265, 50% lower bitrate
- IR 30m
- ROI & Corridor mode
- Micro SD card slot
- 2 alarm in, 1 alarm out
- Audio in & out



The all new ZAVIO D6530 outdoor dome camera is full featured, yet compact and affordable.

Latest H.265 compression to cut bandwidth in half, with ZAVIO's smart codec feature further lowering bandwidth and storage consumption to 85% less than normal H.264 cameras.

Huge 1/1.8" Sony sensor with 5Mp resolution @ 30 fps that gives the most details. True WDR to handle the most challenging lighting conditions. Superior low-light sensitivity that still sees when you don't. Smart Focus function which automatically focuses in a second, remotely of course. The D6530 can be used in all kinds of applications, outdoors and indoors. Comes with ZAVIO CamGraba 2.0, the most professional VMS software you can get for free, with support for up to 64 IP cameras.



Related models

Model Name	D6330	D6530	D8520
Feature	IRMotORIZED Dome	IRMotORIZED Dome	IRMotORIZED Dome
	3MP	5MP	5MP
	H.264	H.265	H.265
	PoE	PoE	PoE
	IP66	IP66	IP66

Features

- . 1/1.8" 6-Megapixel CMOS sensor
- . H.265, H.264, and Motion JPEG compression
- . 30fps @ 2560 x 1920
- . F1.5, 3.6 - 10 mm motorized, P-iris lens
- . True day & night with automatic removable IR-cut filter
- . IR30m
- . Corridor mode
- . ROI(region of interested)
- . Two-way audio, line in and line out
- . 2 x alarm input, 1 x alarm output
- . Edge storage
- . RTC with built-in battery
- . IP66 weatherproof
- . IK10 vandal-proof
- . SSL v3 advanced HTTPS encryption
- . Full support for Firefox, Safari and Mac OS
- . Supports Samba network storage
- . Multi-lingual user interface
- . ONVIF 2.4 and Profile S compliant
- . Free 64 channels ZAVIO CamGraba 2.0 NVR software

WDR



WDR off



WDR on

Applications



1. Office
2. Public Area

IP Surveillance Solutions

. Free 64ch NVR Software

The most professional NVR software you can get for free!

- Support up to 64 channels
- Up to 128 channels remote live view
- Remote playback 16 channels
- Multi-site / multi-server
- Transcoding (record high quality, transcode to different resolution / frame rate for remote client to save bandwidth)
- iOS / Android mobile client (multi-channel live view | playback | PTZ & I/O control)
- E-maps (up to 4 layers | unlimited number of maps | video preview)
- Dual monitor
- ePTZ
- Multi-lingual user interface



. ONVIF

All IP cameras are ONVIF 2.x & Profile S compliant, and continuously upgraded to comply with the latest versions



. NVR Recorders

The most cost-efficient way to professionally view, record and manage up

to 32 Full HD cameras

- Up to 32 channels
- Up to 4 HDDs or 16TB of storage
- Up to 160Mbps recording throughput
- Free CMS up to 128 channels remote live view
- Free P2P service, no more router settings
- One click setup
- HDMI, VGA dual video output
- RAID 0,1
- Supports 3rd party cameras



Technical Specifications

Camera

Model	D6530 5MP IR Motorized Dome IP Camera
Image sensor	1/1.8" 6MP CMOS sensor
Lens	F1.5, 3.6 - 10 mm motorized, P-iris lens
Angle of view	86° horizontal
Min illumination	0.05 lux @ F1.5 (color) 0.001 lux @ F1.5 (B/W) 0 lux (IR LED on)
Day/ Night function	Mechanical IR cut filter

Video

Video compression	Motion JPEG H.264 baseline/ main profile/ high profile H.265
Resolutions	1. 5MP Mode 2 profiles with 6 resolution from 2560 x 1920 to 640 x 360 2 profiles with 2 resolution from 640 x 480 to 640 x 360 2. 2MP Mode 2 profiles with 4 resolution from 1080 x 720 to 640 x 360 2 profiles with 2 resolution from 640 x 480 to 640 x 360
Frame rate	H.265/H.264: 60fps at 2MP mode, 30fps at 5MP mode Motion JPEG: up to 10 fps at 2560 x 1920 15fps at 2048 x 1536, 30fps at 1080p
Video streaming	Simultaneous Motion JPEG, H.264, H.265 Controllable frame rate and bandwidth Support unicast (Real Time Streaming Protocol)
Image settings	Rotation: mirror, flip, mirror flip WDR Brightness, contrast, saturation, sharpness Overlay capabilities: time, date, text and privacy Image ROI Corridor mode

Network

Security	Multiple user access levels with password protection, HTTPS encryption
Supported protocols	Bonjour, TCP/ IP, DHCP, DNS, DynDNS, PPPoE, ARP, ICMP, FTP, SMTP, NTP, UPnP, RTSP, RTP, RTCP, HTTP, HTTPS, SSL, TCP, UDP
Users	10 simultaneous users

Alarm and Event Support

Alarm and event management	Input: alarm input, motion detection, network link down, periodical Output: network storage, FTP, SMTP, HTTP event, alarm Pre and post event image
----------------------------	--

System

Connectors	RJ45 Ethernet 10/ 100 Base-T(with PoE) Reset push button DC 12V power supply Audio in & out Alarm in & out Micro-SD card slot
Software integration	ONVIF 2.4 & Profile S

General

Casing	Metal housing
Housing	IP66 rated weatherproof housing, IK10 vandal-proof
Power	12V DC, 1A PoE(Power over Ethernet) built-in IEEE 802.3af

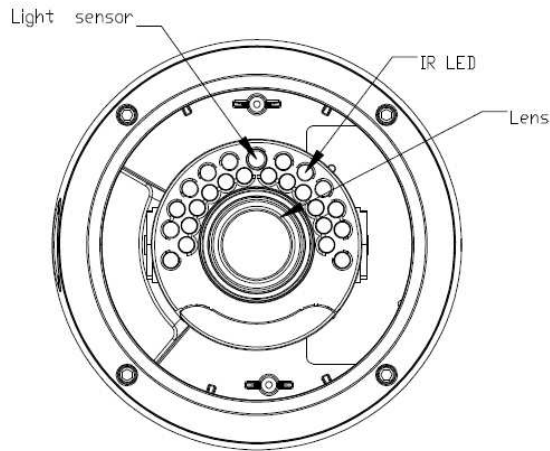
General

Operating conditions	Starting temperature: -10 ~ 50 °C (14 ~ 122 °F) Working temperature: -30 ~ 50 °C (-22 ~ 122 °F)
Installation, management, and maintenance	ZAVIO camera management tool on website and web-configuration. Configuration of backup and restore firmware upgrades over HTTP, firmware available at www.zavio.com
Minimum web browsing requirement	Intel Core i5 CPU @ 2.0GHz (or equivalent AMD) 512MB RAM graphic cards (or equivalent on-board graphic cards) 2GB RAM Windows 7 or later Mac OS Leopard 10.5 or later
Dimensions (HxWxD)	φ132x 122.3, incl. bracket
Weight	1050g excl. power supply
Included accessories	Quick installation guide, metal plate, and connector kits
Certification	CE, FCC, RoHS

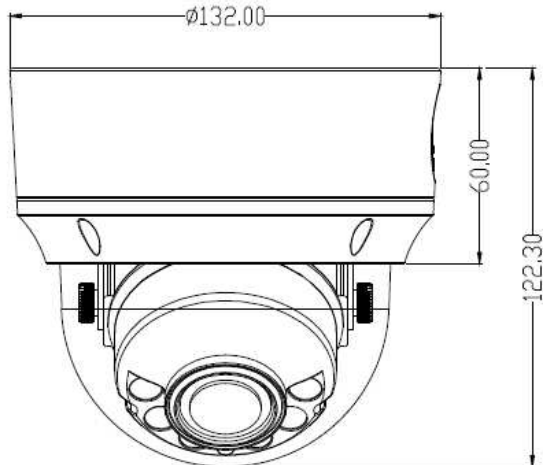
Integration

Video management software	ZAVIO CamGraba IP System software, for viewing, recording and archiving up to 64 cameras See http://www.zavio.com/softwaredownloads.php for more software application
---------------------------	---

Part Names and Functions



Dimensions



Unit: mm

